

Distributed by:

**JAMECO**<sup>®</sup>  
ELECTRONICS

**www.Jameco.com ♦ 1-800-831-4242**

The content and copyrights of the attached  
material are the property of its owner.

Jameco Part Number 496464



# Universal MATE-N-LOK Connectors (Continued)

## Housings

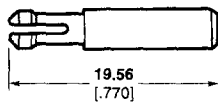
**In-Line and Matrix** (Free Hanging or Panel Mount)

**Centerline Spacing** — 6.35 [.250]  
**Contacts** — Order separately (see page 392)

**Material**  
Nylon (See chart at right)

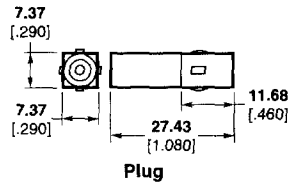
**Mating Headers**  
See pages 389, 390 and 391

### Keying Plug

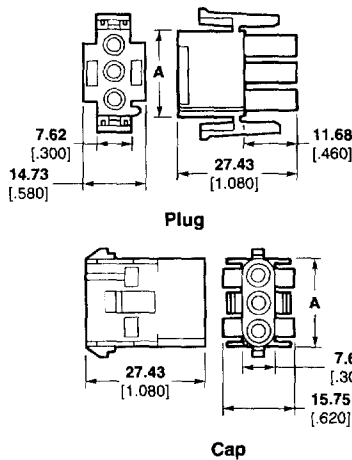


**Part Numbers**  
UL 94V-2 Nylon material, natural color — **1-640415-1**  
UL 94V-0 Nylon material — **1-640415-0**  
**Note:** Keying plug snaps into plug or cap housing

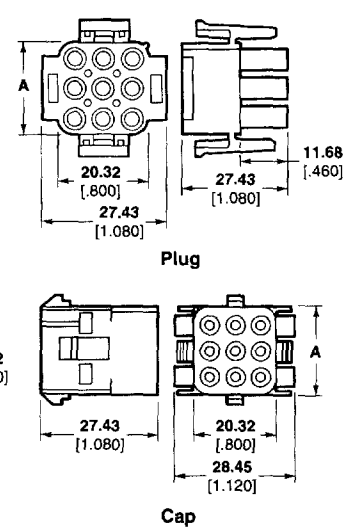
### 1 Circuit (Free Hanging)



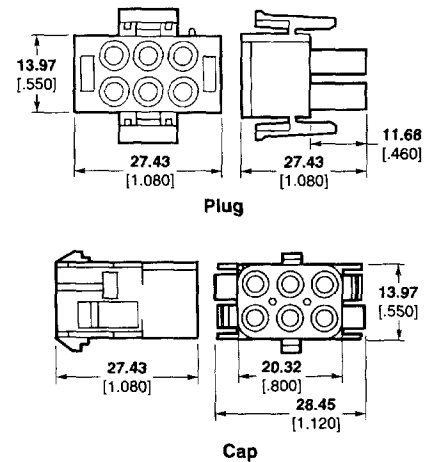
### 2, 3, 4, 5, 6, 8 Circuit In-Line



### 9, 12, 15 Circuit Matrix



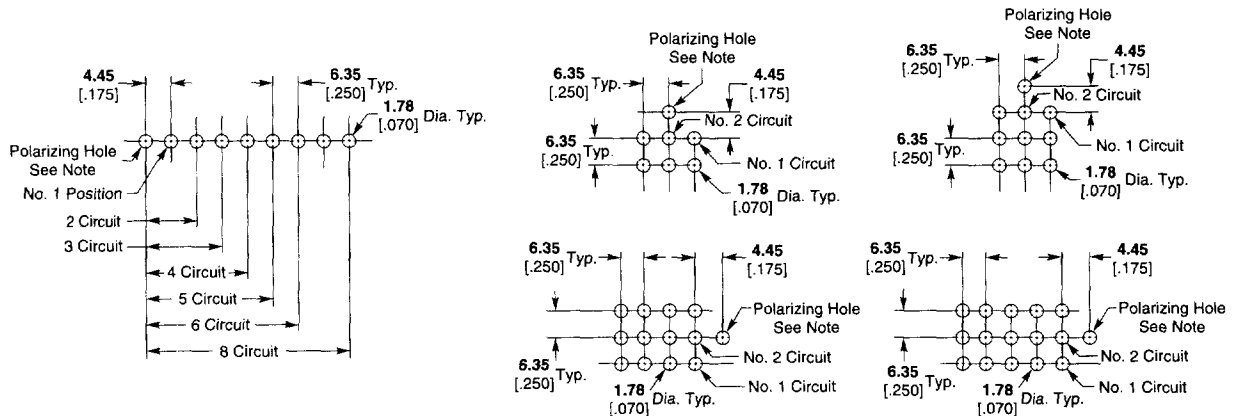
### 6 Circuit Matrix



No. of Circuits	Dim A	Part Numbers			
		UL 94V-2 Nylon		UL 94V-0 Nylon	
		Plug	Cap	Plug	Cap
1	—	1-350867-0	1-770421-1	350865-1	350866-1
2	13.97 [.550]	1-480698-0 <sup>1</sup>	1-480699-0 <sup>1</sup>	350777-1 <sup>1</sup>	350778-1 <sup>1</sup>
3	20.32 [.800]	1-480700-0 <sup>1</sup>	1-480701-0 <sup>1</sup>	350766-1 <sup>1</sup>	350767-1 <sup>1</sup>
4	26.67 [1.050]	1-480702-0 <sup>1</sup>	1-480703-0 <sup>1</sup>	350779-1 <sup>1</sup>	350780-1 <sup>1</sup>
5	33.02 [1.300]	1-480763-0 <sup>1</sup>	1-480764-0 <sup>1</sup>	350809-1 <sup>1</sup>	350810-1 <sup>1</sup>
6	39.37 [1.550]	640585-1 <sup>1</sup>	1-926307-1 <sup>1</sup>	640581-1 <sup>1</sup>	350781-1
	—	1-480704-0	1-480705-0	350715-1	350781-1
8	52.07 [2.050]	1-640586-1 <sup>1</sup>	1-926308-1 <sup>1</sup>	640582-1 <sup>1</sup>	926308-3 <sup>1</sup>
9	20.32 [.800]	1-480706-0	1-480707-0	350720-1	350782-1
12	26.67 [1.050]	1-480708-0	1-480709-0	350735-1	350783-1
15	33.02 [1.300]	1-480710-0	1-480711-0	350736-1	350784-1

<sup>1</sup> In-Line style

## Recommended PC Board Hole Layout for Pin and Socket Vertical Headers



**Note:** Polarizing hole 1.78 [.070] Dia. required for polarized headers only.