

# SN54279, SN54LS279A, SN74279, SN74LS279A QUADRUPLE S-R LATCHES

SDLS093 – DECEMBER 1983 – REVISED MARCH 1988

- Package Options Include Plastic "Small Outline" Packages, Ceramic Chip Carriers and Flat Packages, and Plastic and Ceramic DIPs

- Dependable Texas Instruments Quality and Reliability

## description

The '279 offers 4 basic  $\bar{S}$ - $\bar{R}$  flip-flop latches in one 16-pin, 300-mil package. Under conventional operation, the  $\bar{S}$ - $\bar{R}$  inputs are normally held high. When the  $\bar{S}$  input is pulsed low, the Q output will be set high. When  $\bar{R}$  is pulsed low, the Q output will be reset low. Normally, the  $\bar{S}$ - $\bar{R}$  inputs should not be taken low simultaneously. The Q output will be unpredictable in this condition.

**FUNCTION TABLE**  
(each latch)

INPUTS		OUTPUT
$\bar{S}^\dagger$	$\bar{R}$	Q
H	H	$Q_0$
L	H	H
H	L	L
L	L	$H^\ddagger$

H = high level      L = low level

$^\dagger$ For latches with double S inputs:

$Q_0$  = the level of Q before the indicated input conditions were established.

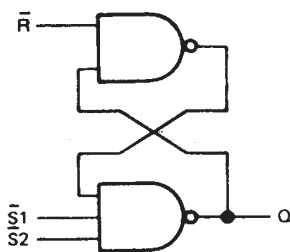
$^\ddagger$  This configuration is nonstable: that is, it may not persist when the  $\bar{S}$  and  $\bar{R}$  inputs return to their inactive (high) level.

H = both  $\bar{S}$  inputs high

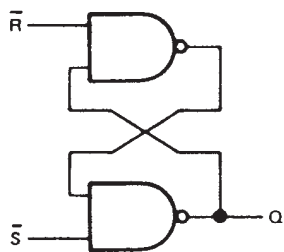
L = one or both  $\bar{S}$  inputs low

## logic diagram (positive logic)

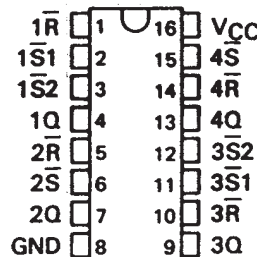
(latches 1 and 3)



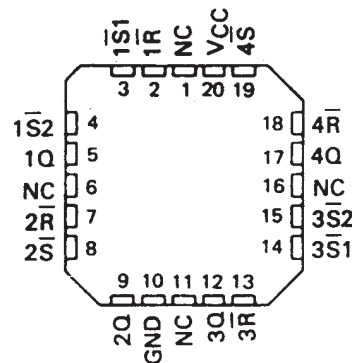
(latches 2 and 4)



SN54279, SN54LS279A . . . J OR W PACKAGE  
SN74279 . . . N PACKAGE  
SN74LS279A . . . D OR N PACKAGE  
(TOP VIEW)

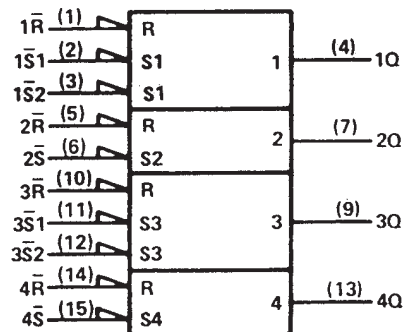


SN54LS279A . . . FK PACKAGE  
(TOP VIEW)



NC - No internal connection

## logic symbol<sup>§</sup>



<sup>§</sup>This symbol is in accordance with ANSI/IEEE Std. 91-1984 and IEC Publication 617-12.

Pin numbers shown are for D, J, N, and W packages.

PRODUCTION DATA information is current as of publication date. Products conform to specifications per the terms of Texas Instruments standard warranty. Production processing does not necessarily include testing of all parameters.

**TEXAS  
INSTRUMENTS**

POST OFFICE BOX 655303 • DALLAS, TEXAS 75265

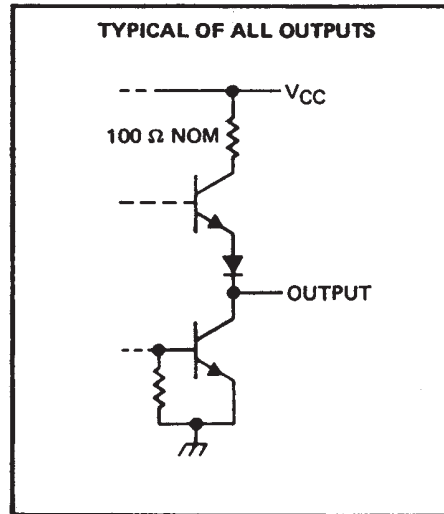
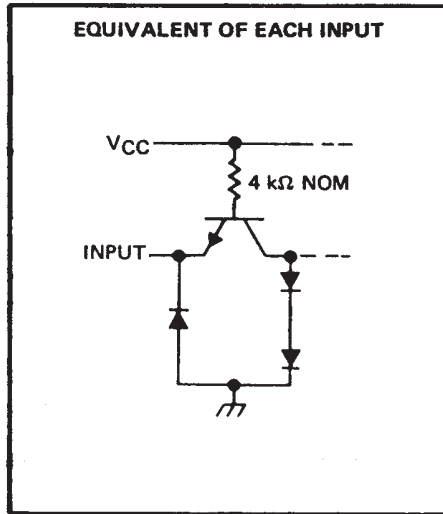
Copyright © 1988, Texas Instruments Incorporated

# SN54279, SN54LS279A, SN74279, SN74LS279A QUADRUPLE S-R LATCHES

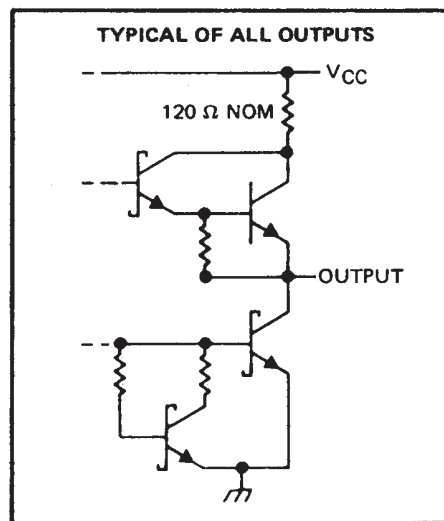
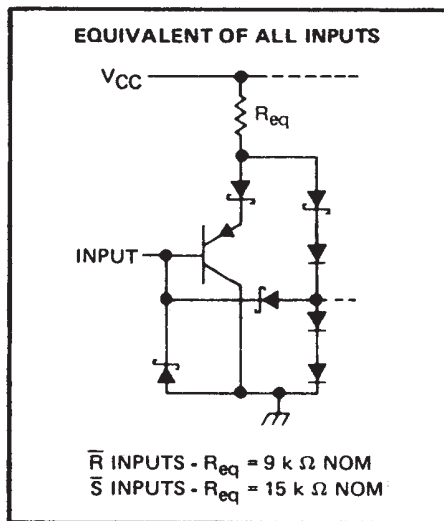
SDLS093 – DECEMBER 1983 – REVISED MARCH 1988

## schematics of inputs and outputs

### '279 CIRCUITS



### 'LS279A CIRCUITS



### absolute maximum ratings over operating free-air temperature range (unless otherwise noted)

Supply voltage, $V_{CC}$ (see Note 1) .....	7 V
Input voltage: '279 .....	5.5 V
'LS279A .....	7 V
Operating free-air temperature range: SN54' TYPES .....	- 55° C to 125° C
SN74' TYPES .....	0° C to 70° C
Storage temperature range .....	- 65° C to 150° C

NOTE 1: Voltage values are with respect to network ground terminal.



POST OFFICE BOX 655303 • DALLAS, TEXAS 75265

# SN54279, SN54LS279A, SN74279, SN74LS279A QUADRUPLE S-R LATCHES

SDLS093 – DECEMBER 1983 – REVISED MARCH 1988

## recommended operating conditions

	SN54279			SN74279			UNIT
	MIN	NOM	MAX	MIN	NOM	MAX	
V <sub>CC</sub> Supply voltage	4.5	5	5.5	4.75	5	5.25	V
V <sub>IH</sub> High-level input voltage	2			2			V
V <sub>IL</sub> Low-level input voltage	0.8			0.8			V
I <sub>OH</sub> High-level output current	-0.8			-0.8			mA
I <sub>OL</sub> Low-level output current	16			16			mA
t <sub>w</sub> Pulse duration, low	20			20			ns
T <sub>A</sub> Operating free-air temperature	-55			125			°C

## electrical characteristics over recommended operating free-air temperature range (unless otherwise noted)

PARAMETER	TEST CONDITIONS†	SN54279			SN74279			UNIT
		MIN	TYP‡	MAX	MIN	TYP‡	MAX	
V <sub>IK</sub>	V <sub>CC</sub> = MIN, I <sub>I</sub> = -12 mA	-1.5			-1.5			V
V <sub>OH</sub>	V <sub>CC</sub> = MIN, V <sub>IL</sub> = 0.8 V, I <sub>OH</sub> = -0.8 mA	2.4	3.4		2.4	3.4	V	
V <sub>OL</sub>	V <sub>CC</sub> = MIN, V <sub>IH</sub> = 2 V, I <sub>OL</sub> = 16 mA	0.2	0.4		0.2	0.4	V	
I <sub>I</sub>	V <sub>CC</sub> = MAX, V <sub>I</sub> = 5.5 V	1			1			mA
I <sub>IH</sub>	V <sub>CC</sub> = MAX, V <sub>I</sub> = 2.4 V	40			40			μA
I <sub>IL</sub>	V <sub>CC</sub> = MAX, V <sub>I</sub> = 0.4 V	-1.6			-1.6			mA
I <sub>OS</sub> §	V <sub>CC</sub> = MAX	-18		-55	-18		-57	mA
I <sub>CC</sub>	V <sub>CC</sub> = MAX, See Note 2	18		30	18		30	mA

† For conditions shown as MIN or MAX, use the appropriate value specified under recommended operating conditions.

‡ All typical values are at V<sub>CC</sub> = 5 V, T<sub>A</sub> = 25°C.

§ Not more than one output should be shorted at a time.

NOTE 2: I<sub>CC</sub> is measured with all R inputs grounded, all S inputs at 4.5 V, and all outputs open.

## switching characteristics, V<sub>CC</sub> = 5 V, T<sub>A</sub> = 25°C (see note 3)

PARAMETER	FROM (INPUT)	TO (OUTPUT)	TEST CONDITIONS	MIN	TYP	MAX	UNIT
t <sub>PLH</sub>	$\bar{S}$	Q	R <sub>L</sub> = 400 Ω, C <sub>L</sub> = 15 pF		12	22	ns
t <sub>PHL</sub>	$\bar{R}$	Q			9	15	
t <sub>PHL</sub>	$\bar{R}$	Q			15	27	ns

NOTE 3: Load circuits and voltage waveforms are shown in Section 1.

# SN54279, SN54LS279A, SN74279, SN74LS279A QUADRUPLE S-R LATCHES

SDLS093 – DECEMBER 1983 – REVISED MARCH 1988

## recommended operating conditions

	SN54LS279A			SN74LS279A			UNIT
	MIN	NOM	MAX	MIN	NOM	MAX	
V <sub>CC</sub> Supply voltage	4.5	5	5.5	4.75	5	5.25	V
V <sub>IH</sub> High-level input voltage	2			2			V
V <sub>IL</sub> Low-level input voltage			0.7			0.8	V
I <sub>OH</sub> High-level output current			-0.4			-0.4	mA
I <sub>OL</sub> Low-level output current			4			8	mA
t <sub>w</sub> Pulse duration, low	20			20			ns
T <sub>A</sub> Operating free-air temperature	-55		125	0		70	°C

## electrical characteristics over recommended operating free-air temperature range (unless otherwise noted)

PARAMETER	TEST CONDITIONS†	SN54LS279A			SN74LS279A			UNIT
		MIN	TYP‡	MAX	MIN	TYP‡	MAX	
V <sub>IK</sub>	V <sub>CC</sub> = MIN, I <sub>I</sub> = -18 mA			-1.5			-1.5	V
V <sub>OH</sub>	V <sub>CC</sub> = MIN, V <sub>IL</sub> = MAX, I <sub>OH</sub> = -0.4 mA	2.5	3.4		2.7	3.4		V
V <sub>OL</sub>	V <sub>CC</sub> = MIN, V <sub>IH</sub> = 2 V, I <sub>OL</sub> = 4 mA		0.25	0.4		0.25	0.4	V
	V <sub>CC</sub> = MIN, V <sub>IH</sub> = 2 V, I <sub>OL</sub> = 8 mA					0.25	0.5	
I <sub>I</sub>	V <sub>CC</sub> = MAX, V <sub>I</sub> = 7 V			0.1			0.1	mA
I <sub>IH</sub>	V <sub>CC</sub> = MAX, V <sub>I</sub> = 2.7 V			20			20	μA
I <sub>IL</sub>	V <sub>CC</sub> = MAX, V <sub>I</sub> = 0.4 V			-0.2			-0.2	mA
I <sub>OS</sub> §	V <sub>CC</sub> = MAX	-20		-100	-20		-100	mA
I <sub>CC</sub>	V <sub>CC</sub> = MAX, See note 2		3.8	7		3.8	7	mA

† For conditions shown as MIN or MAX, use the appropriate value specified under recommended operating conditions.

‡ All typical values are at V<sub>CC</sub> = 5 V, T<sub>A</sub> = 25°C.

§ Not more than one output should be shorted at a time, and the duration of the short-circuit should be less than one second.

NOTE 2: I<sub>CC</sub> is measured with all R inputs grounded, all S inputs at 4.5 V, and all outputs open.

## switching characteristics, V<sub>CC</sub> = 5 V, T<sub>A</sub> = 25°C (see note 3)

PARAMETER	FROM (INPUT)	TO (OUTPUT)	TEST CONDITIONS	MIN	TYP	MAX	UNIT
t <sub>PLH</sub>	S	Q	R <sub>L</sub> = 2 kΩ, C <sub>L</sub> = 15 pF		12	22	ns
t <sub>PHL</sub>					13	21	
t <sub>PHL</sub>	R	Q			15	27	ns

NOTE 3: Load circuits and voltage waveforms are shown in Section 1.



## **IMPORTANT NOTICE**

Texas Instruments and its subsidiaries (TI) reserve the right to make changes to their products or to discontinue any product or service without notice, and advise customers to obtain the latest version of relevant information to verify, before placing orders, that information being relied on is current and complete. All products are sold subject to the terms and conditions of sale supplied at the time of order acknowledgement, including those pertaining to warranty, patent infringement, and limitation of liability.

TI warrants performance of its semiconductor products to the specifications applicable at the time of sale in accordance with TI's standard warranty. Testing and other quality control techniques are utilized to the extent TI deems necessary to support this warranty. Specific testing of all parameters of each device is not necessarily performed, except those mandated by government requirements.

**CERTAIN APPLICATIONS USING SEMICONDUCTOR PRODUCTS MAY INVOLVE POTENTIAL RISKS OF DEATH, PERSONAL INJURY, OR SEVERE PROPERTY OR ENVIRONMENTAL DAMAGE ("CRITICAL APPLICATIONS"). TI SEMICONDUCTOR PRODUCTS ARE NOT DESIGNED, AUTHORIZED, OR WARRANTED TO BE SUITABLE FOR USE IN LIFE-SUPPORT DEVICES OR SYSTEMS OR OTHER CRITICAL APPLICATIONS. INCLUSION OF TI PRODUCTS IN SUCH APPLICATIONS IS UNDERSTOOD TO BE FULLY AT THE CUSTOMER'S RISK.**

In order to minimize risks associated with the customer's applications, adequate design and operating safeguards must be provided by the customer to minimize inherent or procedural hazards.

TI assumes no liability for applications assistance or customer product design. TI does not warrant or represent that any license, either express or implied, is granted under any patent right, copyright, mask work right, or other intellectual property right of TI covering or relating to any combination, machine, or process in which such semiconductor products or services might be or are used. TI's publication of information regarding any third party's products or services does not constitute TI's approval, warranty or endorsement thereof.