

Distributed by:

JAMECO[®]
ELECTRONICS

www.Jameco.com ♦ 1-800-831-4242

The content and copyrights of the attached
material are the property of its owner.

Jameco Part Number 50665NSC

T-43-15-00



5486/DM5486/DM7486

Quad 2-Input Exclusive-OR Gates

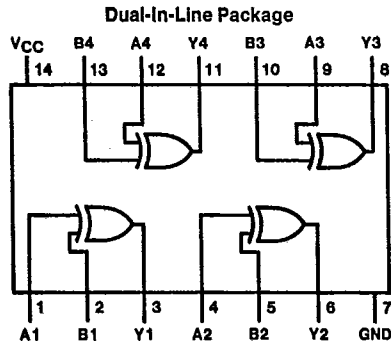
General Description

This device contains four independent gates each of which performs the logic exclusive-OR function.

Features

- Alternate Military/Aerospace device (5486) is available. Contact a National Semiconductor Sales Office/Distributor for specifications.

Connection Diagram



TL/F/6531-1

Order Number 5486DMQB, 5486FMQB, DM5486J, DM5486W or DM7486N
See NS Package Number J14A, N14A or W14B

Function Table

$$Y = A \oplus B$$

Inputs		Output
A	B	Y
L	L	L
L	H	H
H	L	H
H	H	L

H = High Logic Level
L = Low Logic Level

4

T-43-15

Absolute Maximum Ratings (Note)

If Military/Aerospace specified devices are required, please contact the National Semiconductor Sales Office/Distributors for availability and specifications.

Supply Voltage	7V
Input Voltage	5.5V
Operating Free Air Temperature Range	
DM54 and 54	-55°C to +125°C
DM74	0°C to +70°C
Storage Temperature Range	-65°C to +150°C

Note: The "Absolute Maximum Ratings" are those values beyond which the safety of the device cannot be guaranteed. The device should not be operated at these limits. The parametric values defined in the "Electrical Characteristics" table are not guaranteed at the absolute maximum ratings. The "Recommended Operating Conditions" table will define the conditions for actual device operation.

Recommended Operating Conditions

Symbol	Parameter	DM5486			DM7486			Units
		Min	Nom	Max	Min	Nom	Max	
V _{CC}	Supply Voltage	4.5	5	5.5	4.75	5	5.25	V
V _{IH}	High Level Input Voltage	2			2			V
V _{IL}	Low Level Input Voltage			0.8			0.8	V
I _{OH}	High Level Output Current			-0.8			-0.8	mA
I _{OL}	Low Level Output Current			16			16	mA
T _A	Free Air Operating Temperature	-55		125	0		70	°C

Electrical Characteristics

over recommended operating free air temperature range (unless otherwise noted)

Symbol	Parameter	Conditions	Min	Typ (Note 1)	Max	Units	
V _I	Input Clamp Voltage	V _{CC} = Min, I _I = -12 mA			-1.5	V	
V _{OH}	High Level Output Voltage	V _{CC} = Min, I _{OH} = Max V _{IL} = Max, V _{IH} = Min	2.4	3.4		V	
V _{OL}	Low Level Output Voltage	V _{CC} = Min, I _{OL} = Max V _{IH} = Min, V _{IL} = Max		0.2	0.4	V	
I _I	Input Current @ Max Input Voltage	V _{CC} = Max, V _I = 5.5V			1	mA	
I _{IH}	High Level Input Current	V _{CC} = Max, V _I = 2.4V			40	μA	
I _{IL}	Low Level Input Current	V _{CC} = Max, V _I = 0.4V			-1.6	mA	
I _{OS}	Short Circuit Output Current	V _{CC} = Max (Note 2)	DM54	-20		-55	mA
			DM74	-18		-55	
I _{CCH}	Supply Current with Outputs High	V _{CC} = Max (Note 3)	DM54		30	43	mA
			DM74		30	50	
I _{CCL}	Supply Current with Outputs Low	V _{CC} = Max (Note 4)		36	57	mA	

- Note 1: All typicals are at V_{CC} = 5V, T_A = 25°C.
- Note 2: Not more than one output should be shorted at a time.
- Note 3: I_{CCH} is measured with all outputs open, one input of each gate at 4.5V, and the other inputs grounded.
- Note 4: I_{CCL} is measured with all outputs open, and all inputs at ground.

Switching Characteristics at $V_{CC} = 5V$ and $T_A = 25^\circ C$ (See Section 1 for Test Waveforms and Output Load)

Symbol	Parameter	Conditions	$C_L = 15\text{ pF}$ $R_L = 400\Omega$		Units
			Min	Max	
t_{PLH}	Propagation Delay Time Low to High Level Output	Other Input Low		23	ns
t_{PHL}	Propagation Delay Time High to Low Level Output			17	ns
t_{PLH}	Propagation Delay Time Low to High Level Output	Other Input High		30	ns
t_{PHL}	Propagation Delay Time High to Low Level Output			22	ns