

Distributed by:

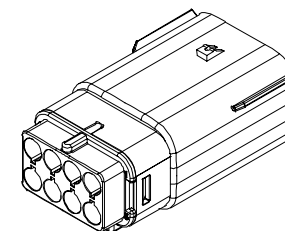
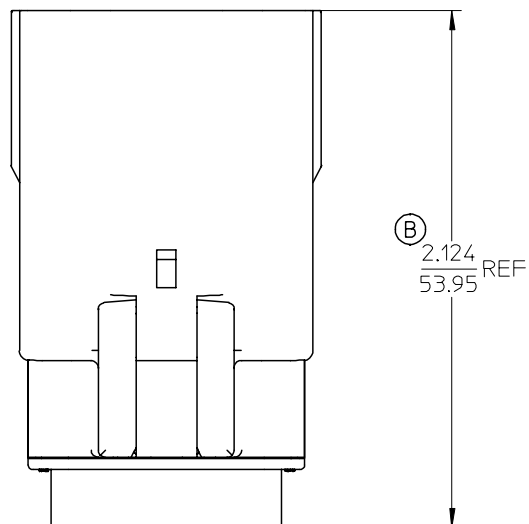
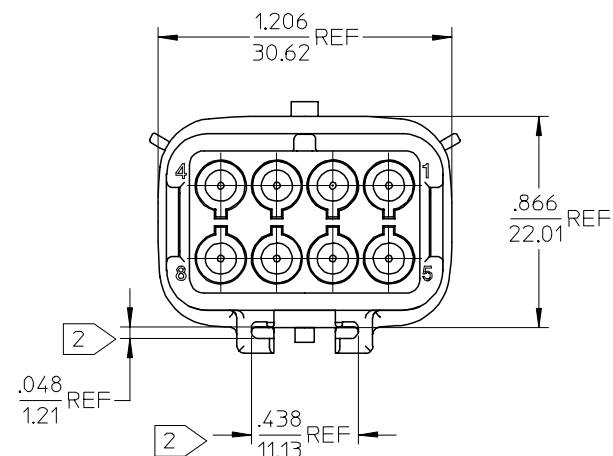
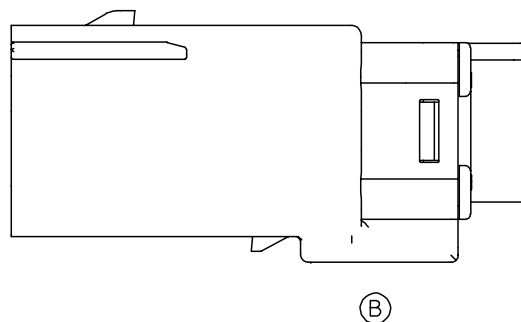
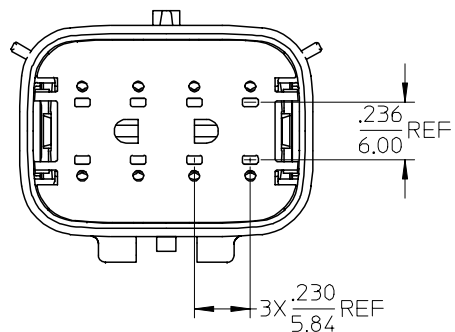
**JAMECO**<sup>®</sup>  
ELECTRONICS

**www.Jameco.com ♦ 1-800-831-4242**

The content and copyrights of the attached  
material are the property of its owner.

Jameco Part Number 518272

10 9 8 7 6 5 4 3 2 19419



ASSEMBLED VIEW  
SCALE 1:1

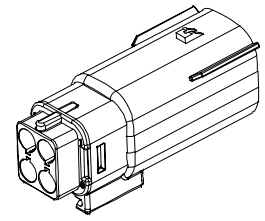
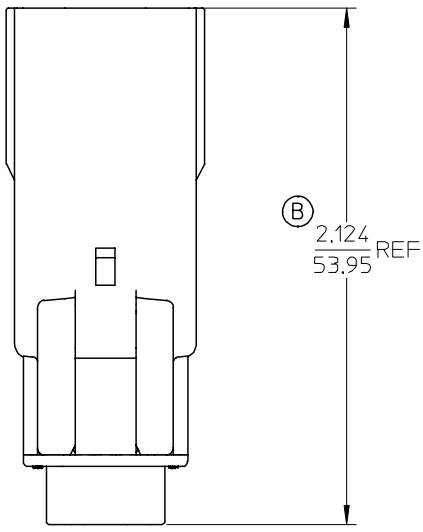
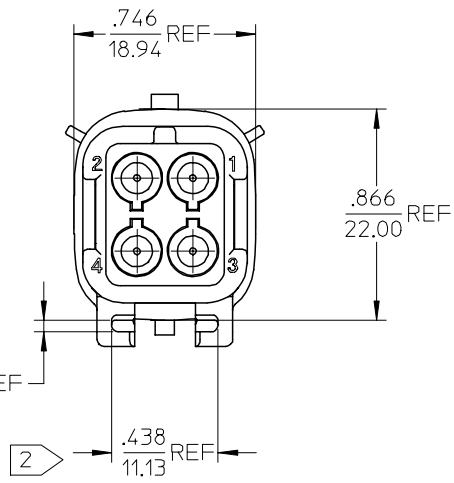
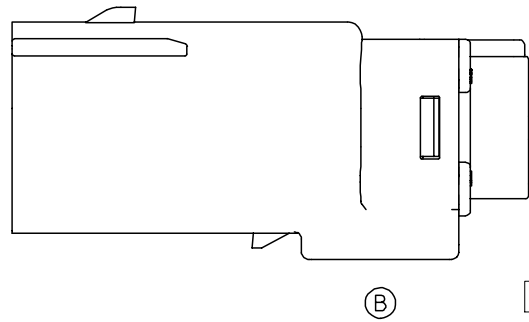
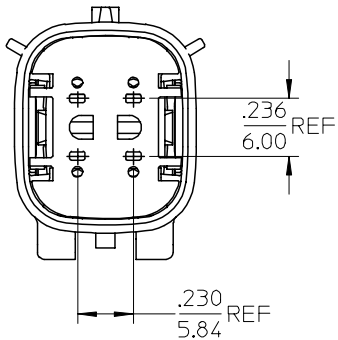
194190002	8	16-14
194190001	8	22-18
MATERIAL NUMBER	CIRCUIT SIZE	UL WIRE AWG

NOTES:

1. ASSEMBLY BULK PACKAGED PER PK-19419-001
2. MOUNTING SLOT DIMENSIONS.
3. USE CONNECTOR WITH MALE CRIMP TERMINAL: SERIES 19417.

EC NO: ETC2004-0202 DRWN:DMYRICK 2004/06/03 CHKD:JPAWLIC 2004/06/03 APPR:JPAWLIC 2004/06/03	QUALITY SYMBOLS	GENERAL TOLERANCES (UNLESS SPECIFIED)		SCALE 2:1	DESIGN UNITS INCH	THIRD ANGLE PROJECTION	REVISE ON CAD ONLY
	▼ = 0 ∇ = 0	4 PLACES ± --- ± --- 3 PLACES ± --- ± .005 2 PLACES ± 0.13 ± .01 1 PLACE ± 0.25 ± --- ANGULAR ± 1/2°	mm INCH DIMENSION STYLE IN/MM	DRAWN BY B.RUPERT CHECKED BY J.PAWLIC APPROVED BY R.DEROSS	DATE 12/06/02 DATE 12/06/02 DATE 12/06/02	TITLE 8 WAY PLUG ASSEMBLY MOLEX INCORPORATED	
REV B	DESCRIPTION	DRAFT WHERE APPLICABLE MUST REMAIN WITHIN DIMENSIONS		MATERIAL NO. SEE CHART DOCUMENT NO. SD-19419-003		SHEET NO. 1 OF 1	
				THIS DRAWING CONTAINS INFORMATION THAT IS PROPRIETARY TO MOLEX INCORPORATED AND SHOULD NOT BE USED WITHOUT WRITTEN PERMISSION			

8 7 6 5 4 3 2 1

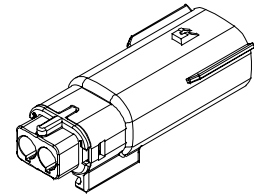
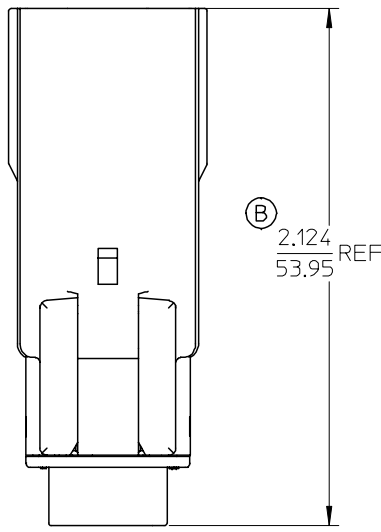
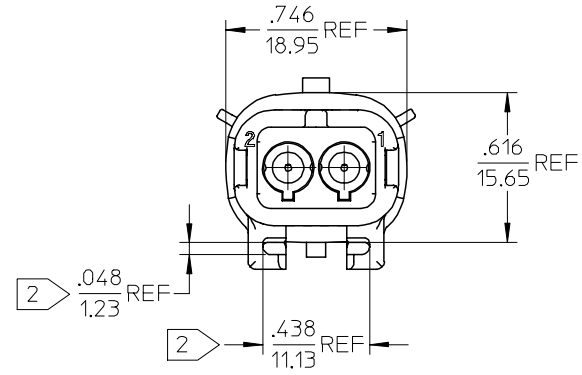
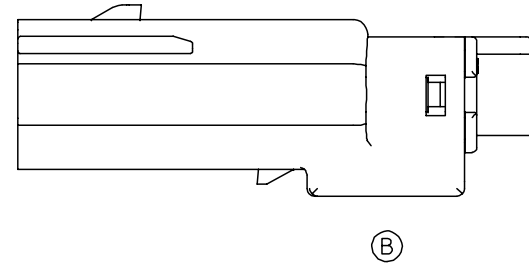
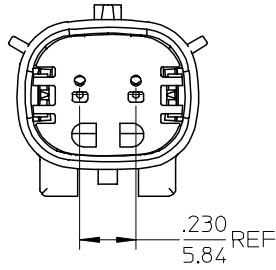


ASSEMBLED VIEW  
SCALE 1:1

194190004	4	16-14
194190005	4	22-18
MATERIAL NUMBER	CIRCUIT SIZE	UL WIRE AWG

EC NO: ETC2004-0202 DRWN:DMYRICK 2004/06/03 CHKD:JPAWLIC 2004/06/03 APPR:JPAWLIC 2004/06/03	QUALITY SYMBOLS	GENERAL TOLERANCES (UNLESS SPECIFIED)		SCALE 2:1	DESIGN UNITS INCH	THIRD ANGLE PROJECTION	REVISE ON CAD ONLY
	DESCRIPTION	mm	INCH	DIMENSION STYLE IN/MM		TITLE 4 WAY PLUG ASSEMBLY	
REV	▽ = 0	4 PLACES ± --- ± ---		DRAWN BY B.RUPERT	DATE 11/07/02	MATERIAL NO. SEE CHART	
	▽C = 0	3 PLACES ± --- ± .005		CHECKED BY J.PAWLIC	DATE 11/08/02	DOCUMENT NO. SD-19419-001	
		2 PLACES ± 0.13 ± .01		APPROVED BY R.DEROSS		DATE 11/08/02	SHEET NO. 1 OF 1
		1 PLACE ± 0.25 ± ---		THIS DRAWING CONTAINS INFORMATION THAT IS PROPRIETARY TO MOLEX INCORPORATED AND SHOULD NOT BE USED WITHOUT WRITTEN PERMISSION			
		ANGULAR ± 1/2°					
		DRAFT WHERE APPLICABLE					
		MUST REMAIN WITHIN DIMENSIONS					

- NOTES:
- ASSEMBLY BULK PACKAGED PER PK-19419-001.
  - MOUNTING SLOT DIMENSIONS.
  - USE CONNECTOR WITH MALE CRIMP TERMINAL: SERIES 19417.

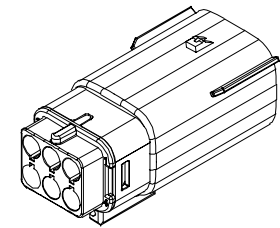
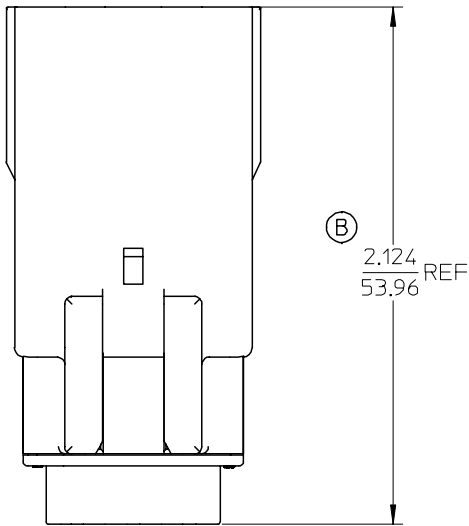
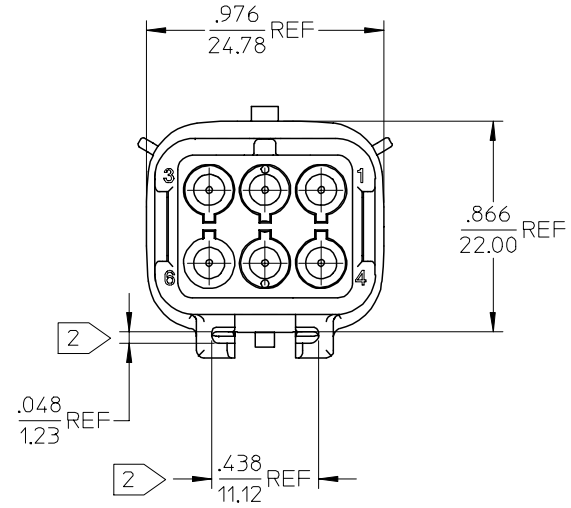
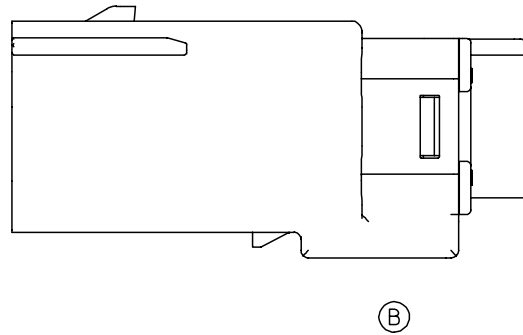
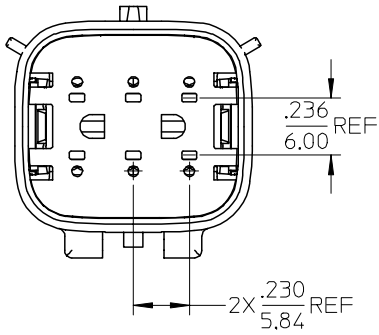


ASSEMBLED VIEW  
SCALE 1:1

- NOTES:
1. ASSEMBLY BULK PACKAGED PER PK-19419-001.
  2. MOUNTING SLOT DIMENSIONS.
  3. USE CONNECTOR WITH MALE CRIMP TERMINAL: SERIES 19417.

194190007	2	16-14
194190008	2	22-18
MATERIAL NUMBER	CIRCUIT SIZE	UL WIRE AWG

EC NO: ETC2004-0202 DRWN:DMYRICK 2004/06/03 CHKD:JPAWLIC 2004/06/03 APPR:JPAWLIC 2004/06/03	QUALITY SYMBOLS	GENERAL TOLERANCES (UNLESS SPECIFIED)		SCALE 2:1	DESIGN UNITS INCH	THIRD ANGLE PROJECTION	REVISE ON CAD ONLY	
	DESCRIPTION ▼ = 0 ∇ = 0	4 PLACES	mm	INCH	DIMENSION STYLE IN/MM		TITLE 2 WAY PLUG ASSEMBLY	
		3 PLACES	± ---	± ---	DRAWN BY B.RUPERT	DATE 12/05/02	MATERIAL NO. SEE CHART	
		2 PLACES	± 0.13	± .01	CHECKED BY J.PAWLIC	DATE 12/06/02	DOCUMENT NO. SD-19419-002	SHEET NO. 1 OF 1
	1 PLACE	± 0.25	± ---	APPROVED BY R.DEROSS	DATE 12/06/02	THIS DRAWING CONTAINS INFORMATION THAT IS PROPRIETARY TO MOLEX INCORPORATED AND SHOULD NOT BE USED WITHOUT WRITTEN PERMISSION		
		ANGULAR ±1/2°		DRAFT WHERE APPLICABLE				
		MUST REMAIN WITHIN DIMENSIONS						



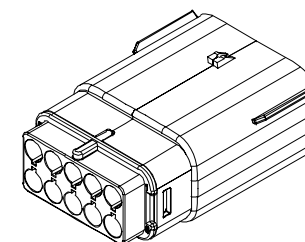
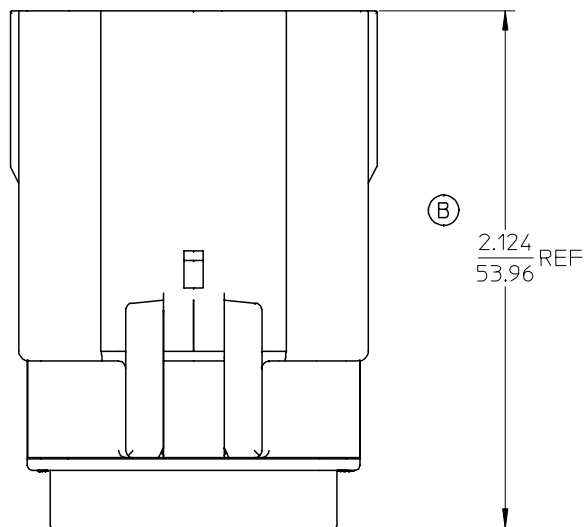
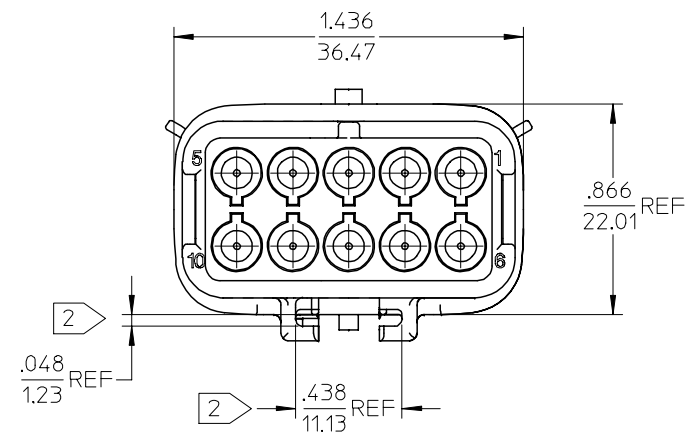
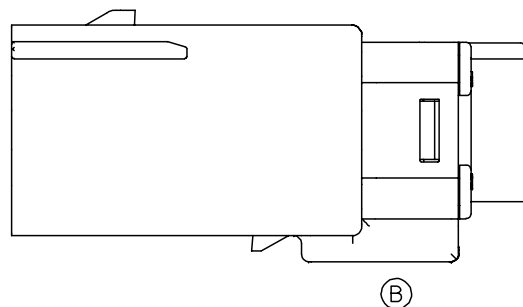
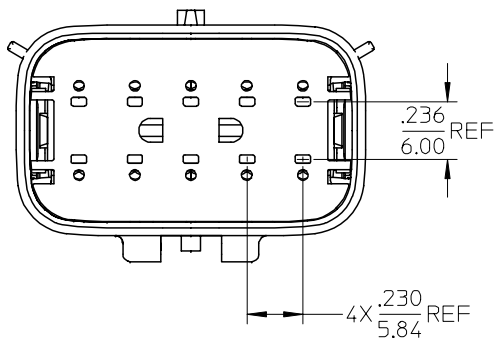
ASSEMBLED VIEW  
SCALE 1:1

194190011	6	16-14
194190012	6	22-18
MATERIAL NUMBER	CIRCUIT SIZE	UL WIRE AWG

NOTES:

1. ASSEMBLY BULK PACKAGED PER PK-19419-001
2. MOUNTING SLOT DIMENSIONS.
3. USE CONNECTOR WITH MALE CRIMP TERMINAL: SERIES 19417.

EC NO: ETC2004-0202 DRWN:DMYRICK 2004/06/03 CHKD:JPAWLIC 2004/06/03 APPR:JPAWLIC 2004/06/03	QUALITY SYMBOLS	GENERAL TOLERANCES (UNLESS SPECIFIED)		SCALE 2:1	DESIGN UNITS INCH	THIRD ANGLE PROJECTION	REVISE ON CAD ONLY
	DESCRIPTION	mm	INCH	DIMENSION STYLE IN/MM		TITLE 6 WAY PLUG ASSEMBLY	
REV B	▽ = 0	4 PLACES ± --- ± ---		DRAWN BY B.RUPERT	DATE 01/17/03	MATERIAL NO. SEE CHART	
	▽C = 0	3 PLACES ± --- ± .005		CHECKED BY J.PAWLIC	DATE 01/20/03	DOCUMENT NO. SD-19419-004	SHEET NO. 1 OF 1
		2 PLACES ± 0.13 ± .01		APPROVED BY R.DEROSS	DATE 01/20/03	THIS DRAWING CONTAINS INFORMATION THAT IS PROPRIETARY TO MOLEX INCORPORATED AND SHOULD NOT BE USED WITHOUT WRITTEN PERMISSION	
		1 PLACE ± 0.25 ± ---		MUST REMAIN WITHIN DIMENSIONS			



ASSEMBLED VIEW  
SCALE 1:1

NOTES:

1. ASSEMBLY BULK PACKAGED PER PK-19419-001
2. MOUNTING SLOT DIMENSIONS.
3. USE CONNECTOR WITH MALE CRIMP TERMINAL: SERIES 19417.

194190014	10	16-14
194190015	10	22-18
MATERIAL NUMBER	CIRCUIT SIZE	UL WIRE AWG

EC NO: ETC2004-0202 DRWN:DMYRICK 2004/06/03 CHKD:JPAWLIC 2004/06/03 APPR:JPAWLIC 2004/06/03	QUALITY SYMBOLS	GENERAL TOLERANCES (UNLESS SPECIFIED)		SCALE 2:1	DESIGN UNITS INCH	THIRD ANGLE PROJECTION	REVISE ON CAD ONLY	
	DESCRIPTION ▼ = 0 ▽ = 0	4 PLACES	mm	INCH	DIMENSION STYLE IN/MM		TITLE 10 WAY PLUG ASSEMBLY	
		3 PLACES	± ---	± ---	DRAWN BY B.RUPERT	DATE 01/17/03	MATERIAL NO. SEE CHART	
		2 PLACES	± 0.13	± .01	CHECKED BY J.PAWLIC	DATE 01/20/03	DOCUMENT NO. SD-19419-005	SHEET NO. 1 OF 1
	1 PLACE	± 0.25	± ---	APPROVED BY R.DEROSS	DATE 01/20/03	MATERIAL NO. SEE CHART		
		ANGULAR ±1/2°		MATERIAL NO. SEE CHART				
		DRAFT WHERE APPLICABLE		MATERIAL NO. SEE CHART				
		MUST REMAIN WITHIN DIMENSIONS		MATERIAL NO. SEE CHART				
				THIS DRAWING CONTAINS INFORMATION THAT IS PROPRIETARY TO MOLEX INCORPORATED AND SHOULD NOT BE USED WITHOUT WRITTEN PERMISSION				



# MX150/MX150L ASSEMBLY INSTRUCTIONS

## RECEPTACLE ASSEMBLY

### TERMINAL INSERTION

1. Begin assembly of the crimped female terminals into the receptacle housing by making sure the Terminal Position Assurance feature (TPA) is in the pre-locked position (See Figure 1). If it is not, insert the blade of a screwdriver into the slots in the TPA found adjacent to latch or opposite. Apply slight pressure and pry the TPA out until it clicks. You are now ready to insert terminals or circuit plugs.

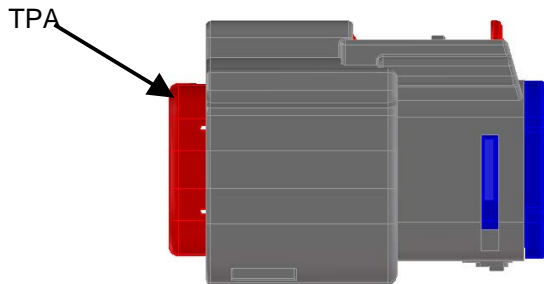


Figure 1: TPA in Pre-Lock Position

2. The terminal must be positioned correctly when inserted into the housing to assure proper latching and retention. Orient the key on the back of the female terminal with the keyway on the wire entry cavity in the rear of the housing (See Figure 2). Insert the terminal into the housing until it clicks or a slight pull back on the wire is met with resistance from terminal retention feature.

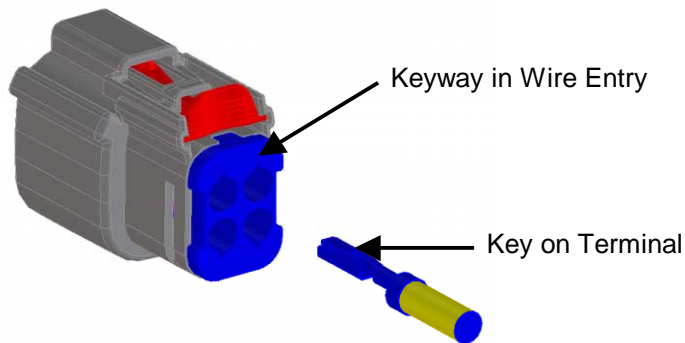


Figure 2: Terminal Orientation

REVISION: <b>A</b>	EGR/ECN INFORMATION: EC No: ETC2004-0125 DATE: 2003 / 12 / 17	TITLE: <b>ASSEMBLY INSTRUCTIONS FOR MX150 &amp; MX150L SEALED CONNECTOR SYSTEM</b>	SHEET No. <b>1 of 4</b>
DOCUMENT NUMBER: <b>AS-19417-001</b>	CREATED / REVISED BY: <b>C.T.WALSH</b>	CHECKED BY: <b>J.PAWLICKI</b>	APPROVED BY: <b>R.DeROSS</b>



# MX150/MX150L ASSEMBLY INSTRUCTIONS

- Repeat Step 2 until all terminals are inserted into the housing. If using a circuit plug to seal an unused circuit, the same procedure as terminal insertion is applied. If a terminal is inadvertently assembled into the wrong position, use service tool to remove.
- When all terminals or circuit plugs are in their proper location, push down on TPA until it clicks into place and is roughly flush or on same level as edge of outer housing (See figure 3).

TPA Flush with  
Outer Housing

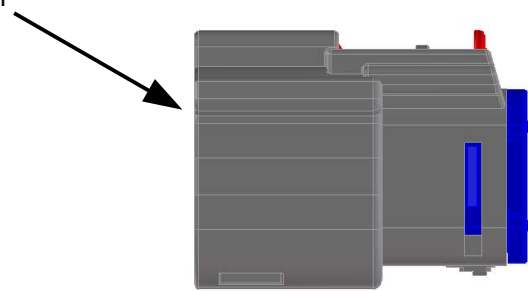


Figure 3: TPA in Locked Position

## CONNECTOR POSITION ASSURANCE ACTIVATION

- After mating the plug and receptacle connectors, push the Connector Position Assurance feature (CPA) on the receptacle forward until it clicks or is as far forward towards mating end of receptacle as possible (See Figure 4). This will prevent accidental depression of latch and un-mating of connectors.

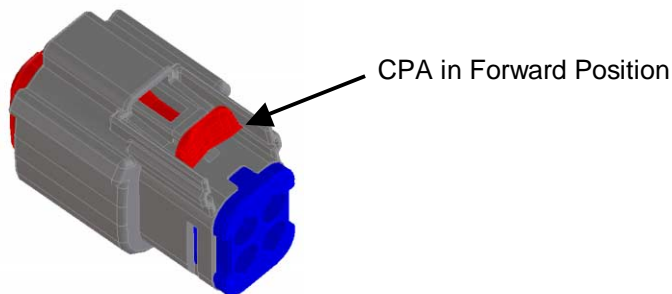


Figure 4: CPA in Locked Position

- To un-mate connectors, pull CPA towards rear or wire entry end of receptacle. While lightly pushing connectors together, depress latch and then pull the mated connectors apart.

REVISION: <b>A</b>	EGR/ECN INFORMATION: EC No: ETC2004-0125 DATE: 2003 / 12 / 17	TITLE: <b>ASSEMBLY INSTRUCTIONS FOR MX150 &amp; MX150L SEALED CONNECTOR SYSTEM</b>	SHEET No. <b>2 of 4</b>
DOCUMENT NUMBER: <b>AS-19417-001</b>	CREATED / REVISED BY: <b>C.T.WALSH</b>	CHECKED BY: <b>J.PAWLICKI</b>	APPROVED BY: <b>R.DeROSS</b>





# MX150/MX150L ASSEMBLY INSTRUCTIONS

## PLUG ASSEMBLY

### TERMINAL INSERTION

1. Begin assembly of the crimped male terminals into the plug housing by making sure the Terminal Position Assurance feature (TPA) is in the pre-locked position (See Figure 5). Since the TPA is recessed in housing, the most accurate way to determine if it is in pre-lock position is to measure. In pre-locked position the dimension between plug housing face and TPA is approximately 0.500”(12,7mm). If it is not in pre-locked position, insert the tips of a needle nose pliers into the two “D” shaped holes in the center of the TPA. Carefully, pull gently on the TPA until it starts moving. Pull to first stop. **CAUTION: DO NOT PULL TPA COMPLETELY OUT OF HOUSING. THIS MAY BREAK RETENTION FEATURES AND RESULT IN REDUCED TPA RETENTION IN HOUSING.** You are now ready to insert terminals or circuit plugs.

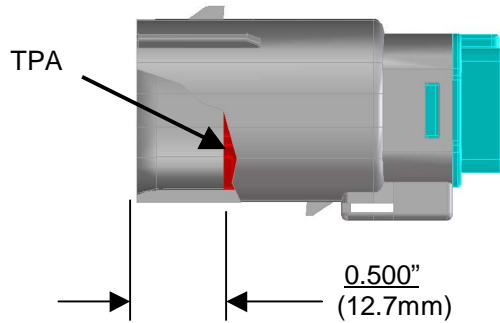


Figure 5: TPA in Pre-Locked Position

2. The terminal must be positioned correctly when inserted into the housing to assure proper latching and retention. Orient the key on the back of the male terminal with the keyway on the rear of the housing (See Figure 6). Insert the terminal into the housing until it clicks or a slight pull back on the wire is met with resistance from terminal retention feature.

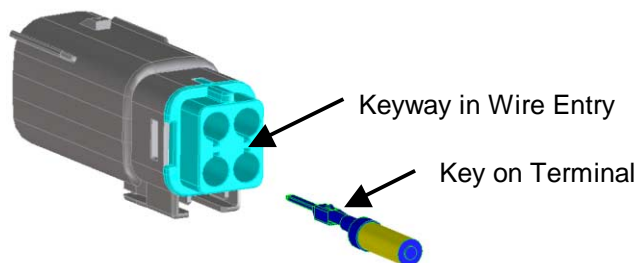


Figure 6: Terminal Orientation

REVISION: <b>A</b>	EGR/ECN INFORMATION: EC No: ETC2004-0125 DATE: 2003 / 12 / 17	TITLE: <b>ASSEMBLY INSTRUCTIONS FOR MX150 &amp; MX150L SEALED CONNECTOR SYSTEM</b>	SHEET No. <b>3 of 4</b>
DOCUMENT NUMBER: <b>AS-19417-001</b>	CREATED / REVISED BY: <b>C.T.WALSH</b>	CHECKED BY: <b>J.PAWLICKI</b>	APPROVED BY: <b>R.DeROSS</b>



# MX150/MX150L ASSEMBLY INSTRUCTIONS

3. Repeat Step 2 until all terminals are inserted into the housing. If using a circuit plug to seal an unused circuit, the same procedure as terminal insertion is applied. If a terminal is inadvertently assembled into the wrong position, use service tool to remove.
4. When all terminals or circuit plugs are in their proper location, push down on TPA until it clicks into place and is now approximately 0.700”(17.8mm) from mating edge of outer housing (See figure 7).

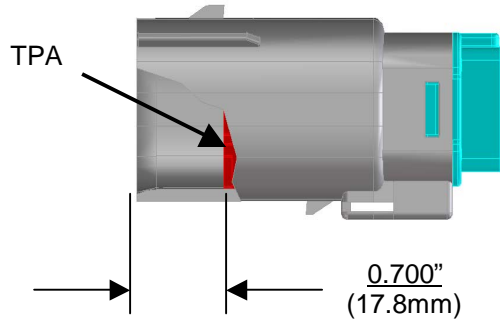


Figure 7: TPA in Locked Position

**CONGRATULATIONS! YOU NOW HAVE ONE OF THE MOST RELIABLE, ENVIRONMENTALLY SEALED (IP67) CONNECTOR SYSTEMS AVAILABLE!**

REVISION: <b>A</b>	EGR/ECN INFORMATION: EC No: ETC2004-0125 DATE: 2003 / 12 / 17	TITLE: <b>ASSEMBLY INSTRUCTIONS FOR MX150 &amp; MX150L SEALED CONNECTOR SYSTEM</b>	SHEET No. <b>4 of 4</b>
DOCUMENT NUMBER: <b>AS-19417-001</b>	CREATED / REVISED BY: <b>C.T.WALSH</b>	CHECKED BY: <b>J.PAWLICKI</b>	APPROVED BY: <b>R.DeROSS</b>