

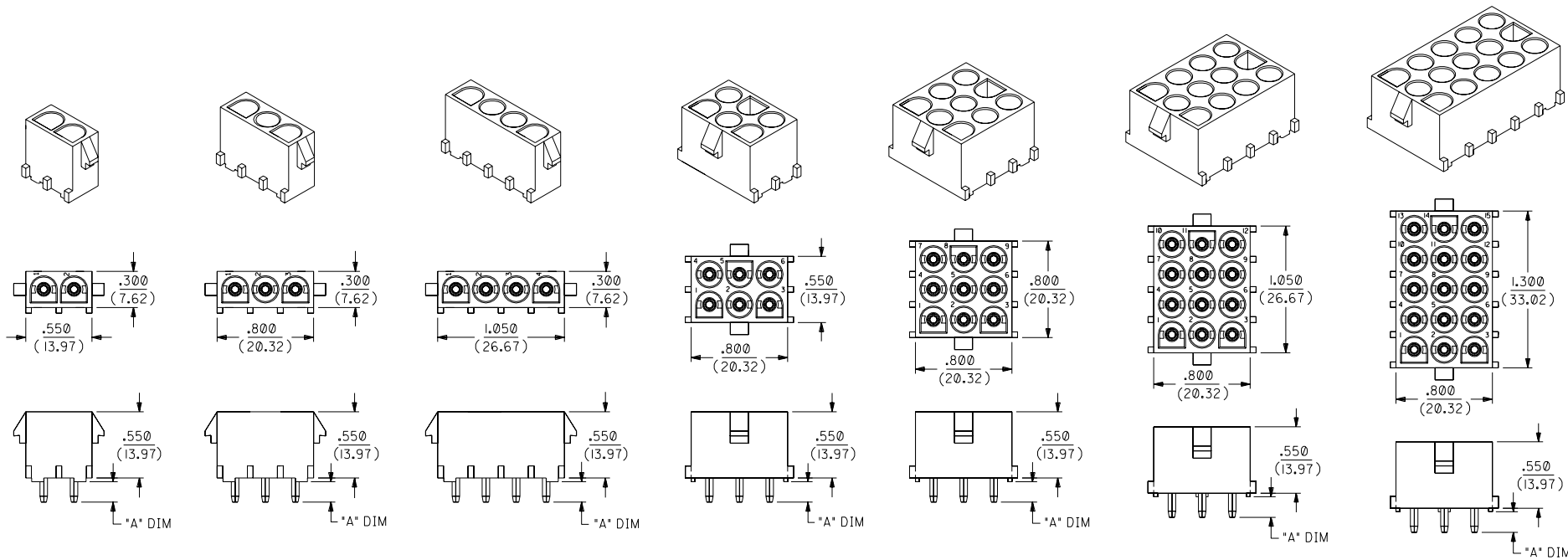
Distributed by:

JAMECO[®]
ELECTRONICS

www.Jameco.com ♦ 1-800-831-4242

The content and copyrights of the attached
material are the property of its owner.

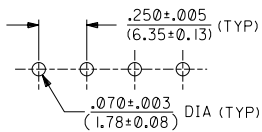
Jameco Part Number 522431



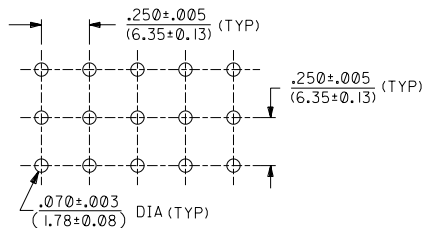
SEE CHARTS FOR "A" DIMENSION

P.C. BOARD MOUNTING DIMENSIONS

2, 3, & 4 POSITION HEADER ASSEMBLIES



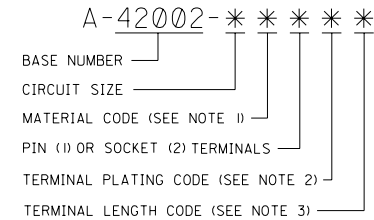
6, 9, 12 & 15 POSITION HEADER ASSEMBLIES



NOTES:

- 1) MATERIAL CODES:
 "A"= NYLON 6/6, 94V-2, NATURAL
 "B"= POLYESTER, 94V-0, BRICK RED
 "C"= PLOYESTER, 94V-0, WHITE/NATURAL
- 2) PLATING CODES:
 "A" = HOT TIN DIP 20 m.I./(.051 MICRONS) MINIMUM. PER SDES-88-P901
 "B" = 30 m.I./(.076 MICRONS) MINIMUM SELECT GOLD, AND 75 m.I./(.191 MICRONS) MINIMUM SELECT TIN - LEAD OVER 50 m.I./(.127 MICRONS) MINIMUM NICKEL OVERALL.
- 3) TERMINAL LENGTH CODES:
 1= TERMINAL FOR .062/(1.57) THICK PC BOARD
 2= TERMINAL FOR .125/(3.18) THICK PC BOARD
- 4) DIMENSIONS ARE FOR REFERENCE ONLY UNLESS INDICATED OTHERWISE.
- 5) HEADER ASSEMBLY HOUSINGS MATE WITH :
 - PLUG HOUSINGS, .084/(2.13) DIA. SERIES: (42021-***)
- 6) CONTACTS ARE ON .250/(6.35) GRID CENTERLINE SPACING.

LEGEND:



5	B1			
4	B1	C1		REVISED AS PER 1.2003-0106 03/06/25
3	B1			
2	B1	C		ADD BLK TOL UCR1998-0296 98-6-B KSS
1	C1			
MFG.	SH.	REV.	LTR.	REVISIONS

DIMENSIONS SHOWN (METRIC) INCH UNLESS OTHERWISE SPECIFIED TOLERANCES: ANGULAR ± 1/2°		▽ = 0		= 0		REVISE ONLY ON CAD SYSTEM	
3 PLACE ± .010		---		---		TITLE	
2 PLACE ± .014		± 0.25		---		HEADER HOUSING ASSEMBLIES, .084/(2.13) DIA. SERIES	
1 PLACE ---		± 0.36		---		MOLEX INCORPORATED SHEET NO. DATE U.S.A. 1 OF 5 11/16/87	
DRAFT WHERE APPLICABLE MUST REMAIN WITHIN DIMENSIONS		PART NO. SDA-42002X1		DRWG. NO. SDA-42002-*****		SEE CHART	
DRWG. BY: RK	CHK'D. BY: GWF	SCALE: 1.5:1	FILE NAME: SDA42002X1.DGN	THIS DRAWING CONTAINS INFORMATION THAT IS PROPRIETARY TO MOLEX INC. AND SHOULD NOT BE USED WITHOUT WRITTEN PERMISSION		DIV. CP C	

	13	12	11	10	9	8	7	6	42002	4	3	2	1		
J	PART NO.	ENG. NO.	CIRCUIT SIZE	HOUSING MATERIAL (SEE NOTE 1)	PIN (1) OR SOCKET (2) TERMINALS	TERMINAL PLATING (SEE NOTE 2)	TERMINAL LENGTH (SEE NOTE 3)	*A" DIM ±.015							J
	IO-84-4020	A-42002-2A IA I	2	A	1	A	1	.17/(4,3)							
	IO-84-4021	A-42002-2B IA I		B	1	A	1								
	IO-84-5020	A-42002-2C IA I		C	1	A	1								
	IO-84-4022	A-42002-2A2A I		A	2	A	1								
	IO-84-4023	A-42002-2B2A I		B	2	A	1								
	IO-84-5021	A-42002-2C2A I		C	2	A	1								
I	PRELIMINARY	A-42002-2A IA2	A	1	A	2	.23/(5,8)							I	
	PRELIMINARY	A-42002-2B IA2	B	1	A	2									
	PRELIMINARY	A-42002-2C IA2	C	1	A	2									
	PRELIMINARY	A-42002-2A2A2	A	2	A	2									
	PRELIMINARY	A-42002-2B2A2	B	2	A	2									
	PRELIMINARY	A-42002-2C2A2	C	2	A	2									
H	IO-84-4030	A-42002-3A IA I	3	A	1	A	1	.17/(4,3)							H
	IO-84-4031	A-42002-3B IA I		B	1	A	1								
	IO-84-5030	A-42002-3C IA I		C	1	A	1								
	IO-84-4032	A-42002-3A2A I		A	2	A	1								
	IO-84-4033	A-42002-3B2A I		B	2	A	1								
	IO-84-5031	A-42002-3C2A I		C	2	A	1								
	PRELIMINARY	A-42002-3A IA2	A	1	A	2	.23/(5,8)								
G	PRELIMINARY	A-42002-3B IA2	B	1	A	2								G	
	PRELIMINARY	A-42002-3C IA2	C	1	A	2									
	PRELIMINARY	A-42002-3A2A2	A	2	A	2									
	PRELIMINARY	A-42002-3B2A2	B	2	A	2									
	PRELIMINARY	A-42002-3C2A2	C	2	A	2									
F	IO-84-4040	A-42002-4A IA I	4	A	1	A	1	.17/(4,3)							F
	IO-84-4041	A-42002-4B IA I		B	1	A	1								
	IO-84-5040	A-42002-4C IA I		C	1	A	1								
	IO-84-4042	A-42002-4A2A I		A	2	A	1								
	IO-84-4043	A-42002-4B2A I		B	2	A	1								
	IO-84-5041	A-42002-4C2A I		C	2	A	1								
	PRELIMINARY	A-42002-4A IA2	A	1	A	2	.23/(5,8)								
E	PRELIMINARY	A-42002-4B IA2	B	1	A	2								E	
	PRELIMINARY	A-42002-4C IA2	C	1	A	2									
	PRELIMINARY	A-42002-4A2A2	A	2	A	2									
	PRELIMINARY	A-42002-4B2A2	B	2	A	2									
	PRELIMINARY	A-42002-4C2A2	C	2	A	2									
D	IO-84-4060	A-42002-6A IA I	6	A	1	A	1	.17/(4,3)							D
	IO-84-4061	A-42002-6B IA I		B	1	A	1								
	IO-84-5060	A-42002-6C IA I		C	1	A	1								
	IO-84-4062	A-42002-6A2A I		A	2	A	1								
	IO-84-4063	A-42002-6B2A I		B	2	A	1								
	IO-84-5061	A-42002-6C2A I		C	2	A	1								
	PRELIMINARY	A-42002-6A IA2	A	1	A	2	.23/(5,8)								
	PRELIMINARY	A-42002-6B IA2	B	1	A	2									
	PRELIMINARY	A-42002-6C IA2	C	1	A	2									
	PRELIMINARY	A-42002-6A2A2	A	2	A	2									
C	PRELIMINARY	A-42002-6B2A2	B	2	A	2								C	
	PRELIMINARY	A-42002-6C2A2	C	2	A	2									
B	IO-84-4090	A-42002-9A IA I	9	A	1	A	1	.17/(4,3)							B
	IO-84-4091	A-42002-9B IA I		B	1	A	1								
	IO-84-5090	A-42002-9C IA I		C	1	A	1								
	IO-84-4092	A-42002-9A2A I		A	2	A	1								
	IO-84-4093	A-42002-9B2A I		B	2	A	1								
	IO-84-5091	A-42002-9C2A I		C	2	A	1								
	PRELIMINARY	A-42002-9A IA2	A	1	A	2	.23/(5,8)								
	PRELIMINARY	A-42002-9B IA2	B	1	A	2									
	PRELIMINARY	A-42002-9C IA2	C	1	A	2									
	PRELIMINARY	A-42002-9A2A2	A	2	A	2									
	PRELIMINARY	A-42002-9B2A2	B	2	A	2									
A	PRELIMINARY	A-42002-9C2A2	C	2	A	2								A	

LEGEND:

A-42002-* * * * *

BASE NUMBER →

CIRCUIT SIZE →

MATERIAL CODE (SEE NOTE 1) →

PIN (1) OR SOCKET (2) TERMINALS →

TERMINAL PLATING CODE (SEE NOTE 2) →

TERMINAL LENGTH CODE (SEE NOTE 3) →

B1	SEE SHEET 1
A	SEE SHEET 1
I	SEE SHEET 1

DIMENSIONS SHOWN (METRIC) INCH UNLESS OTHERWISE SPECIFIED TOLERANCES ANGULAR ± 1/2°		▽ = 0	▼ = 0	REVISE ONLY ON CAD SYSTEM
TITLE HEADER HOUSING ASSEMBLIES, .084/(2,13) DIA. SERIES		MOLEX INCORPORATED LITTLE ROCK, AR 60532 U.S.A.		
DRAFT WHERE APPLICABLE MUST REMAIN WITHIN DIMENSIONS		SHEET NO. 2	DATE 11/16/87	REVISIONS
DRWG. BY RK	CHK'D. BY GWF	PART NO. SDA-42002-*****		DRWG. NO.
APP'D. BY GWF	SCALE --:--	FILE NAME SD42002X2		THIS DRAWING CONTAINS INFORMATION THAT IS PROPRIETARY TO MOLEX INC. AND SHOULD NOT BE USED WITHOUT WRITTEN PERMISSION
		SEE CHART	SDA-42002-*****	CP C

	13	12	11	10	9	8	7	6	5	4	3	2	1	
	PART NO.	ENG. NO.	CIRCUIT SIZE	HOUSING MATERIAL (SEE NOTE 1)	PIN (1) OR SOCKET (2) TERMINALS	TERMINAL PLATING (SEE NOTE 2)	TERMINAL LENGTH (SEE NOTE 3)	"A" DIM ±.015						
J	10-84-4120	A-42002-12A1A1	12	A	1	A	1	.17/(4.3)						
	10-84-4121	A-42002-12B1A1		B	1	A	1							
	10-84-5120	A-42002-12C1A1		C	1	A	1							
	10-84-4122	A-42002-12A2A1		A	2	A	1							
	10-84-4123	A-42002-12B2A1		B	2	A	1							
	10-84-5121	A-42002-12C2A1		C	2	A	1							
I	PRELIMINARY	A-42002-12A1A2		A	1	A	2	.23/(5.8)						
	PRELIMINARY	A-42002-12B1A2		B	1	A	2							
	PRELIMINARY	A-42002-12C1A2		C	1	A	2							
	PRELIMINARY	A-42002-12A2A2		A	2	A	2							
	PRELIMINARY	A-42002-12B2A2		B	2	A	2							
	PRELIMINARY	A-42002-12C2A2		C	2	A	2							
H	10-84-4150	A-42002-15A1A1	15	A	1	A	1	.17/(4.3)						
	10-84-4151	A-42002-15B1A1		B	1	A	1							
	10-84-5150	A-42002-15C1A1		C	1	A	1							
	10-84-4152	A-42002-15A2A1		A	2	A	1							
	10-84-4153	A-42002-15B2A1		B	2	A	1							
	10-84-5151	A-42002-15C2A1		C	2	A	1							
	PRELIMINARY	A-42002-15A1A2		A	1	A	2	.23/(5.8)						
	PRELIMINARY	A-42002-15B1A2		B	1	A	2							
	PRELIMINARY	A-42002-15C1A2		C	1	A	2							
	PRELIMINARY	A-42002-15A2A2		A	2	A	2							
	PRELIMINARY	A-42002-15B2A2		B	2	A	2							
	PRELIMINARY	A-42002-15C2A2		C	2	A	2							
G														
F														
E														
D														
C														
B														
A														

LEGEND:

A-42002-*-*-*-*

- BASE NUMBER
- CIRCUIT SIZE
- MATERIAL CODE (SEE NOTE 1)
- PIN (1) OR SOCKET (2) TERMINALS
- TERMINAL PLATING CODE (SEE NOTE 2)
- TERMINAL LENGTH CODE (SEE NOTE 3)

B1	SEE SHEET 1
A	SEE SHEET 1

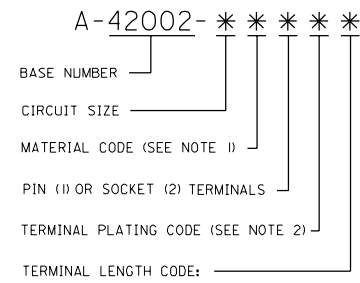
MFG. SH.	REV.	LTR.	REVISIONS
----------	------	------	-----------

DIMENSIONS SHOWN (METRIC) INCH		UNLESS OTHERWISE SPECIFIED TOLERANCES ANGULAR ± 1/2°		REVISIONS	
3 PLACE ± --- ---		INCH METRIC		TITLE	
2 PLACE ± --- ± ---				ASSEMBLY, PIN AND SOCKET HEADERS	
1 PLACE --- ± ---				.084/(2.13) DIA. SERIES	
DRAFT WHERE APPLICABLE MUST REMAIN WITHIN DIMENSIONS		MOLEX INCORPORATED		SHEET NO. DATE	
DRWG. NO.		L15LEJLL. 69532		3 11/15/87	
BY: RK		CHK'D: GWF		PART NO. DRWG. NO.	
APP'D: GWF		SCALE: ---:---		SDA-42002-***	
				THIS DRAWING CONTAINS INFORMATION THAT IS PROPRIETARY TO MOLEX INC. AND SHOULD NOT BE USED WITHOUT WRITTEN PERMISSION.	

42002

	13	12	11	10	9	8	7	6	42002	4	3	2	1				
J	PART NO.	ENG. NO.	CIRCUIT SIZE	HOUSING MATERIAL (SEE NOTE 1)	PIN (1) OR SOCKET (2) TERMINALS	TERMINAL PLATING (SEE NOTE 2)	TERMINAL LENGTH (SEE NOTE 3)	*A" DIM ±.015								J	
J	IO-84-4024	A-42002-2A IB1	2	A	1	B	1	.17/(4.3)								J	
	IO-84-4025	A-42002-2B IB1		B	1	B	1										I
	IO-84-5022	A-42002-2C IB1		C	1	B	1										
I	IO-84-4026	A-42002-2A2B1		A	2	B	1									G	
	IO-84-4027	A-42002-2B2B1		B	2	B	1										F
	IO-84-5023	A-42002-2C2B1		C	2	B	1										
H	PRELIMINARY	A-42002-2A IB2		A	1	B	2	.23/(5.8)								D	
	PRELIMINARY	A-42002-2B IB2		B	1	B	2										C
	PRELIMINARY	A-42002-2C IB2		C	1	B	2										
G	PRELIMINARY	A-42002-2A2B2	A	2	B	2									A		
	PRELIMINARY	A-42002-2B2B2	B	2	B	2											
	PRELIMINARY	A-42002-2C2B2	C	2	B	2											
F	IO-84-4034	A-42002-3A IB1	3	A	1	B	1	.17/(4.3)									
	IO-84-4035	A-42002-3B IB1		B	1	B	1										
	IO-84-5032	A-42002-3C IB1		C	1	B	1										
E	IO-84-4036	A-42002-3A2B1		A	2	B	1										
	IO-84-4037	A-42002-3B2B1		B	2	B	1										
	IO-84-5033	A-42002-3C2B1		C	2	B	1										
D	PRELIMINARY	A-42002-3A IB2		A	1	B	2	.23/(5.8)									
	PRELIMINARY	A-42002-3B IB2		B	1	B	2										
	PRELIMINARY	A-42002-3C IB2		C	1	B	2										
C	PRELIMINARY	A-42002-3A2B2	A	2	B	2											
	PRELIMINARY	A-42002-3B2B2	B	2	B	2											
	PRELIMINARY	A-42002-3C2B2	C	2	B	2											
B	IO-84-4044	A-42002-4A IB1	4	A	1	B	1	.17/(4.3)									
	IO-84-4045	A-42002-4B IB1		B	1	B	1										
	IO-84-5042	A-42002-4C IB1		C	1	B	1										
A	IO-84-4046	A-42002-4A2B1		A	2	B	1										
	IO-84-4047	A-42002-4B2B1		B	2	B	1										
	IO-84-5043	A-42002-4C2B1		C	2	B	1										
A	PRELIMINARY	A-42002-4A IB2		A	1	B	2	.23/(5.8)									
	PRELIMINARY	A-42002-4B IB2		B	1	B	2										
	PRELIMINARY	A-42002-4C IB2		C	1	B	2										
A	PRELIMINARY	A-42002-4A2B2	A	2	B	2											
	PRELIMINARY	A-42002-4B2B2	B	2	B	2											
	PRELIMINARY	A-42002-4C2B2	C	2	B	2											
A	IO-84-4064	A-42002-6A IB1	6	A	1	B	1	.17/(4.3)									
	IO-84-4065	A-42002-6B IB1		B	1	B	1										
	IO-84-5062	A-42002-6C IB1		C	1	B	1										
A	IO-84-4066	A-42002-6A2B1		A	2	B	1										
	IO-84-4067	A-42002-6B2B1		B	2	B	1										
	IO-84-5063	A-42002-6C2B1		C	2	B	1										
A	PRELIMINARY	A-42002-6A IB2		A	1	B	2	.23/(5.8)									
	PRELIMINARY	A-42002-6B IB2		B	1	B	2										
	PRELIMINARY	A-42002-6C IB2		C	1	B	2										
A	PRELIMINARY	A-42002-6A2B2	A	2	B	2											
	PRELIMINARY	A-42002-6B2B2	B	2	B	2											
	PRELIMINARY	A-42002-6C2B2	C	2	B	2											
A	IO-84-4094	A-42002-9A IB1	9	A	1	B	1	.17/(4.3)									
	IO-84-4095	A-42002-9B IB1		B	1	B	1										
	IO-84-5092	A-42002-9C IB1		C	1	B	1										
A	IO-84-4096	A-42002-9A2B1		A	2	B	1										
	IO-84-4097	A-42002-9B2B1		B	2	B	1										
	IO-84-5093	A-42002-9C2B1		C	2	B	1										
A	PRELIMINARY	A-42002-9A IB2		A	1	B	2	.23/(5.8)									
	PRELIMINARY	A-42002-9B IB2		B	1	B	2										
	PRELIMINARY	A-42002-9C IB2		C	1	B	2										
A	PRELIMINARY	A-42002-9A2B2	A	2	B	2											
	PRELIMINARY	A-42002-9B2B2	B	2	B	2											
	PRELIMINARY	A-42002-9C2B2	C	2	B	2											

LEGEND:



42002

B1 SEE SHEET 1

DIMENSIONS SHOWN (METRIC) INCH		▽ = 0		▽ = 0		REVISE ONLY ON CAD SYSTEM	
UNLESS OTHERWISE SPECIFIED TOLERANCES ANGLES ARE 1/2°		TITLE		ASSEMBLY, PIN AND SOCKET HEADERS .084/(2.13) DIA. SERIES		DATE 96/03/29	
INCH METRIC		MOLEX INCORPORATED		SHEET NO. 4		U.S.A.	
3 PLACE ± ---		LITTLE, JILL		60532		DRAWN BY CM	
2 PLACE ± ---		PART NO.		SDA-42002-*****		CHK'D BY KBP	
1 PLACE --- ± ---		FILE NAME		SD42002X7		APP'D BY RAS	
DRAFT WHERE APPLICABLE MUST REMAIN WITHIN DIMENSIONS		SCALE		---:---		THIS DRAWING CONTAINS INFORMATION THAT IS PROPRIETARY TO MOLEX INC. AND SHOULD NOT BE USED WITHOUT WRITTEN PERMISSION	

	13	12	11	10	9	8	7	6	42002	4	3	2	1		
J	PART NO.	ENG. NO.	CIRCUIT SIZE	HOUSING MATERIAL (SEE NOTE 1)	PIN (1) OR SOCKET (2) TERMINALS	TERMINAL PLATING (SEE NOTE 2)	TERMINAL LENGTH (SEE NOTE 3)	"A" DIM ±.015							J
	10-84-4124	A-42002-12A1B1	12	A	1	B	1	.17/(4,3)							
	10-84-4125	A-42002-12B1B1		B	1	B	1								
	10-84-5122	A-42002-12C1B1		C	1	B	1								
	10-84-4126	A-42002-12A2B1		A	2	B	1								
	10-84-4127	A-42002-12B2B1		B	2	B	1								
	10-84-5123	A-42002-12C2B1		C	2	B	1								
I	PRELIMINARY	A-42002-12A1B2	A	1	B	2	.23/(5,8)							I	
	PRELIMINARY	A-42002-12B1B2	B	1	B	2									
	PRELIMINARY	A-42002-12C1B2	C	1	B	2									
	PRELIMINARY	A-42002-12A2B2	A	2	B	2									
	PRELIMINARY	A-42002-12B2B2	B	2	B	2									
	PRELIMINARY	A-42002-12C2B2	C	2	B	2									
H	10-84-4154	A-42002-15A1B1	15	A	1	B	1	.17/(4,3)							H
	10-84-4155	A-42002-15B1B1		B	1	B	1								
	10-84-5152	A-42002-15C1B1		C	1	B	1								
	10-84-4156	A-42002-15A2B1		A	2	B	1								
	10-84-4157	A-42002-15B2B1		B	2	B	1								
	10-84-5153	A-42002-15C2B1		C	2	B	1								
G	PRELIMINARY	A-42002-15A1B2	A	1	B	2	.23/(5,8)							G	
	PRELIMINARY	A-42002-15B1B2	B	1	B	2									
	PRELIMINARY	A-42002-15C1B2	C	1	B	2									
	PRELIMINARY	A-42002-15A2B2	A	2	B	2									
	PRELIMINARY	A-42002-15B2B2	B	2	B	2									
	PRELIMINARY	A-42002-15C2B2	C	2	B	2									
F														F	
E														E	
D														D	
C														C	
B														B	
A														A	

LEGEND:

A-42002-*****

- BASE NUMBER
- CIRCUIT SIZE
- MATERIAL CODE (SEE NOTE 1)
- PIN (1) OR SOCKET (2) TERMINALS
- TERMINAL PLATING CODE (SEE NOTE 2)
- TERMINAL LENGTH CODE (SEE NOTE 3)

42002

B1 SEE SHEET 1

DIMENSIONS SHOWN (METRIC) INCH		▽ = 0 = 0		REVISE ONLY ON CAD SYSTEM	
UNLESS OTHERWISE SPECIFIED TOLERANCES ANGLES ARE ± 1/2°		TITLE		ASSEMBLY, PIN AND SOCKET HEADERS .084/(2.13) DIA. SERIES	
3 PLACE ± ---	---	MOLEX INCORPORATED		SHEET NO.	5
2 PLACE ± ---	---	LITTLE,ILL.		DATE	96/03/29
1 PLACE ---	---	MFG. SH. REV. LTR. REVISIONS			
DRAFT WHERE APPLICABLE MUST REMAIN WITHIN DIMENSIONS		PART NO.		SDA-42002-*****	
DRWG. BY: CM	CHK'D. BY: KBP	FILE NAME: S042002X8 DGN		THIS DRAWING CONTAINS INFORMATION THAT IS PROPRIETARY TO MOLEX INC. AND SHOULD NOT BE USED WITHOUT WRITTEN PERMISSION	
APP'D. BY: RAS	SCALE: --:--	SEE CHART		CP C	