

Distributed by:

**JAMECO**<sup>®</sup>  
ELECTRONICS

**www.Jameco.com ♦ 1-800-831-4242**

The content and copyrights of the attached  
material are the property of its owner.

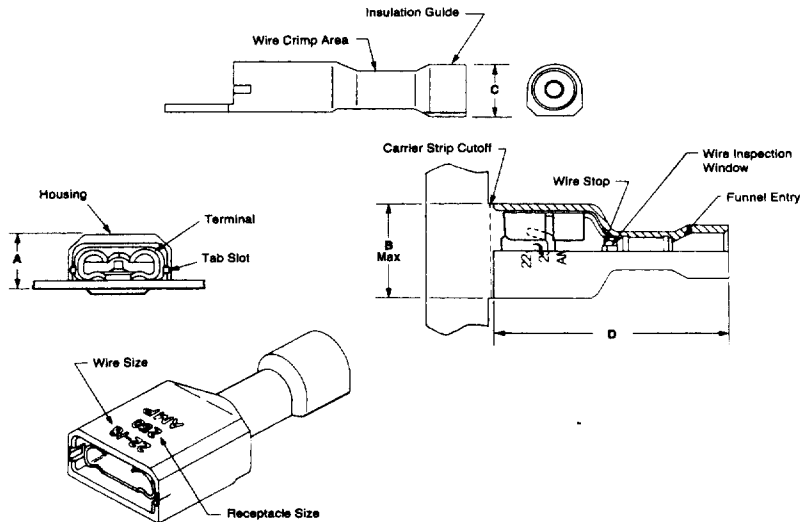
Jameco Part Number 524197

### Ultra-Fast Fully Insulated FASTON Receptacles and Tabs

#### Ultra-Fast Fully Insulated FASTON Receptacles

**Material:**

- Housing**—Nylon Type 6/6
- Terminal**—Tin-plated, copper alloy
- Color Code (Translucent)**
- Violet**—26-22 AWG
- Red**—22-18 AWG
- Blue**—16-14 AWG
- Yellow**—12-10 AWG



Description	Wire Range AWG	Ins. Dia. Max.	Dimensions				Mating Tab	Terminal Base Material	Part Numbers	
			A	B	C	D			Strip	Loose Piece
.110/.125 Series	26-22	.100 2.54	.145	.275	.138	.735	.020 x .110/.125 0.51 x 2.79/3.18	Brass	7-520365-2 <sup>1</sup>	7-520366-2 <sup>1</sup>
			.016 x .110/.125 0.41 x 2.79/3.18	Brass	2-520080-2 <sup>1</sup>	2-520081-2 <sup>1</sup>				
	22-18	.120 3.05	.160	.275	.167	.735	.020 x .110/.125 0.51 x 2.79/3.18	Brass	2-520083-2	2-520084-2
			.032 x .110/.125 0.81 x 2.79/3.18	Brass	2-520272-2	2-520273-2				
	16-14	.230 5.84	.155	.275	.295	.865	.020 x .110/.125 0.51 x 2.79/3.18	Brass	2-520306-2	—
			.032 x .110/.125 0.81 x 2.79/3.18	Brass	2-520310-2	—				
.187 Series	22-18	.135 3.43	.165	.336	.200	.855	.020 x .187 0.51 x 4.75	Brass	2-520181-2	2-520182-2
			.032 x .187 0.81 x 4.75	Brass	2-520193-2	2-520194-2				
	16-14	.230 5.84	.165	.336	.295	.935	.020 x .187 0.51 x 4.75	Brass	2-520261-2	—
			.032 x .187 0.81 x 4.75	Brass	2-520274-2	2-520275-2				
	22-18	.160 4.06	.185	.336	.225	.855	.020 x .187 0.51 x 4.75	Brass	3-350815-2	3-350816-2
			.032 x .187 0.81 x 4.75	Brass	3-520124-2	3-520125-2				
16-14	.260 6.60	.185	.336	.325	.935	.020 x .187 0.51 x 4.75	Brass	3-520150-2	3-520151-2	
		.032 x .187 0.81 x 4.75	Brass	3-520276-2	—					
.205 Series	22-18	.135 3.43	.195	.409	.200	.855	.032 x .205 0.81 x 5.21	Brass	2-521308-2	—
			.032 x .250 0.81 x 6.35	Brass	2-520183-2	2-520184-2				
	22-18	.230 5.84	.195	.409	.295	.935	.032 x .250 0.81 x 6.35	Phos. Brz.	2-520183-4	2-520184-4
			.032 x .250 0.81 x 6.35	Brass	2-520263-2	2-520264-2				
	16-14	.160 4.06	.195	.409	.225	.855	.032 x .250 0.81 x 6.35	Phos. Brz.	2-520263-4	—
			.032 x .250 0.81 x 6.35	Brass	3-350819-2	3-350820-2				
12-10	.320 8.13	.250	.409	.388	.935	.032 x .250 0.81 x 6.35	Phos. Brz.	3-520116-2	3-520117-2	
		.032 x .250 0.81 x 6.35	Brass	3-520140-2	3-520141-2					
12-10	.320 8.13	.250	.409	.388	.935	.032 x .250 0.81 x 6.35	Phos. Brz.	3-520140-4	—	
		.032 x .250 0.81 x 6.35	Brass	4-520447-2	4-520448-2					

For complete product information, order Catalog 82004

<sup>1</sup> UL Recognized, CSA Certified.  
<sup>2</sup> UL Recognized 8 AMPS Max. CSA Certified.