

Distributed by:

JAMECO[®]
ELECTRONICS

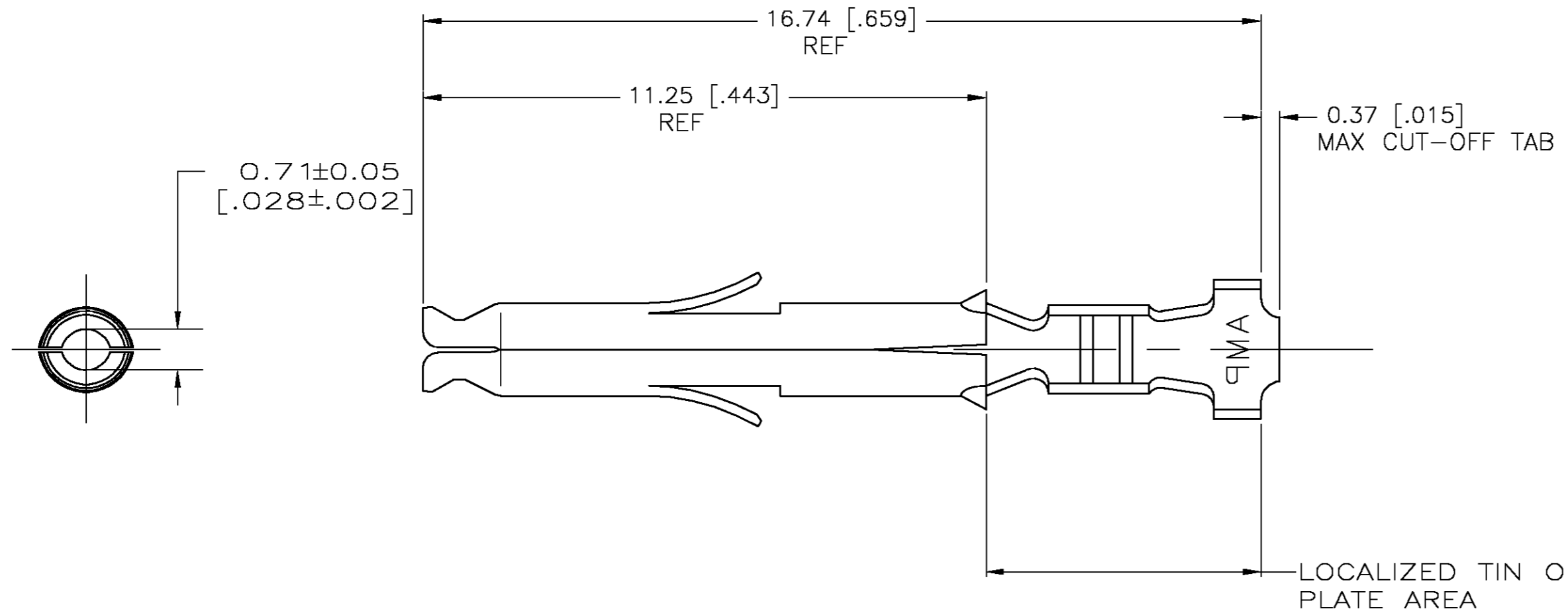
www.Jameco.com ♦ 1-800-831-4242

The content and copyrights of the attached
material are the property of its owner.

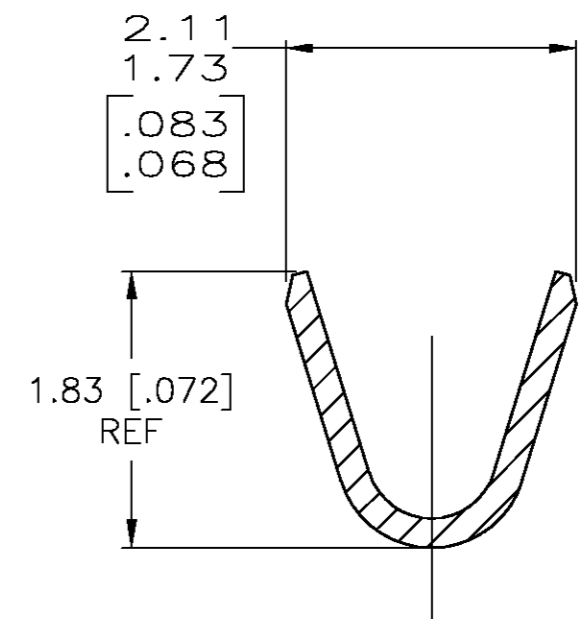
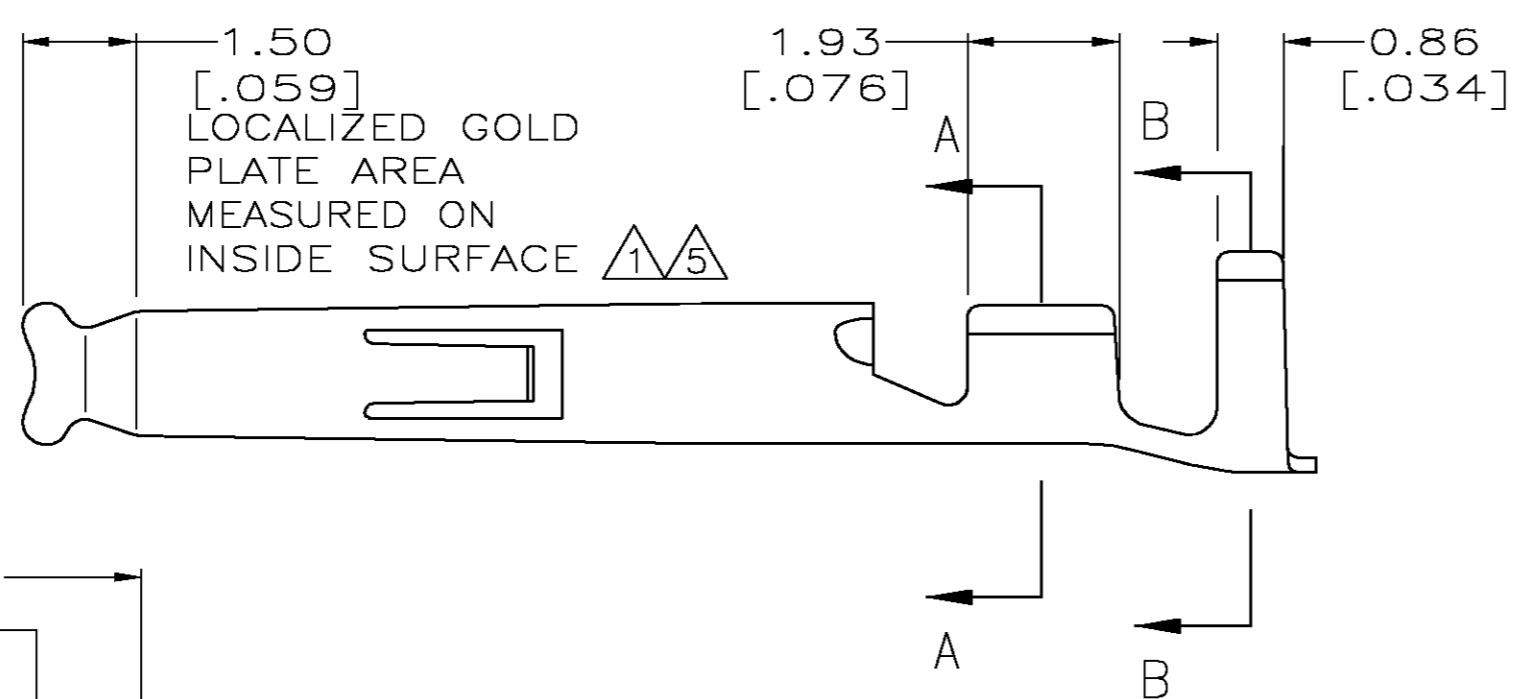
Jameco Part Number 525763

THIS DRAWING IS UNPUBLISHED. RELEASED FOR PUBLICATION
 © COPYRIGHT BY TYCO ELECTRONICS CORPORATION. ALL RIGHTS RESERVED.

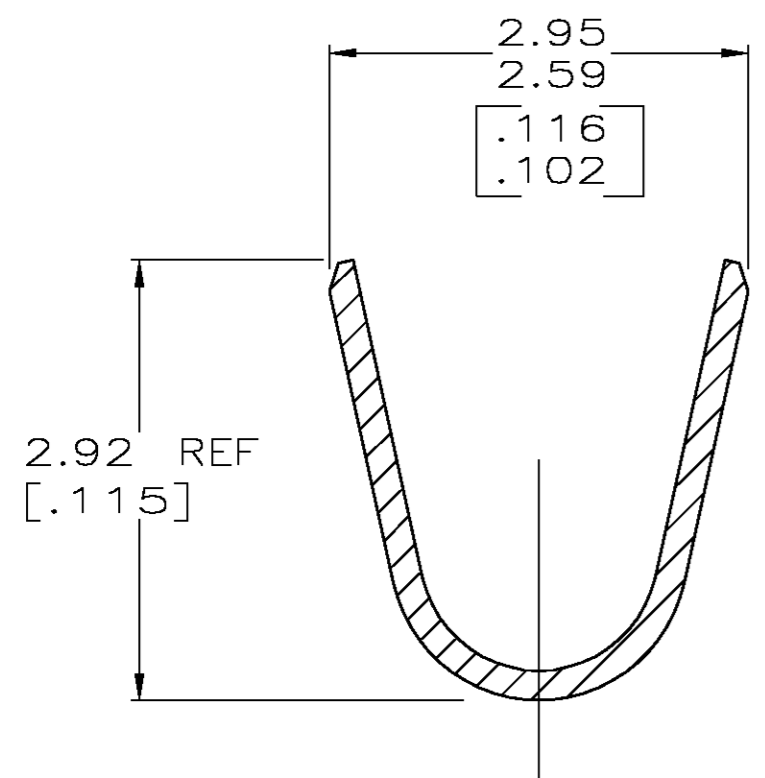
LOC	DIST	REVISIONS			
P	LTR	DESCRIPTION	DATE	DWN	APVD
CM	00	G	REVISED PER 0G3B-0436-04	29SEP04	KW CJ



- 1 0.00076 [.000030] MIN GOLD IN LOCALIZED GOLD PLATE AREA AND 0.00254 [.000100] MIN BRIGHT TIN-LEAD IN LOCALIZED TIN-LEAD PLATE AREA OVER 0.0013 [.000050] MIN NICKEL.
- 2. WIRE RANGE: 0.12-0.4mm² (26-22 AWG).
- 3. INSULATION RANGE: 1.20-1.75 [.047-.069] DIA.
- 4. DIMENSIONS IN BRACKETS ARE IN INCHES.
- 5 0.00076 [.000030] MIN GOLD IN LOCALIZED GOLD PLATE AREA AND 0.00254 [.000100] MIN BRIGHT TIN IN LOCALIZED TIN PLATE AREA OVER 0.0013 [.000050] MIN NICKEL.



SECTION A-A
SCALE 20:1



SECTION B-B
SCALE 20:1

FINISH	MATERIAL	PART NUMBER
5	0.20 [.008] BRASS	1-770986-0
1	0.20 [.008] BRASS	770986-3
PRE-TIN	0.20 [.008] BRASS	770986-1

THIS DRAWING IS A CONTROLLED DOCUMENT.		DWN S. HOOVER 16-OCT-2002	Tyco Electronics Corporation Greensboro, NC 27409	
DIMENSIONS: mm [INCHES]		CHK C. JONES 16-OCT-2002		
TOLERANCES UNLESS OTHERWISE SPECIFIED:		APVD C. JONES 16-OCT-2002	NAME	
0 PLC ±		PRODUCT SPEC	SOCKET, LOOSE PIECE, MINI UNIVERSAL MATE-N-LOK™	
1 PLC ±		APPLICATION SPEC	SIZE A2	CAGE CODE 00779
2 PLC ±		WEIGHT	DRAWING NO C=770986	RESTRICTED TO
3 PLC ± 0.15 [.006]		CUSTOMER DRAWING	SCALE 10:1	SHEET 1 OF 1
4 PLC ±			REV G	
ANGLES ± 1°				
FINISH				
SEE TABLE				

METRIC

770986