

Distributed by:

**JAMECO**<sup>®</sup>  
ELECTRONICS

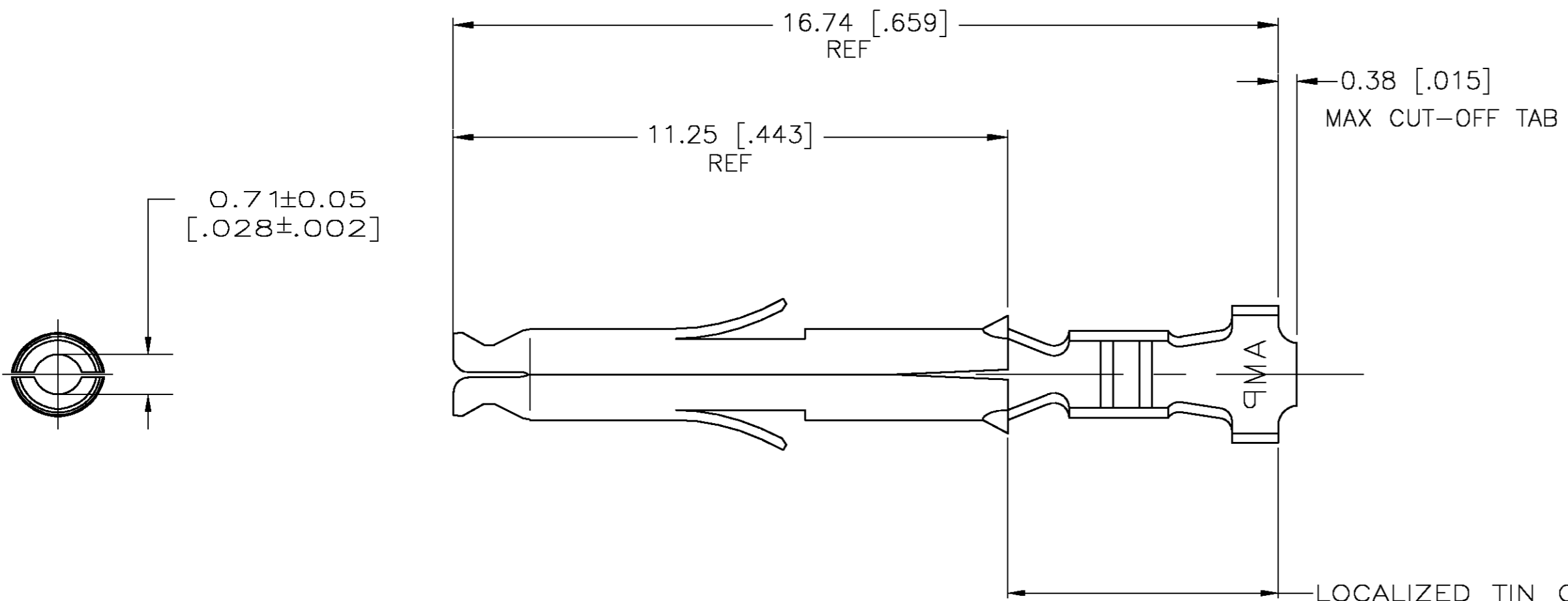
**www.Jameco.com ♦ 1-800-831-4242**

The content and copyrights of the attached  
material are the property of its owner.

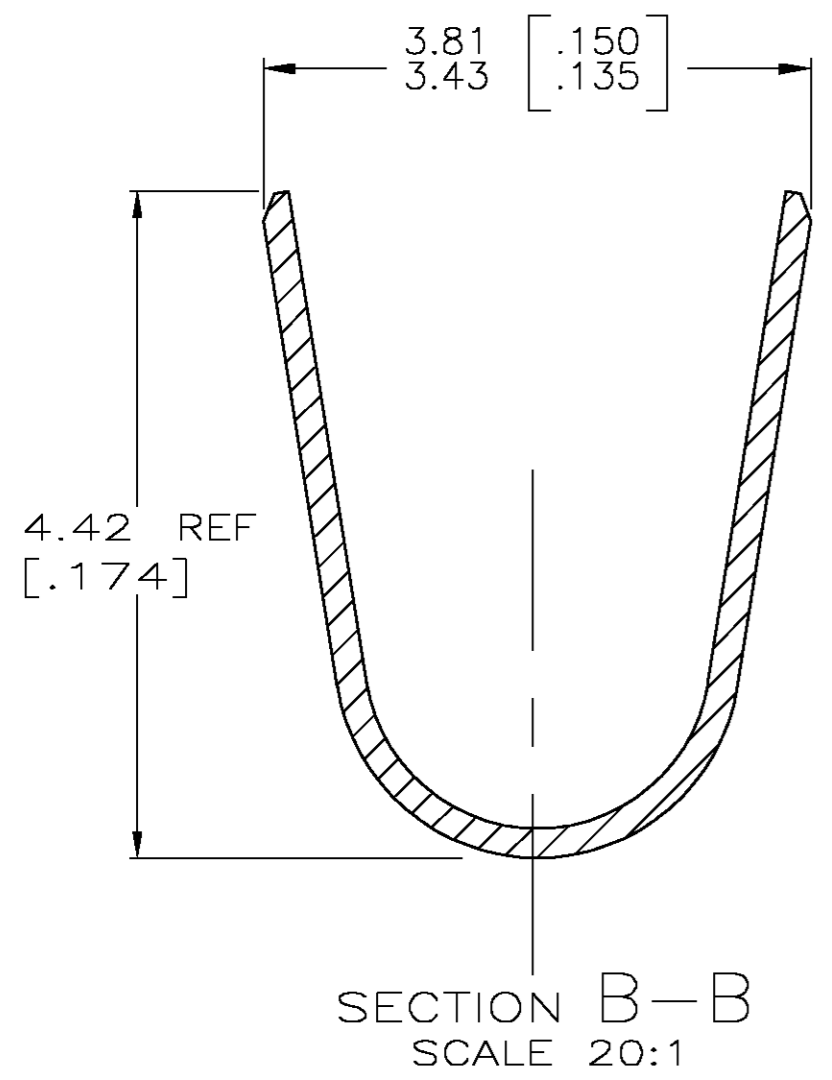
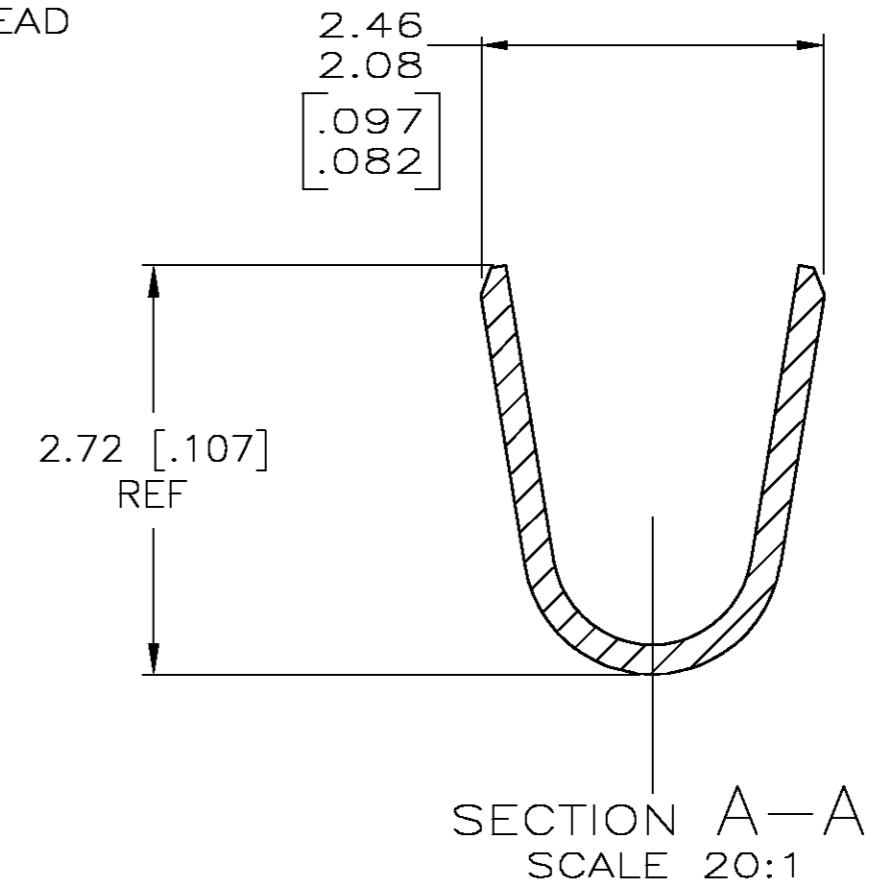
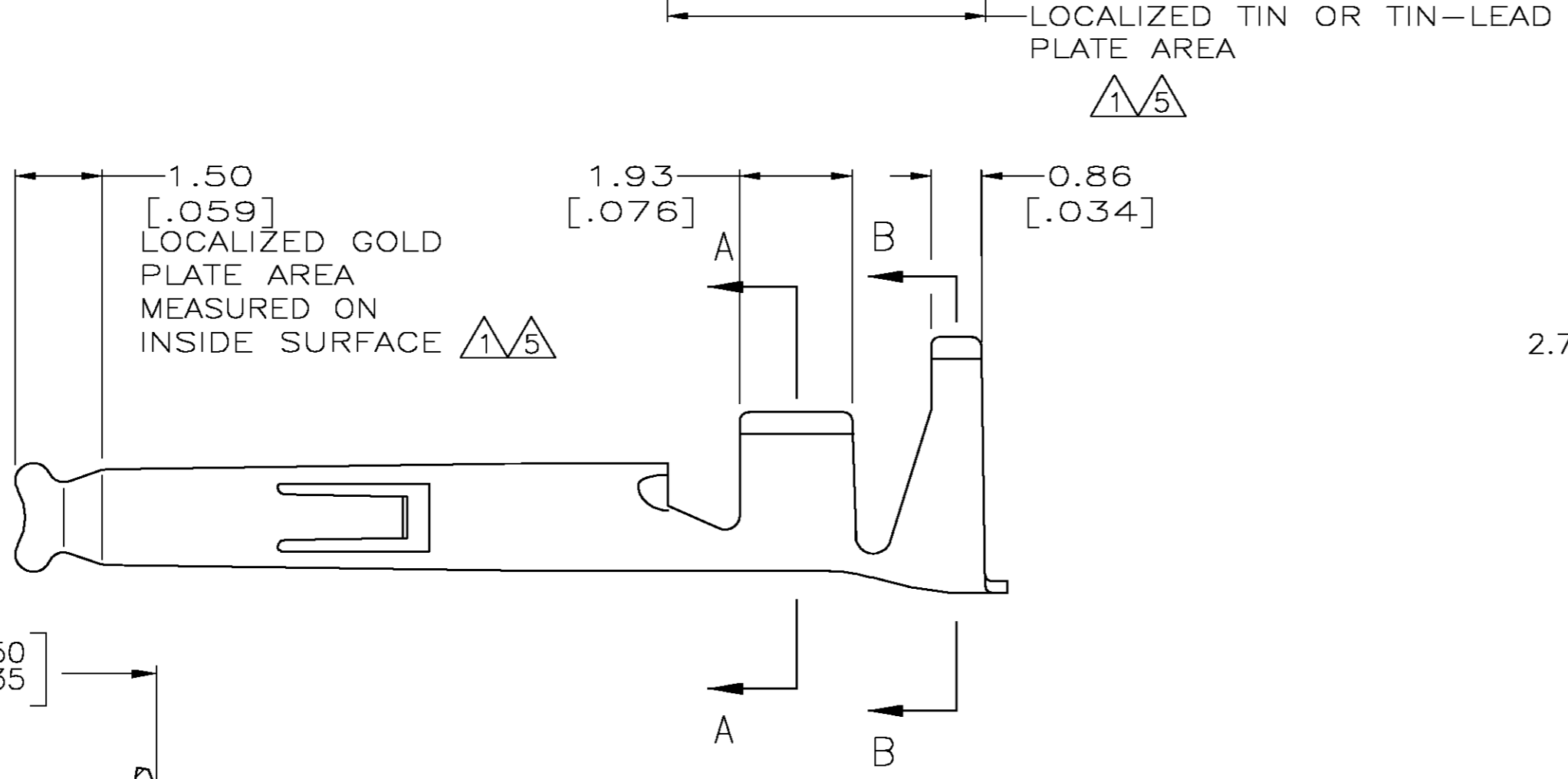
Jameco Part Number 525798

THIS DRAWING IS UNPUBLISHED. RELEASED FOR PUBLICATION  
 © COPYRIGHT BY TYCO ELECTRONICS CORPORATION. ALL RIGHTS RESERVED.

LOC		DIST		REVISIONS			
P	LTR	DESCRIPTION		DATE	DWN	APVD	
CM	00	G		REVISED PER 0G3B-0436-04	29SEP04	KW	CJ



- 1. 0.00076 [.000030] MIN GOLD IN LOCALIZED GOLD PLATE AREA AND 0.00254 [.000100] MIN BRIGHT TIN-LEAD IN LOCALIZED TIN-LEAD PLATE AREA OVER 0.0013 [.000050] MIN NICKEL.
- 2. WIRE RANGE: 0.3-0.9mm<sup>2</sup> (22-18 AWG).
- 3. INSULATION RANGE: 1.50-2.40 [.060-.094] DIA.
- 4. DIMENSIONS IN BRACKETS ARE IN INCHES.
- 5. 0.00076 [.000030] MIN GOLD IN LOCALIZED GOLD PLATE AREA AND 0.00254 [.000100] MIN BRIGHT TIN IN LOCALIZED TIN PLATE AREA OVER 0.0013 [.000050] MIN NICKEL.



**METRIC**

FINISH	MATERIAL	PART NUMBER
5	0.20 [.008] BRASS	1-770988-0
1	0.20 [.008] BRASS	770988-3
PRE-TIN	0.20 [.008] BRASS	770988-1

THIS DRAWING IS A CONTROLLED DOCUMENT.

DIMENSIONS: mm [INCHES]	TOLERANCES UNLESS OTHERWISE SPECIFIED: 0 PLC ± 1 PLC ± 2 PLC ± 3 PLC ± 0.15 [.006] 4 PLC ± ANGLES ± 1°	DWN S. HOOVER 16-OCT-2002 CHK C. JONES 16-OCT-2002 APVD C. JONES 16-OCT-2002 PRODUCT SPEC	Tyco Electronics Corporation Greensboro, NC 27409
MATERIAL	FINISH	WEIGHT	NAME: SOCKET, LOOSE PIECE, MINI UNIVERSAL MATE-N-LOK™ SIZE: A2 CAGE CODE: 00779 DRAWING NO: C=770988 RESTRICTED TO: -
CUSTOMER DRAWING		SCALE: 10:1	SHEET 1 OF 1 REV G

770988