

Distributed by:

**JAMECO**<sup>®</sup>  
ELECTRONICS

**www.Jameco.com ♦ 1-800-831-4242**

The content and copyrights of the attached  
material are the property of its owner.

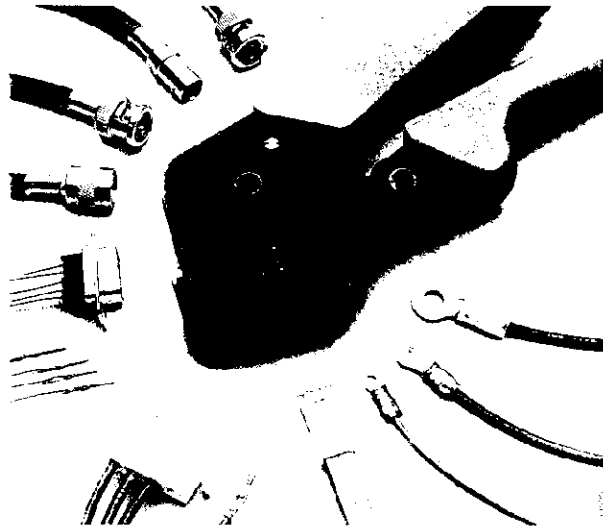
Jameco Part Number 526352

### Commercial Crimping Tool

#### PRO-CRIMPER II Hand Tool (Interchangeable Die Sets)

Product Applied	Part Numbers	
	Tool Frame P/N 354340-1 with Die Set	Die Set Only
Insulated Terminals & Splices 22-10 AWG (0.3-5.0 mm <sup>2</sup> )	58433-3	58423-1
CATV Plugs, 360 Coaxial F Connectors RG6, 59 Cable	58663-1 "O" and Hex Crimp	58663-2 "O" and Hex Crimp
50-ohm BNC & TNC Coaxial Connectors RG58, 52, 59 Cable	58433-1 "O" Crimp	58435-1 "O" Crimp
	58433-2 Hex Crimp	58436-1 Hex Crimp
20 DF Pin & Socket Contacts for D-Sub <sub>9</sub> Connectors 23-20 AWG (0.38-0.5 mm <sup>2</sup> )	58448-2	58443-3
Type III+ & Type VI Pin & Socket Contacts (Multimale)	58495-1	58495-2
FSMA and ST-Style (S.S.) Fiber Optic Connectors (P/N 504 Series Only)	58551-1*	58552-1
ST-Style, FC Type, D4 and AMP SC Fiber Optic Connectors	58433-4*	58424-1
FSD, FSD MC and RSD Fiber Optic Connectors: FSD Breakout Kit	58519-1*	58510-1

\*Tool Frame P/N 58552-1



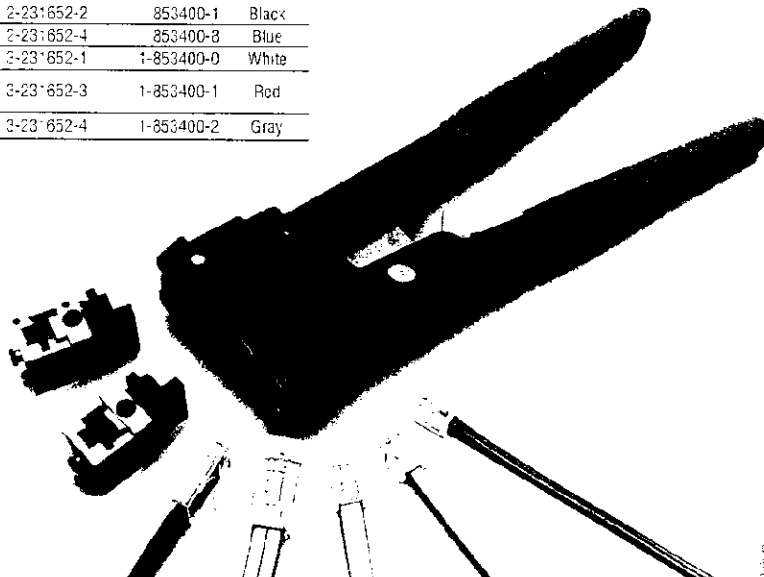
Note: For further information, request PRO-CRIMPER II Hand Tool Catalog 32275

### Hand Tools for IDC Connectors (Continued on page 4)

#### Professional Installers' Modular Plug Hand Tool (Interchangeable Die Sets)

Modular Plug Applied (IDC Connectors)	No. of Positions	Style	Part Number		Die Set Only	
			Hand Tool Assembly (Frame w/Die Set)	Part No.	Color Dot Code	
AMP Standard	3-Pos. Line	RJ 45	2-231652-2	853400-1	Black	
	3- 4- 6-Pos. Line	RJ 12, RJ 11	2-231652-4	853400-8	Blue	
AMP Category 5	3-Pos. Line	RJ 45	3-231652-1	1-853400-0	White	
Other Manufacturers (Hubbell, Stewart, Iteal & Some Others)	3-Pos. Line	RJ 12, RJ 11	3-231652-3	1-853400-1	Red	
	2- 4- 6-Pos. Line	RJ 45	3-231652-4	1-853400-2	Gray	

Note: For further information, request  
Modular Plugs and Jacks Catalog 32066.



1998 by AMP Incorporated. All Rights Reserved.