

Distributed by:

**JAMECO**<sup>®</sup>  
ELECTRONICS

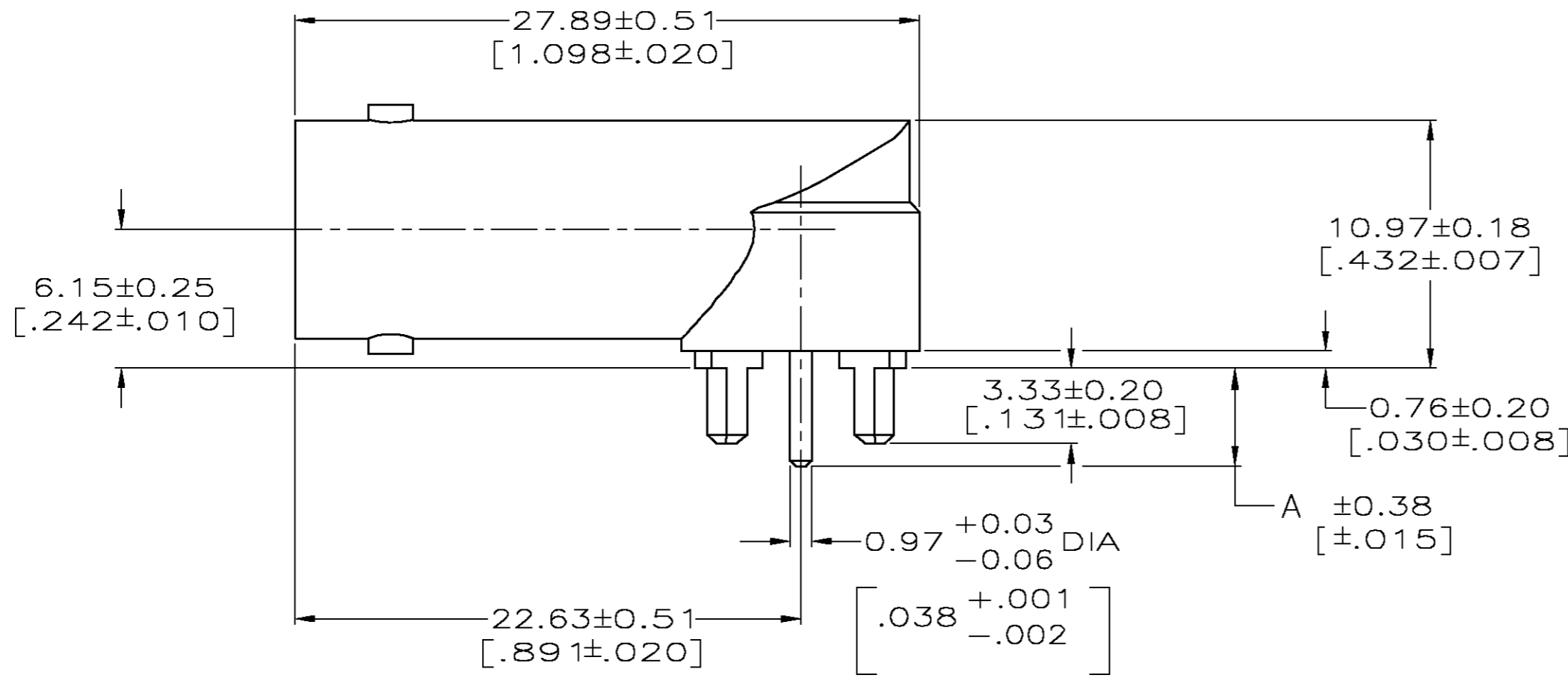
**www.Jameco.com ♦ 1-800-831-4242**

The content and copyrights of the attached  
material are the property of its owner.

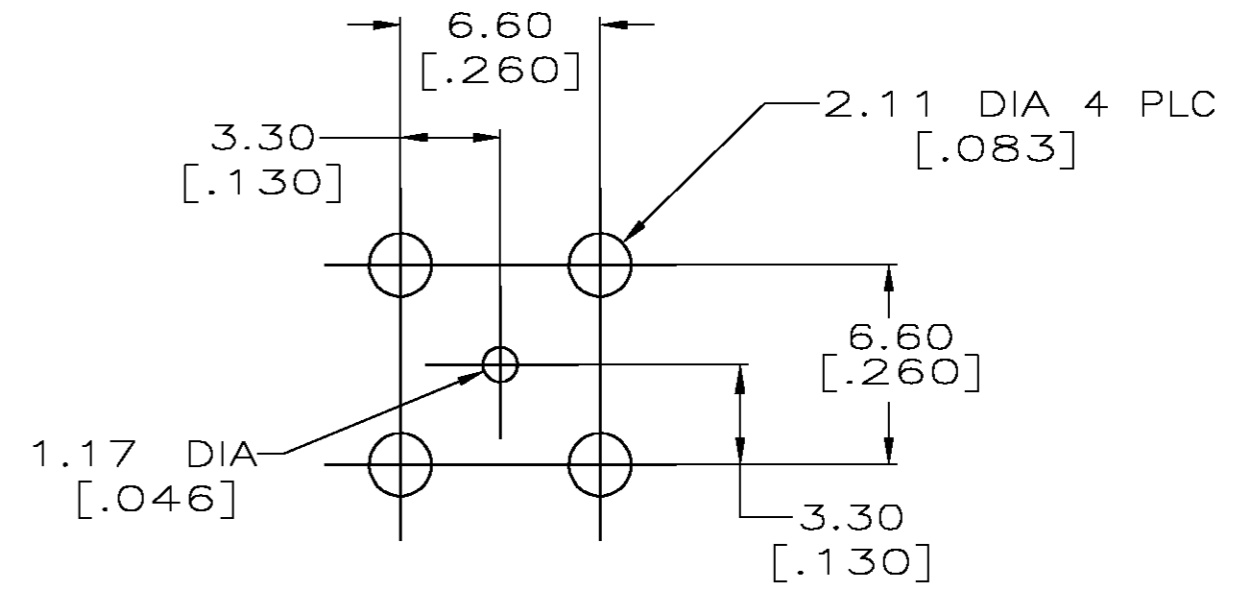
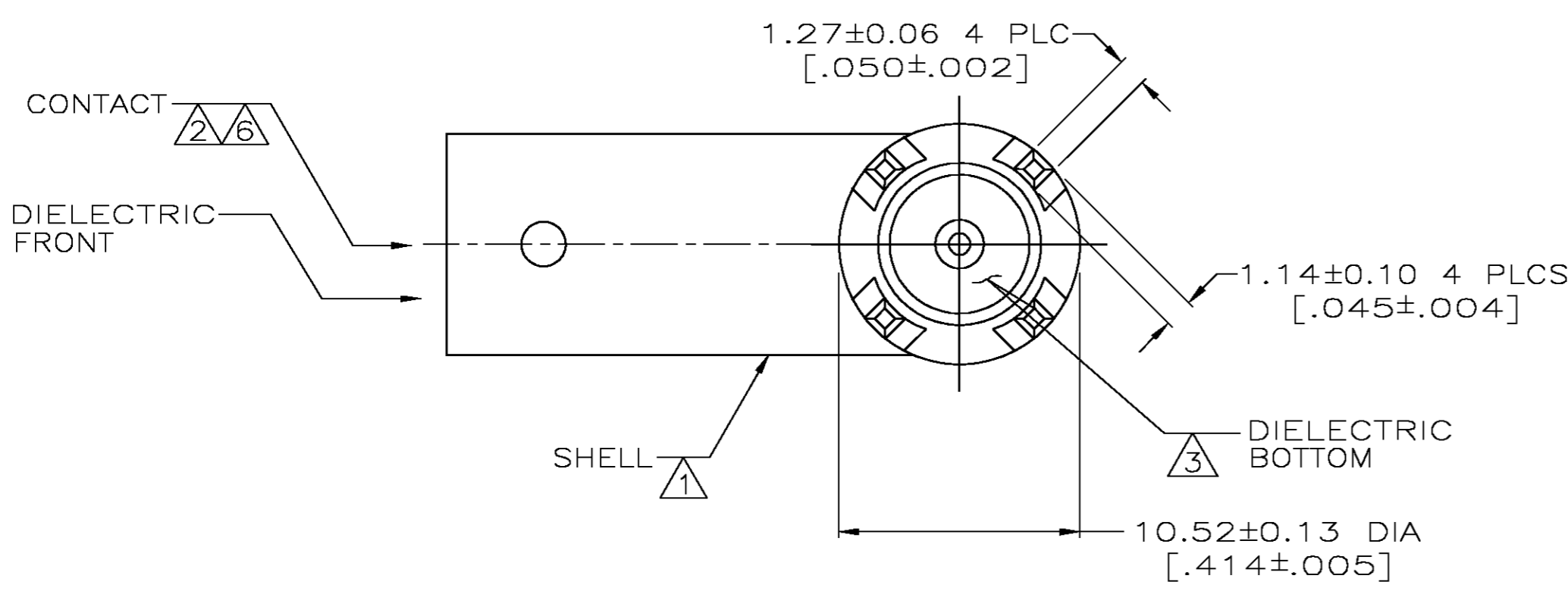
Jameco Part Number 526694

THIS DRAWING IS UNPUBLISHED. RELEASED FOR PUBLICATION  
 © COPYRIGHT BY TYCO ELECTRONICS CORPORATION. ALL RIGHTS RESERVED.

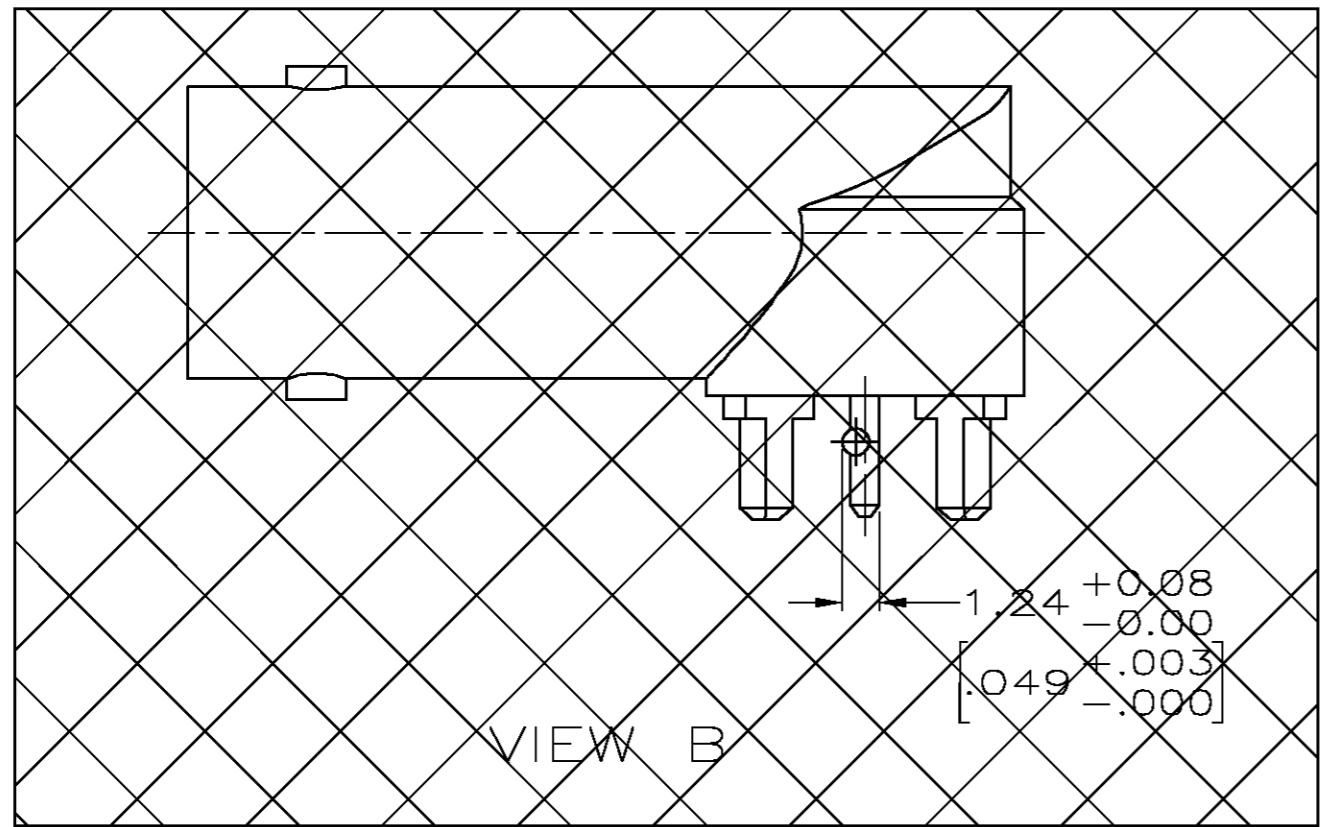
LOC	DIST	REVISIONS					
		P	LTR	DESCRIPTION	DATE	DWN	APVD
AJ	16		N	PER EC 0S14-0184-04	18NOV2004	JGH	JL



- ① ZINC PER QQ-Z-363.
- ② BERYLLIUM COPPER PER QQ-C-530.
- ③ PTFE PER MIL-P-19468.
- ④ NICKEL PLATE PER QQ-N-290, 3.81μm [.000150] MINIMUM THICK.
- ⑤ TIN PLATE PER ASTM-B-545, 3.04μm [.000120] MINIMUM THICK OVER NICKEL PLATE PER MIL-C-26074, 7.62μm [.000300] MINIMUM THICK.
- ⑥ GOLD PLATE PER MIL-G-45204, 1.27μm [.000050] MINIMUM THICK.
- ⑦ INTERFACE PER MIL-C-39012.
- ⑧ POLYMETHYLPENTENE, GENERAL PURPOSE



PCB CONFIGURATION



OBSOLETE	3.33 [.131]	④	③	B	413631-5
OBSOLETE	3.33 [.131]	⑤	③	B	413631-4
	3.33 [.131]	④	⑧	-	413631-3
	4.34 [.171]	⑤	③	-	413631-2
	4.34 [.171]	④	⑧	-	413631-1
	A	FINISH: SHELL	MATERIAL: DIELECTRIC, FRONT	VIEW	PART NUMBER

THIS DRAWING IS A CONTROLLED DOCUMENT.		DWN	J. LIPPERT	7-1-91	Tyco Electronics Corporation Harrisburg, PA 17105-3608			
DIMENSIONS: INCHES		CHK	A. GABANY	8-5-91				
TOLERANCES UNLESS OTHERWISE SPECIFIED:		APVD	A. GABANY	8-5-91	NAME JACK, RIGHT ANGLE, PCB, 50 OHM, SERIES BNC			
0 PLC ± -		PRODUCT SPEC		108-12078				
1 PLC ± -		APPLICATION SPEC		-	SIZE	CAGE CODE	DRAWING NO	RESTRICTED TO
2 PLC ± 0.08 [.003]		WEIGHT		-	A2	00779	C=413631	-
3 PLC ± -		CUSTOMER DRAWING		SCALE	4:1	SHEET	1 OF 1	REV
4 PLC ± -								N
ANGLES ± -								
FINISH								
SEE NOTES 1-3								
SEE NOTES 4-6								