

Distributed by:

**JAMECO**<sup>®</sup>  
ELECTRONICS

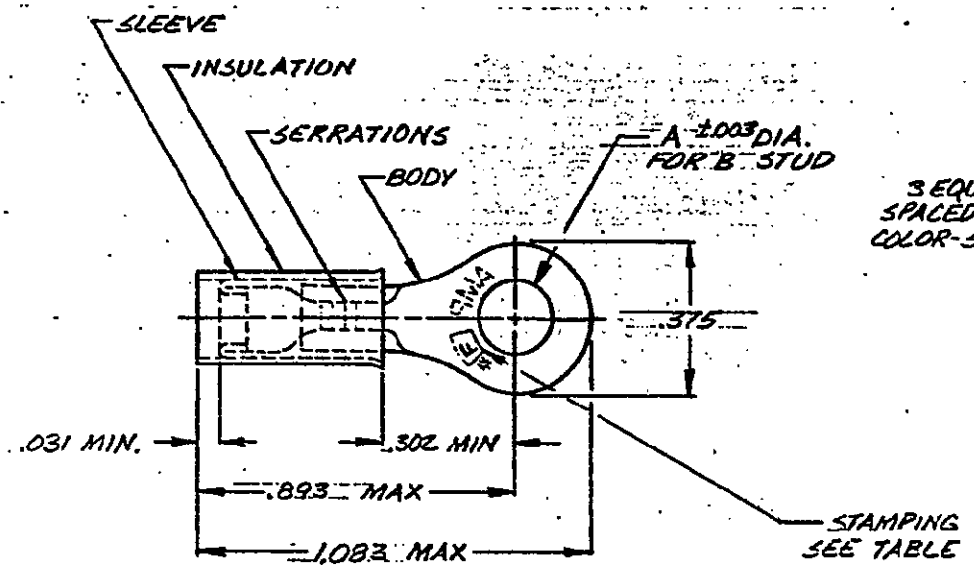
**www.Jameco.com ♦ 1-800-831-4242**

The content and copyrights of the attached  
material are the property of its owner.

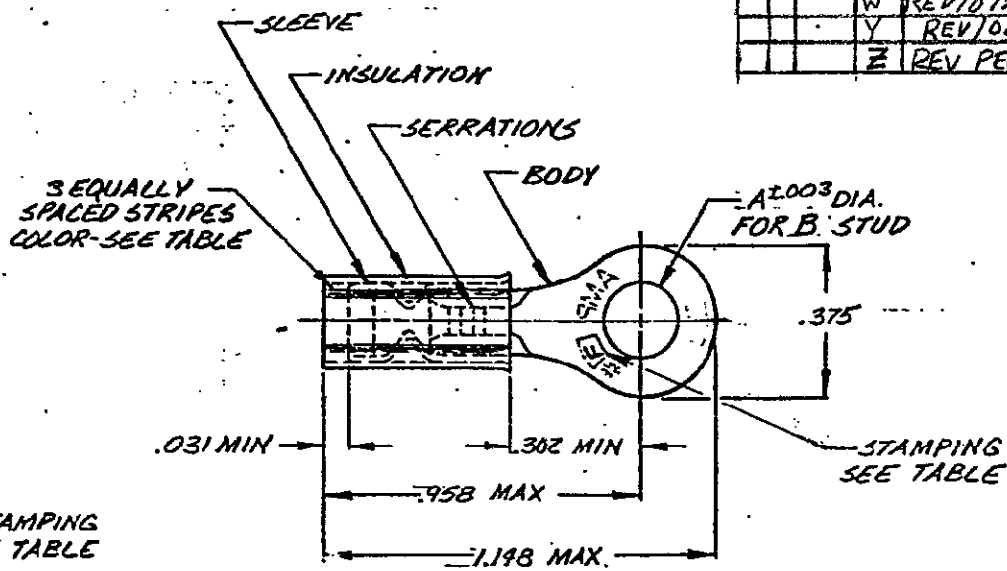
Jameco Part Number 527208

THIS DRAWING IS UNPUBLISHED. RELEASED FOR PUBLICATION  
 © COPYRIGHT 19 BY AMP INCORPORATED, HARRISBURG, PA. ALL INTERNATIONAL RIGHTS RESERVED. AMP PRODUCTS MAY BE COVERED BY U.S. AND FOREIGN PATENTS AND/OR PATENTS PENDING.

REVISIONS					
P	F	ZONE	LTR	DESCRIPTION	DATE APPROVED
✓	V		N	REDW/ & ADD 3-1 P25-0276	11/82 HNF
✓	P			OBS 3-0 2-1 REV G2553	11/82 PAF
✓	R			REVISED PER G-4262 & G-4429	11/82
✓	S			REACT 3-0 PER G-00231	12/82
✓	T			REACT 2-9 PER G-00491	12/82
✓	U			REV/G--0211-92	12/82 LO/ME
	V			REV/0720-0043-93	10/83 ME
	W			REV/0720-0956-96	ME 6/26/96 TM
	Y			REV/0220-0197-97	ME 8/97 SB
	Z			REV PER 063A-0054-97	8/97 JR



STYLE A



STYLE B  
INSULATION RESTRICTING

- 1. TONGUE MATERIAL THK. -.039 ± .002
- △ TIN PL. ASTM B 545
- △ NICKEL PL QQ-N-290
- △ SUPERSEDED BY 2-36161-5

PART NO	PACKAGE TYPE	QTY	STYLE	F	WIRE INS. DIA.	STRIPE COLOR
9-36161-2	LOOSE PC, BOX	50	B	12	.095/.200	YELLOW
2-36161-2	LOOSE PIECE BOX	50	A	12-10	.150/.230	
2-36161-9	ON TAPE, REEL	2,500	B	12	.095/.200	YELLOW
2-36161-1	ON TAPE, CG. BOX	500	A	12-10	.150/.230	
3-36161-0	ON TAPE, REEL	2,500		10	.119/.200	BROWN
2-36161-8	ON TAPE, REEL	2,500		10	.119/.200	BROWN
2-36161-6	LOOSE PIECE		B	10	.119/.200	BROWN
2-36161-5	LOOSE PIECE			12	.095/.200	YELLOW
2-36161-4	LOOSE PIECE			10	.119/.200	BROWN
2-36161-3	LOOSE PIECE			12	.095/.200	YELLOW
2-36161-2	ON TAPE, REEL	2,500	A	12-10	.150/.230	
36161	LOOSE PIECE					

WIRE SIZE	FINISH	BODY	SLEEVE	MATERIAL	PART NO
.197 #10 12	△				9-36161-2
.197 #10 12-10	△				8-36161-2
.145 #6 12	△				2-36161-9
.197 #10 12-10	△				3-36161-1
.145 #6 10	△				3- -0
.197 #10 10					2- -6
.145 #6 10					2- -6
.145 #6 12	△				2- -5
.197 #10 10					2- -4
.197 #10 12					2- -3
.197 #10 12-10	△				2- -2
.197 #10 12-10	△				36161

UNLESS OTHERWISE SPECIFIED DIMENSIONS ARE IN INCHES. TOLERANCES ON: DECIMALS = .008 ANGLES =	CONTRACT NO	AMP INCORPORATED Harrisburg, Pa. 17105	
	DR P.F. 11/4/85	NAME	
MATERIAL	CHK P. 11/4/85	TERMINAL, PIDG, RING	
SEE TABLE	APPD 11/4/85	SIZE B	DRAWING NO 36161
FINISH	DESIGN APPD	SCALE NTS	SHEET 1-1
SEE TABLE	OTHER APPD	CUSTOMER DRAWING	