

Distributed by:

JAMECO[®]
ELECTRONICS

www.Jameco.com ♦ 1-800-831-4242

The content and copyrights of the attached
material are the property of its owner.

Jameco Part Number 527224

AWING MADE IN THIRD ANGLE PROJECTION

3

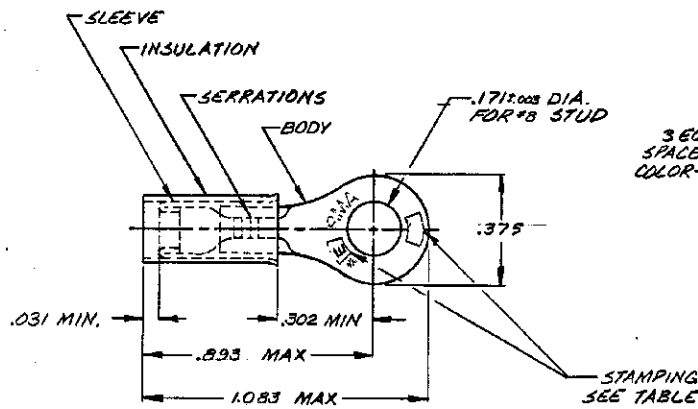
2

1

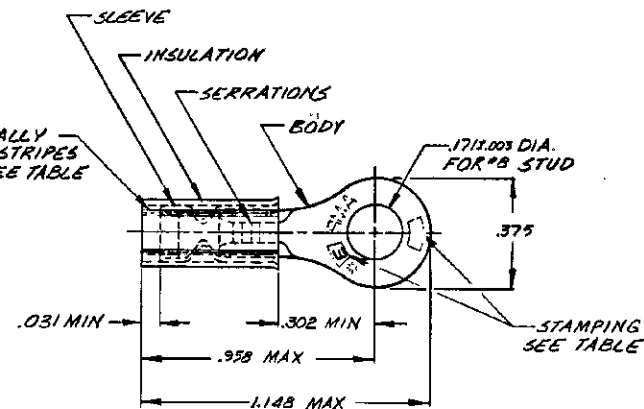
LOC DIST
G 14

THIS DRAWING IS UNPUBLISHED. RELEASED FOR PUBLICATION
 © COPYRIGHT 19 BY AMP INCORPORATED, HARRISBURG, PA. ALL INTERNATIONAL RIGHTS RESERVED. AMP PRODUCTS MAY BE COVERED BY U.S. AND FOREIGN PATENTS AND/OR PATENTS PENDING.

		REVISIONS		DATE	APPROVED
P	F	ZONE	LTR	DESCRIPTION	
✓			M	REVISED & REDRAWN PER G-1423 2 FB9-0292, WAS SIZE B	1/16/66 JRM
✓			N	OBsolete 2-6 PER G-8999	12/1/65 GS
			P	REV 10720-0080-93	3-31-66 LG/ml
			R	REMOVE SHIP SIZE 10720-4542-95	3-8-66 LG/ml
			S	REV 10720-0956-96	6-24-66 ME/DM



STYLE A



STYLE B
INSULATION RESTRICTING

- 1 TONGUE MATERIAL THK. - .040±.002
- ▲ TIN PL. MIL-T-10727
- ▲ NICKEL PL QQ-N-290
- ▲ SUPERSEDED BY 2-320548-2
- ▲ SUPERSEDED BY 2-320568-3

PART NO	PACKAGE TYPE	QTY	STYLE	STAMPING	WIRE INS. DIA	STRIP COLOR	PART NO. ON TAPE
9-320568-2	LOOSE PC. BOX	50	B	10	.119-.200	BROWN	9-320568-2
8-320568-2	LOOSE PC. BOX	50	B	12	.095-.200	YELLOW	8-320568-2
7-320568-2	LOOSE PC. BOX	50	A	12-10	.150-.230		7-320568-2
2-320568-3	ON TAPE, LG. BOX	500	A	12-10	.150-.230		2-320568-3
2-320968-3	LOOSE PIECE	→	B	10	.119-.200	BROWN	2-320968-3
2-320968-2	LOOSE PIECE	→	B	12	.095-.200	YELLOW	2-320968-2
2-320568-1	ON TAPE, REEL	2500	A	12-10	.150-.230		2-320568-1
320968	LOOSE PIECE	→	A	12-10	.150-.230		320968

WIRE SIZE	BODY FINISH	SLEEVE FINISH	MATERIAL	PART NO
10		▲		9-320568-2
12		▲		8-320568-2
12-10		▲		7-320568-2
12-10		▲		2-320568-3
10	TIN PL MIL-T-10727	▲	BODY & SLEEVE: COPPER QQ-C-576	2-320568-5
12		▲	INSULATION: NYLON TYPE I MIL-M-20643, COLOR: YELLOW	2-320968-2
12-10		▲		2-320568-1
12-10		▲		320968

UNLESS OTHERWISE SPECIFIED DIMENSIONS ARE IN INCHES
 TOLERANCES ON:
 DECIMALS ±.008
 ANGLES ±

MATERIAL: SEE TABLE
 FINISH: SEE TABLE

CONTRACT NO: 11-6-63
 DR: RFB/UTA
 RFB-UTA
 CHK: P. M. [Signature]
 APPD: [Signature]
 DATE: 1/1/66

AMP INCORPORATED
 HARRISBURG, PA. 17105

NAME: TERMINAL, PIDG, RING

SIZE: C
 FSCM NO: 00779
 DRAWING NO: 320568

SCALE: NTS
 SHEET: 1

CUSTOMER DRAWING