

Distributed by:

**JAMECO**<sup>®</sup>  
ELECTRONICS

**www.Jameco.com ♦ 1-800-831-4242**

The content and copyrights of the attached  
material are the property of its owner.

Jameco Part Number 53560

## MATERIALS

1. CONTACT: BRASS
2. INSULATOR: PBT (UL 94V-0)
3. CONTACT PLATING: GOLD OVER NICKEL

## SPECIFICATION

1. INSULATOR RESISTANCE: 5000M ohms Min
2. CURRENT RATING: 3 Amps
3. DIELECTRIC WITHSTANDING VOLTAGE: AC 500V
4. OPERATING TEMPERATURE: -45°C TO +105°C

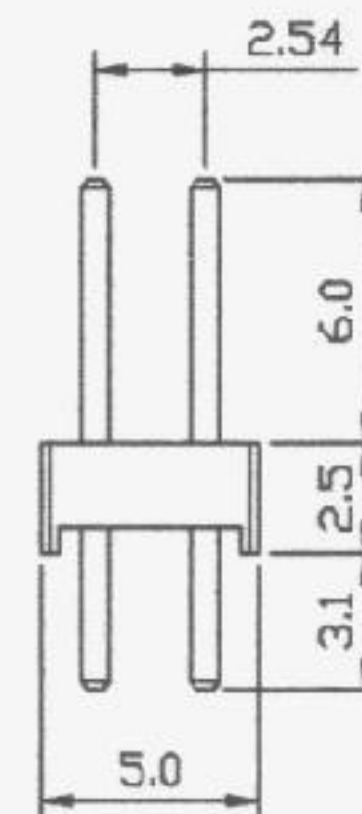
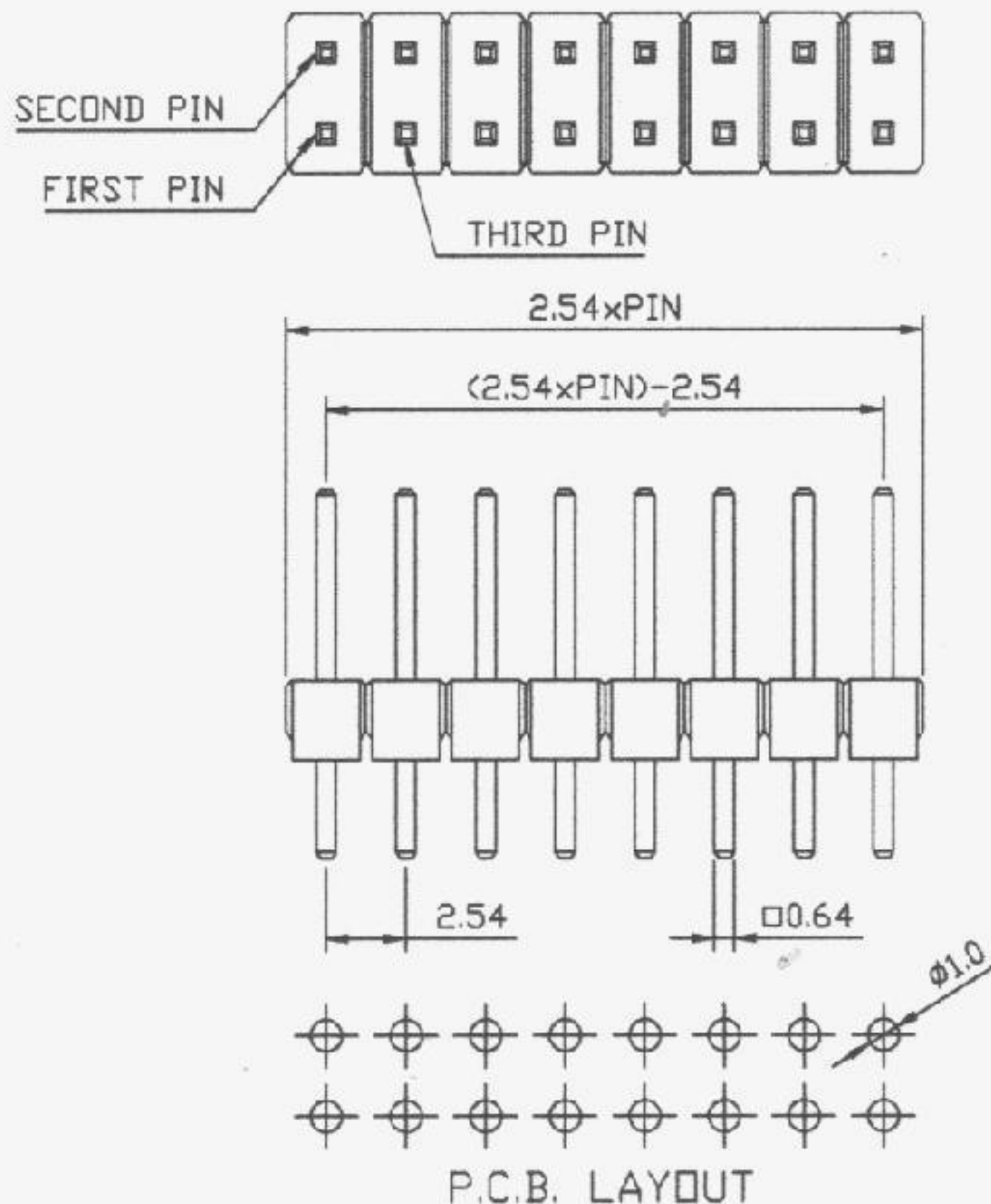
Old Series number : 7000-2xXX-SG

Part Number :

2012-254-2xXX-SG

XX : number of contacts

ROHS



TOP WILLING

TITLE

PIN HEADER PITCH=2.54mm STRAIGHT

SCALE

APP.

LISA

GENERAL TOLERANCE UNLESS SPECIFIED

DWG.NO.

P3-01IXXX116S1BG

UNIT

MM

DR.

DAVID

ANGLES

$\pm 1^\circ$



REV