

Distributed by:

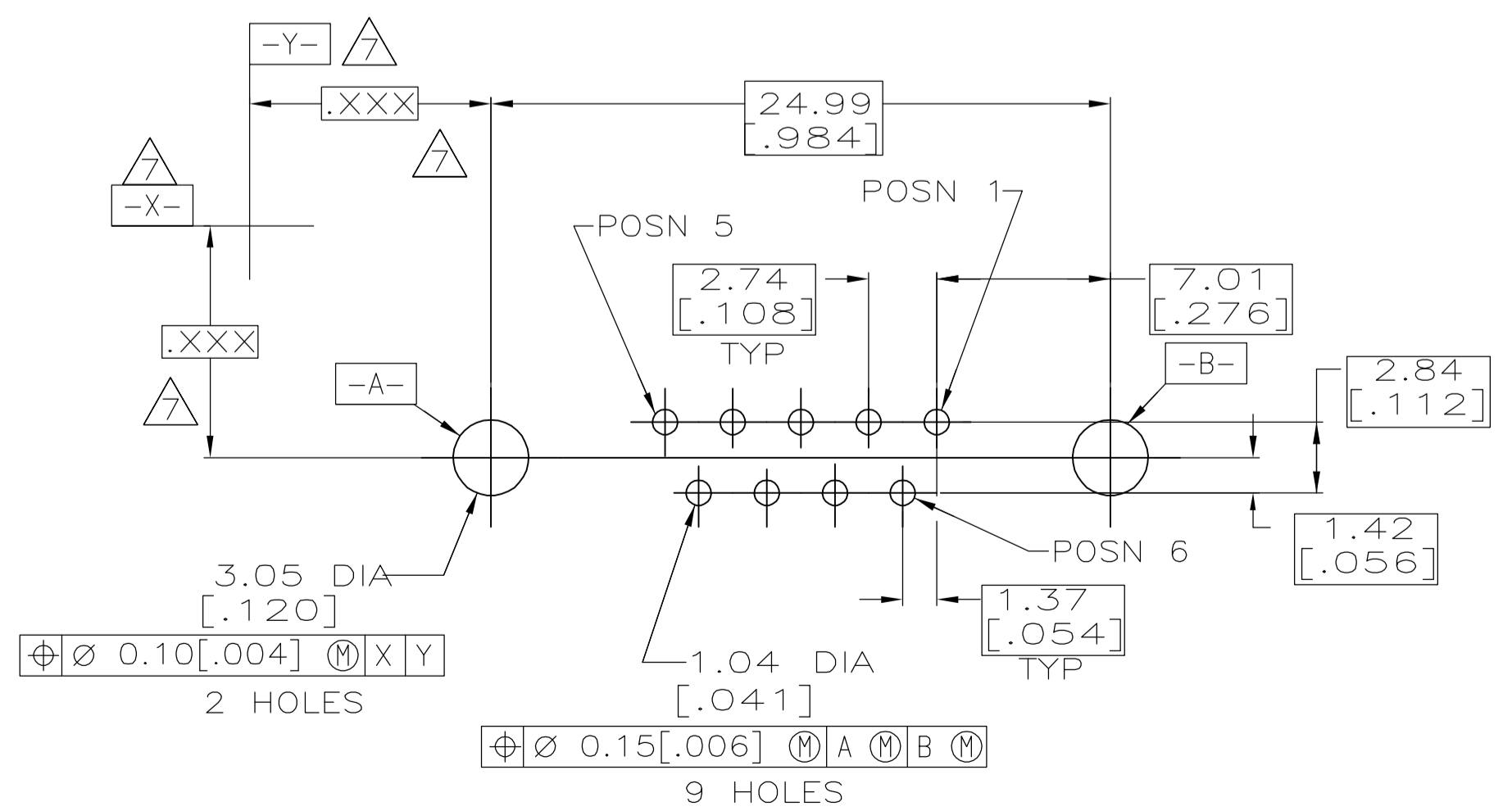
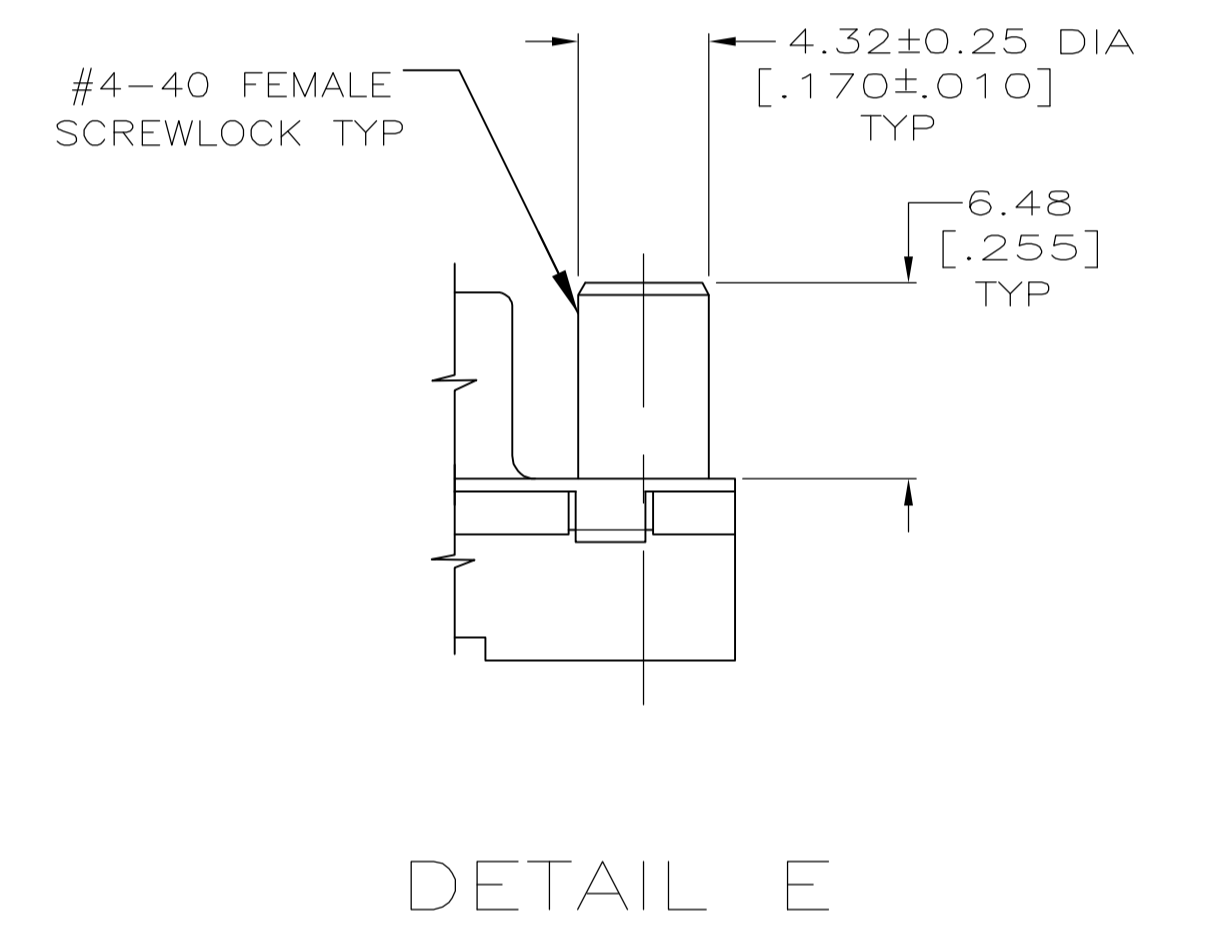
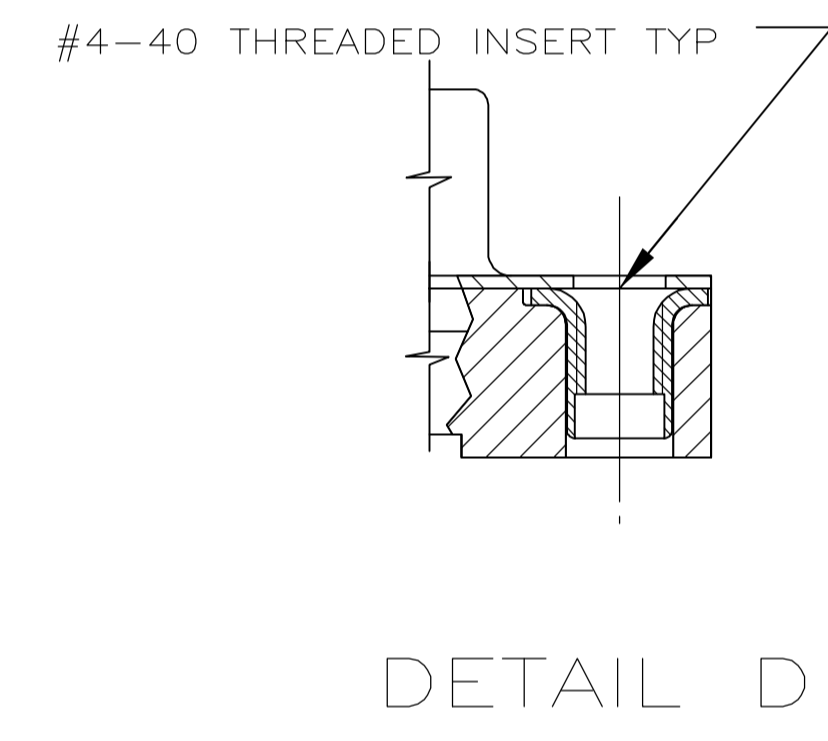
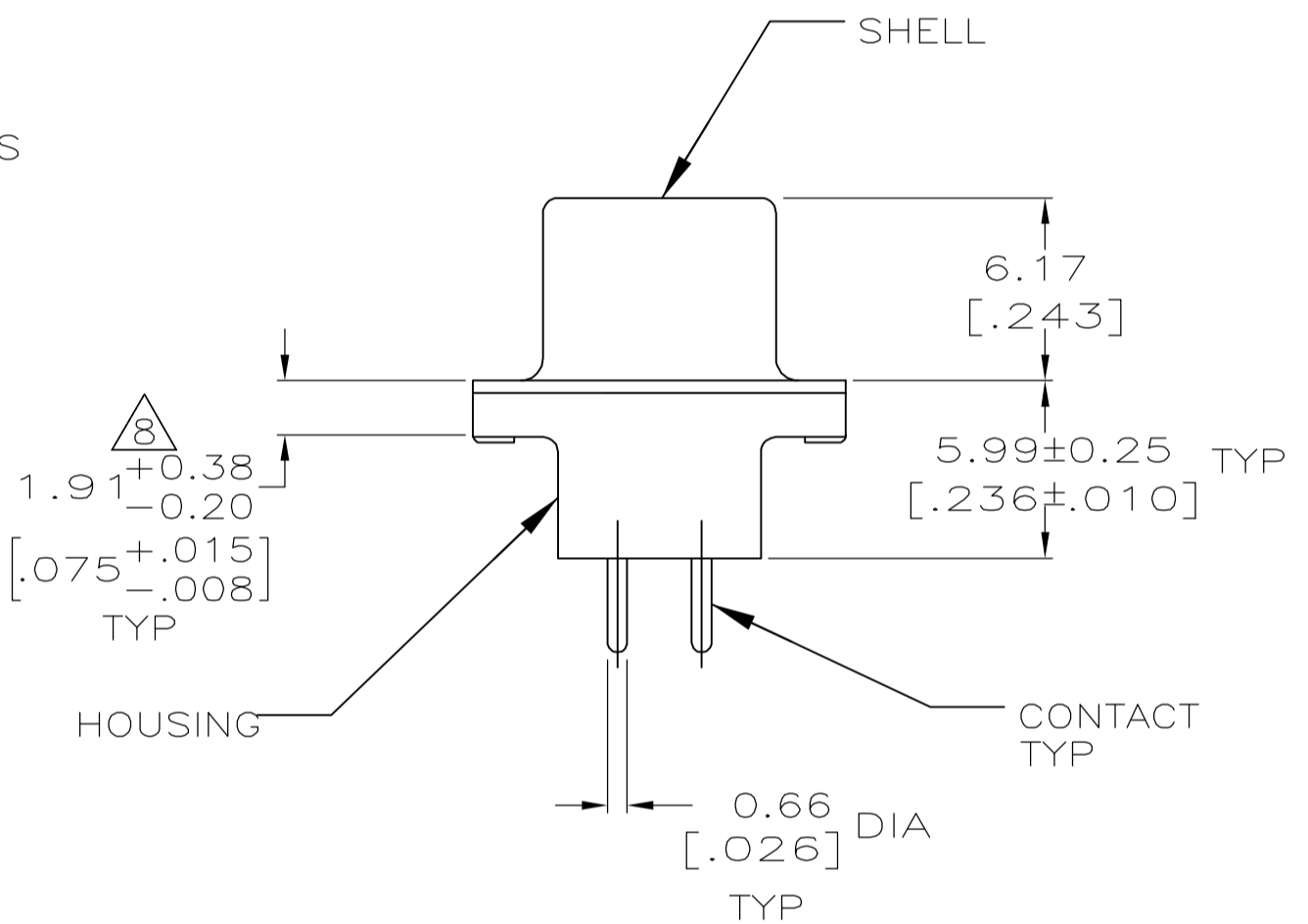
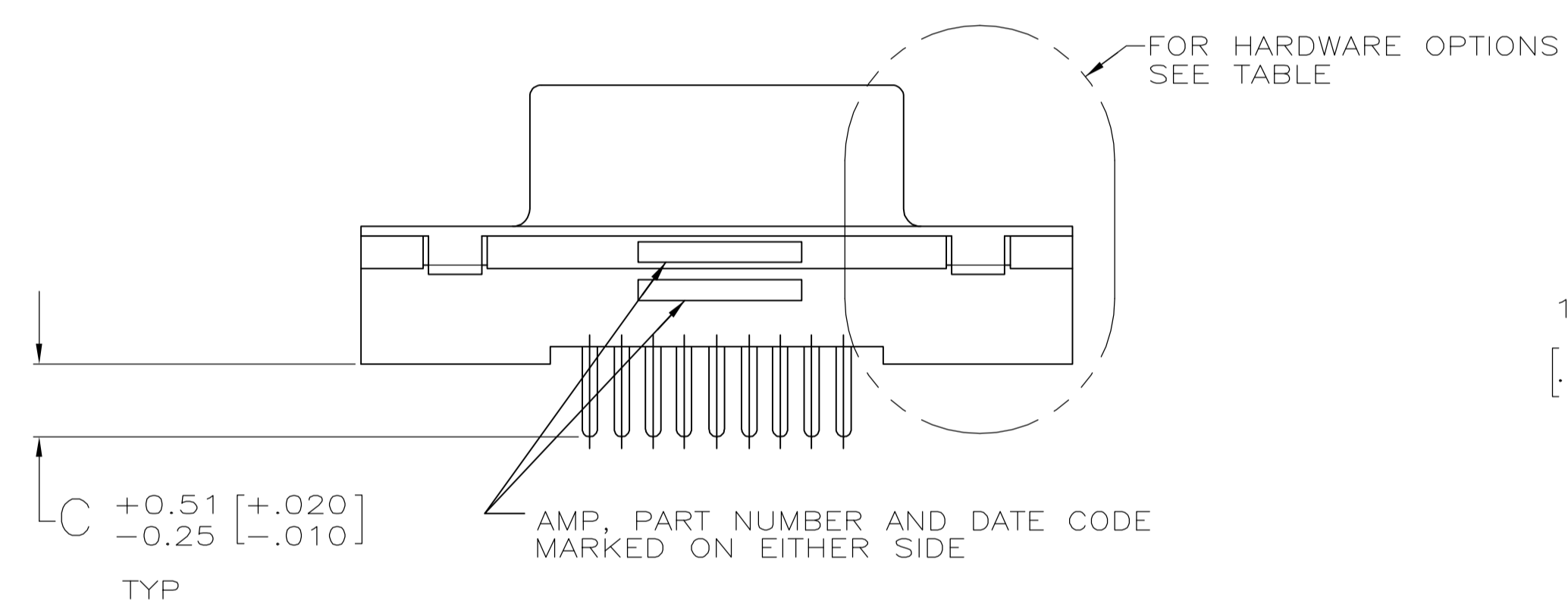
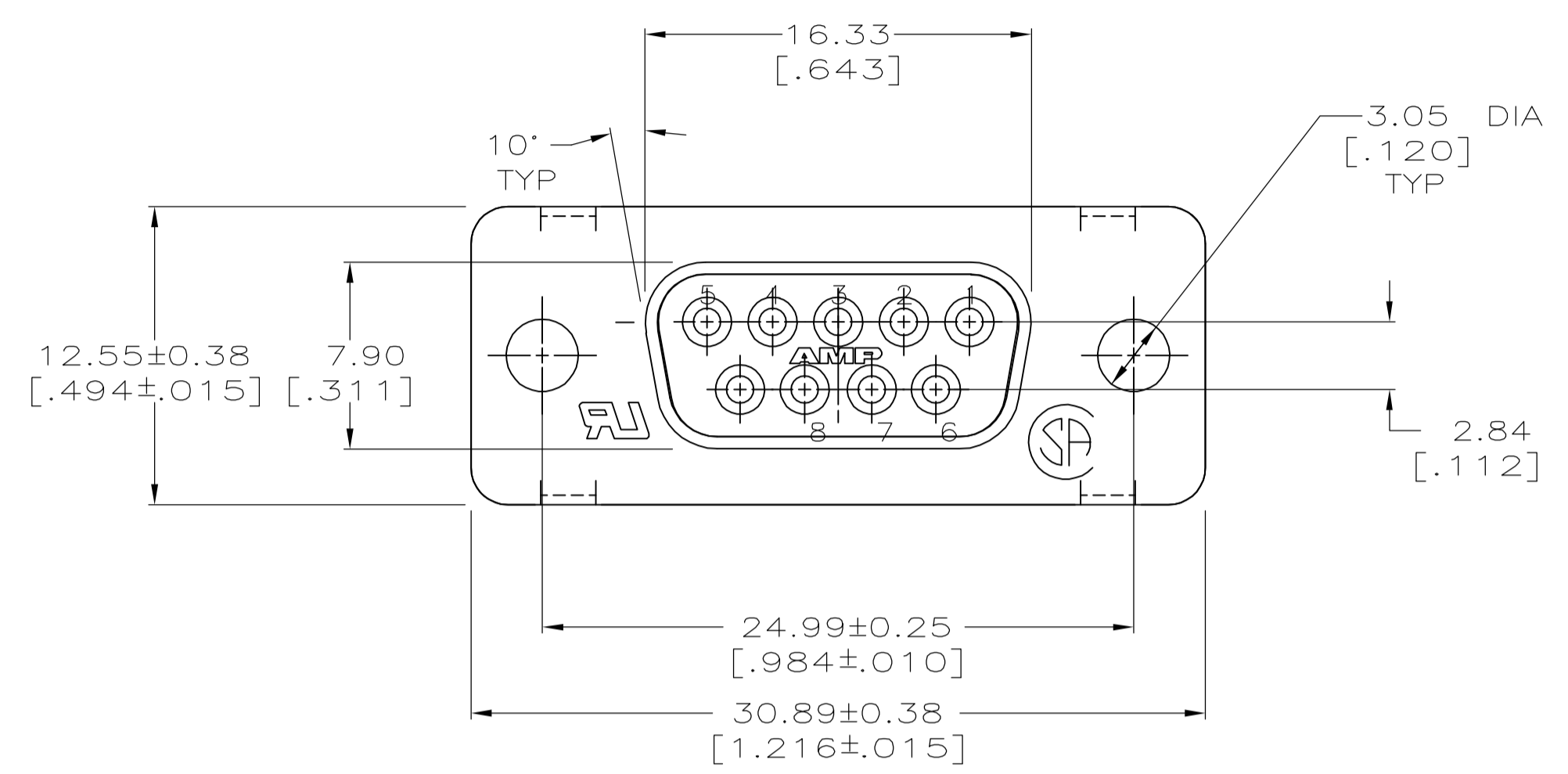
**JAMECO**<sup>®</sup>  
ELECTRONICS

**www.Jameco.com ♦ 1-800-831-4242**

The content and copyrights of the attached  
material are the property of its owner.

Jameco Part Number 614213

- △ HOUSING: POLYESTER, UL 94V-0 RATED, BLACK.
- △ SHELL: CARBON STEEL PER ASTM A109.
- △ SHELL: 5.08um [.000200] MIN TIN OVER 2.54um [.000100] MIN COPPER.
- △ GOLD FLASH FOR A LENGTH OF 2.54[.100] MIN FROM MATING END, 2.54um [.000100] MIN TIN OR TIN-LEAD ON OPPOSITE END, BOTH OVER 1.27um [.000050] MIN NICKEL.
- △ 0.76um [.000030] MIN GOLD FOR A LENGTH OF 2.54 [.100] MIN FROM MATING END, 2.54um [.000100] MIN TIN OR TIN-LEAD ON OPPOSITE END, BOTH OVER 1.27um [.000050] MIN NICKEL.
- △ TIN PLATING PER MIL-T-10727, GOLD PLATING PER MIL-G-45204, NICKEL PLATING PER QQ-N-290, COPPER PLATING PER MIL-C-14550.
- △ DATUMS AND BASIC DIMENSIONS ESTABLISHED BY CUSTOMER.
- △ 2.79[.110] MAX IN SHELL TAB CLINCH AREAS.
- △ SUPERSEDED BY 747150-2.
- △ SUPERSEDED BY 747150-9.
- △ SUPERSEDED BY 1-747150-6.
- △ OBSOLETE.
- △ CONTACTS: PHOSPHOR BRONZE PER QQ-B-750.
- △ SCREWLOCKS: ZINC.
- △ INSERTS: BRASS.



RECOMMENDED PC BOARD LAYOUT  
 CONNECTOR SIDE OF PC BOARD

W/FEMALE SCREWLOCKS PER DETAIL E	△ 5	4.32 [.170]	1-747150-6
	△ 4	4.32 [.170]	1-747150-5
W/THREADED INSERTS PER DETAIL D	△ 5	3.18 [.125]	1-747150-4
	△ 4	3.18 [.125]	1-747150-3
W/O FEMALE SCREWLOCKS OR THREADED INSERTS AS SHOWN	△ 5	6.35 [.250]	1-747150-1
	△ 4	4.32 [.170]	747150-9
HARDWARE OPTIONS	△ 5	3.18 [.125]	747150-8
	△ 4	3.18 [.125]	747150-7
FINISH	△ 5	4.32 [.170]	747150-4
	△ 4	3.18 [.125]	747150-2
PART NO	△ 5	4.32 [.170]	747150-4
	△ 4	3.18 [.125]	747150-1

THIS DRAWING IS A CONTROLLED DOCUMENT. **DIN D BROCKWAY** 3-22-93 **tyco Electronics** Tyco Electronics Corporation Harrisburg, PA 17105-3608

CHK R STONE 5-10-93

APVD - NAME

DIMENSIONS: mm [INCHES]

TOLERANCES UNLESS OTHERWISE SPECIFIED:

0 PLC	± -
1 PLC	± -
2 PLC	± 0.13 [.005]
3 PLC	± -
4 PLC	± -
ANGLES	± -

PRODUCT SPEC: 108-40025

APPLICATION SPEC: 114-40023

RECEPTACLE ASSEMBLY, SIZE 1, 9 POSITION FRONT METAL SHELL, WITH OR WITHOUT SCREWLOCKS OR INSERTS.

SIZE: A1

WEIGHT: -

SCALE: 4:1

CUSTOMER DRAWING

DATE: 00779

DRAWING NO: 747150

SHEET 1 OF 1

REV L