

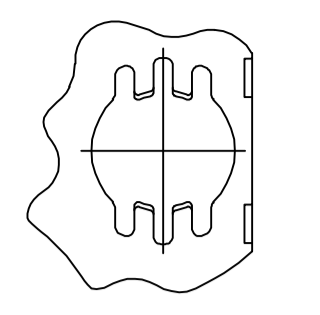
Distributed by:

JAMECO[®]
ELECTRONICS

www.Jameco.com ♦ 1-800-831-4242

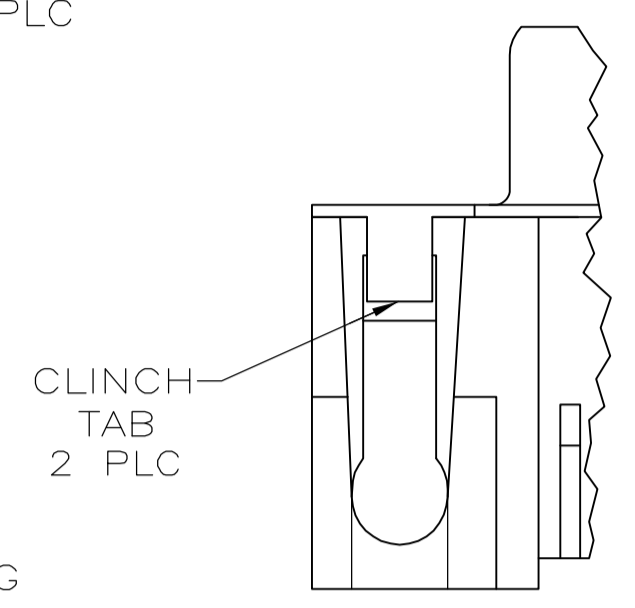
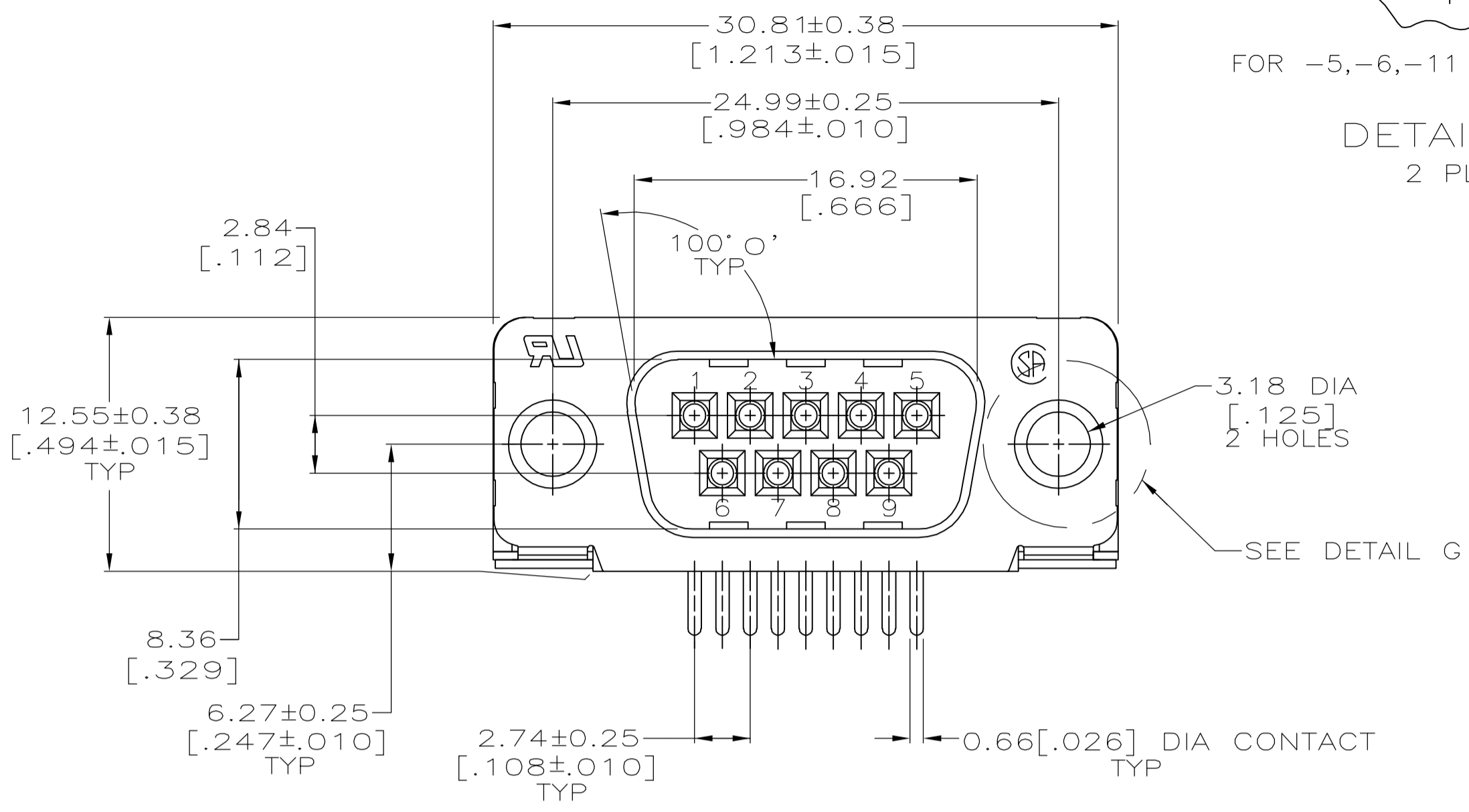
The content and copyrights of the attached
material are the property of its owner.

Jameco Part Number 614248



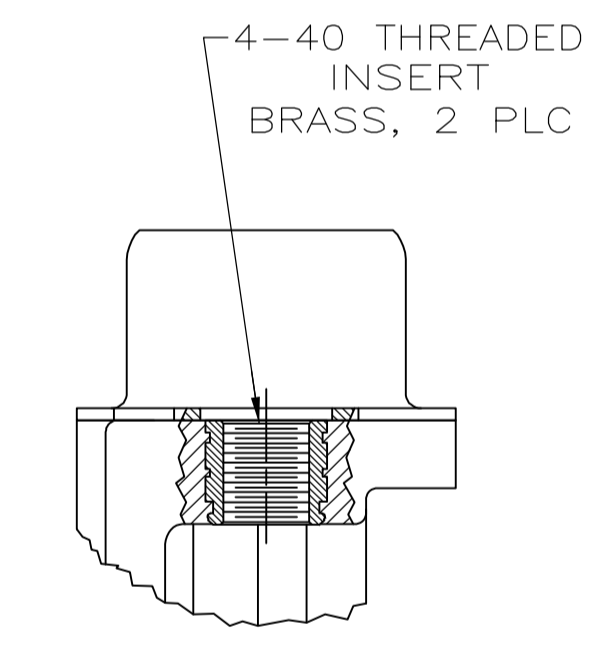
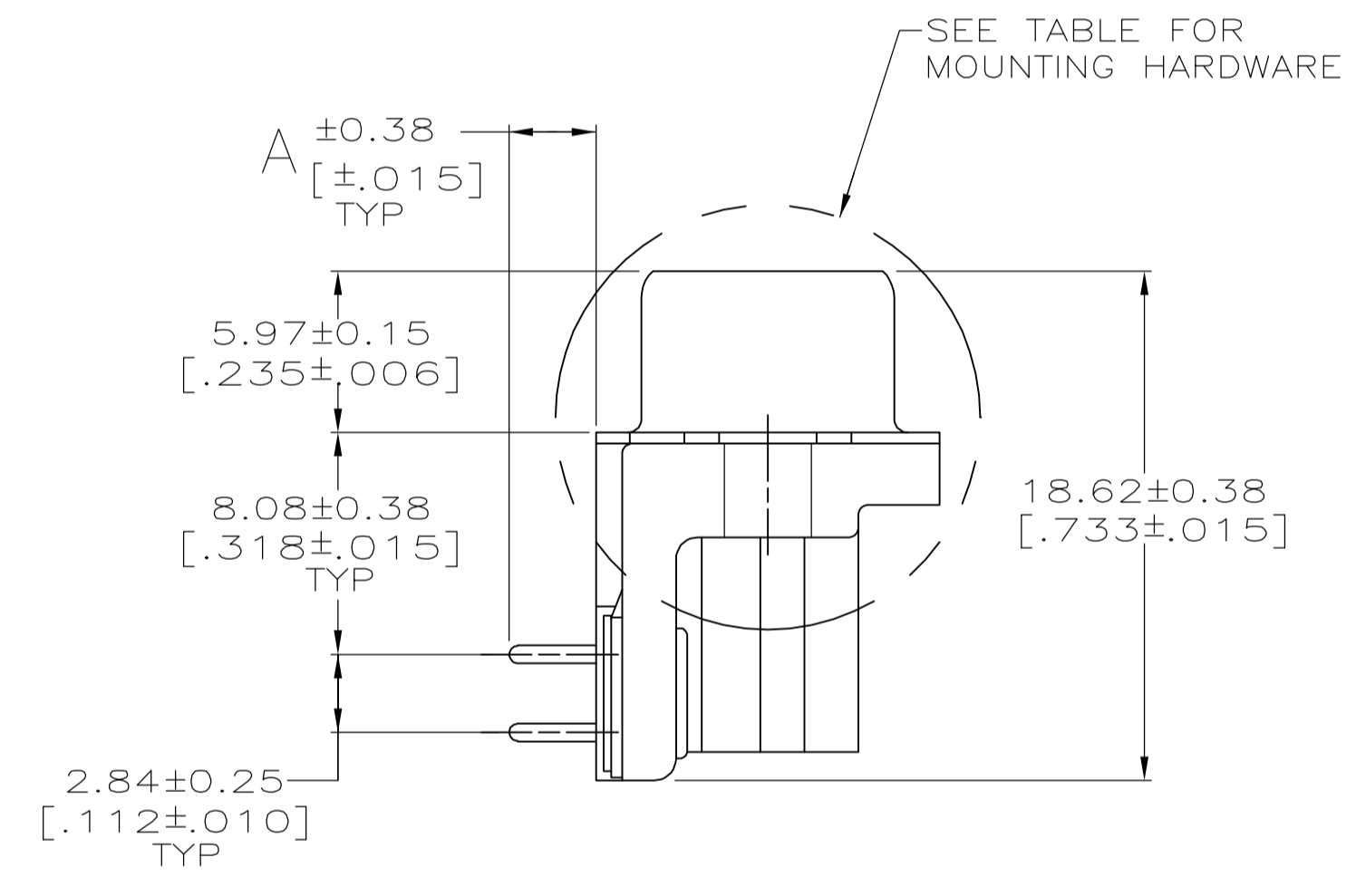
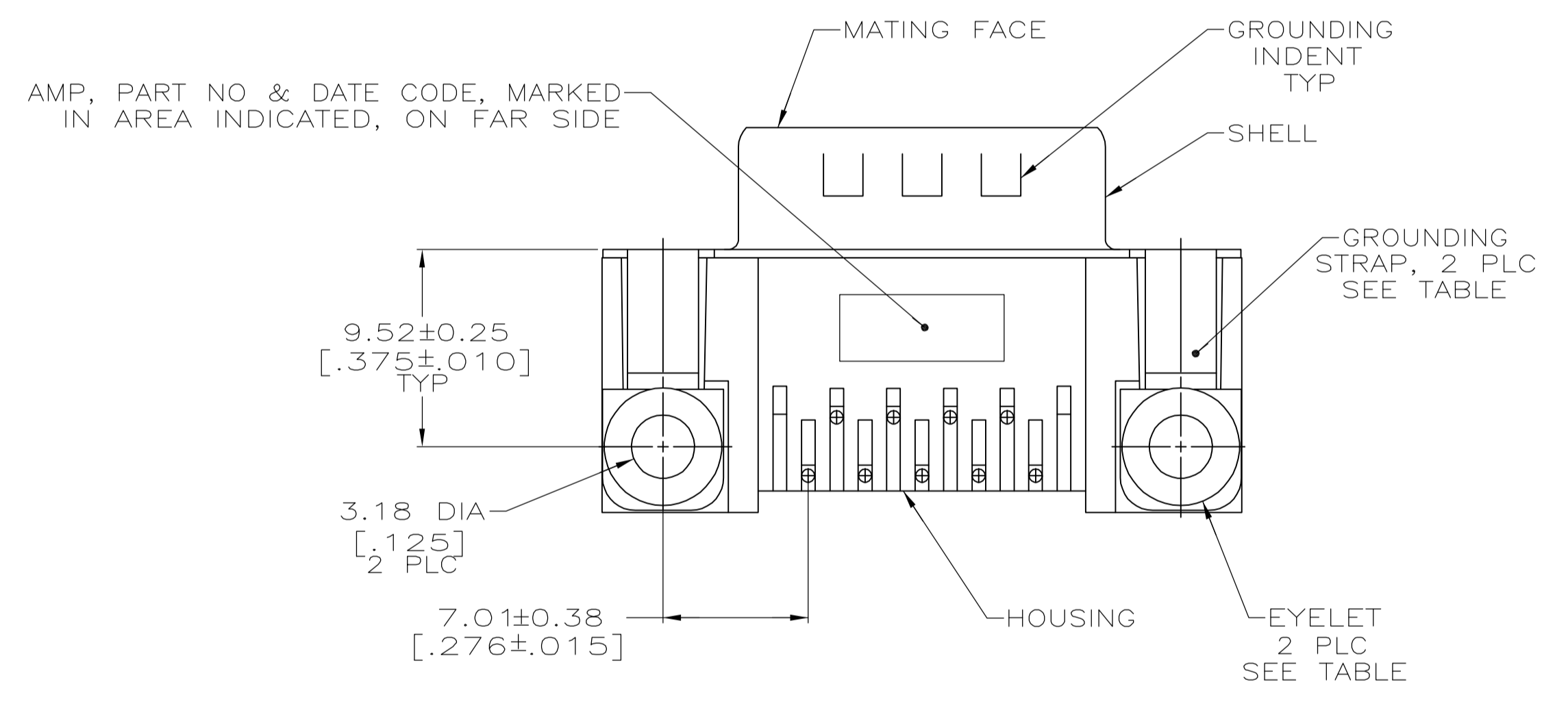
FOR -5, -6, -11 & -12 ONLY

DETAIL G
2 PLC

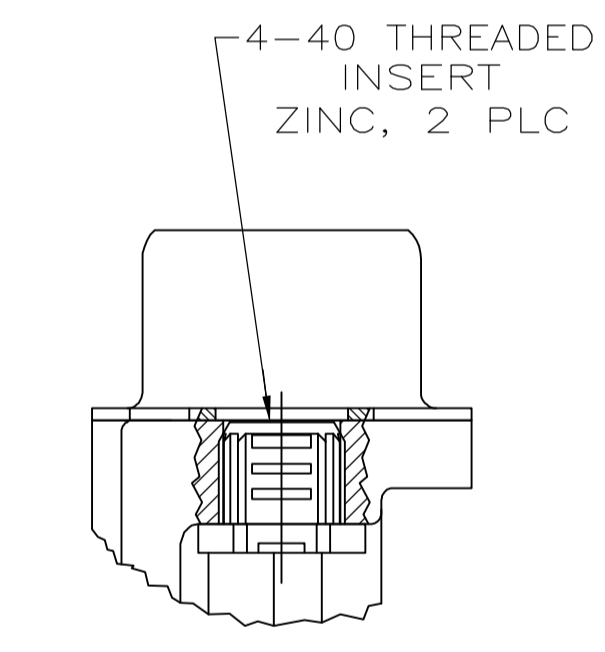


DETAIL B

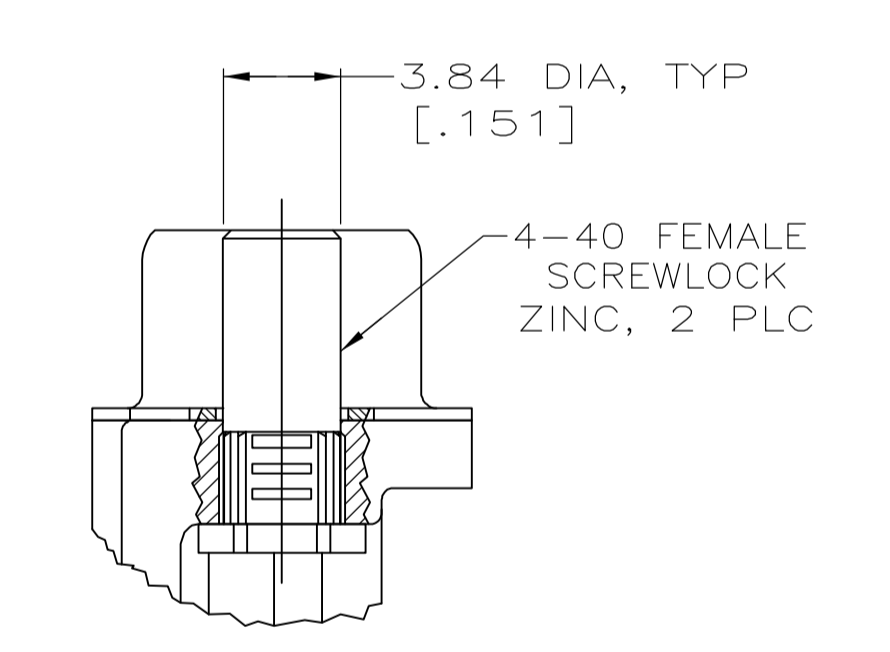
- ① HOUSING: BLACK NYLON OR POLYESTER, FLAME RETARDANT, UL 94V-0 RATED, GLASS FILLED
 CONTACTS: BRASS
 SHELLS: CARBON STEEL
 EYELETS: BRASS
- ② GOLD PLATING FOR LENGTH OF 3.81 [.150] MIN FROM MATING END, GOLD FLASH IN MATED AREA, 2.54μm [.000100] MIN TIN OR TIN-LEAD FOR A LENGTH OF 3.56 [.140] MIN FROM OPPOSITE END, BOTH OVER 1.27μm [.000050] MIN NICKEL.
- ③ GOLD PLATED FOR LENGTH OF 3.81 [.150] MIN FROM MATING END, 0.76μm [.000030] MIN GOLD IN MATED AREA, 2.54μm [.000100] MIN TIN OR TIN-LEAD FOR A LENGTH OF 3.56 [.140] MIN FROM OPPOSITE END, BOTH OVER 1.27μm [.000050] MIN NICKEL.
 -OR-
 GOLD FLASH OVER MIN PALLADIUM NICKEL FOR A LENGTH OF 3.81 [.150] MIN FROM MATING END, 0.76μm [.000030] PALLADIUM NICKEL IN MATED AREA, 2.54μm [.000100] MIN TIN OR TIN-LEAD FOR A LENGTH OF 3.56 [.140] FROM OPPOSITE END, BOTH OVER 1.27μm [.000050] MIN NICKEL.
- ④ SHELLS: 2.54μm [.000100] MIN TIN OVER 1.27μm [.000050] MIN COPPER
 EYELETS: 5.08μm [.000200] MIN TIN OVER COPPER FLASH
 CONTACTS: SEE TABLE
 SCREWLOCK AND INSERT: CLEAR CHROMATE
- ⑤ THIS CONNECTOR IS COMPATIBLE WITH TYPICAL SURFACE MOUNT SOLDERING PROCESSES CONSISTING OF 418°F MAX TEMPERATURE AND 3 MINUTES MAX EXPOSURE TIME.
- ⑥ SCREWLOCKS AND LOCKWASHERS FOR 1-747250-3 ASSEMBLY WILL BE BULK PACKED AND SHIPPED WITH ASSEMBLIES.
- ⑦ OBSOLETE PART NUMBER.
- ⑧ SUPERSEDED BY 747250-2.
- ⑨ SUPERSEDED BY 747250-6.



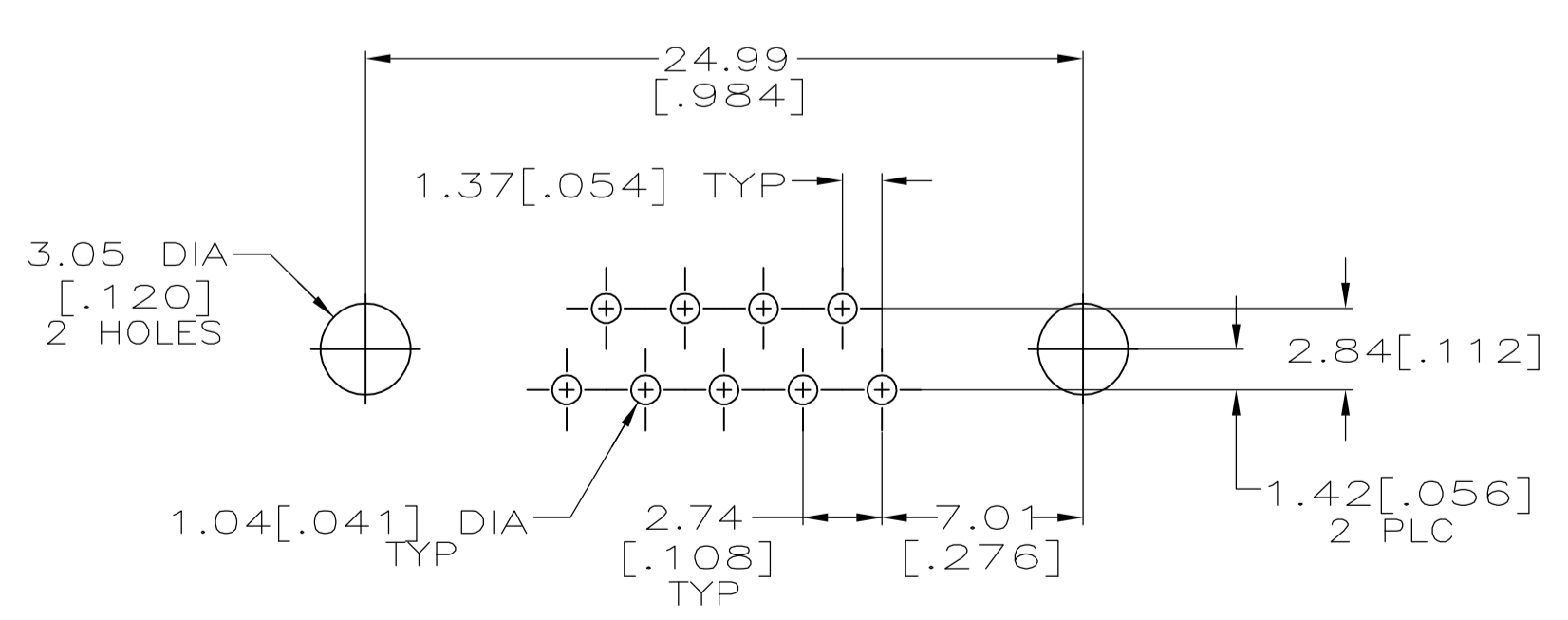
DETAIL C



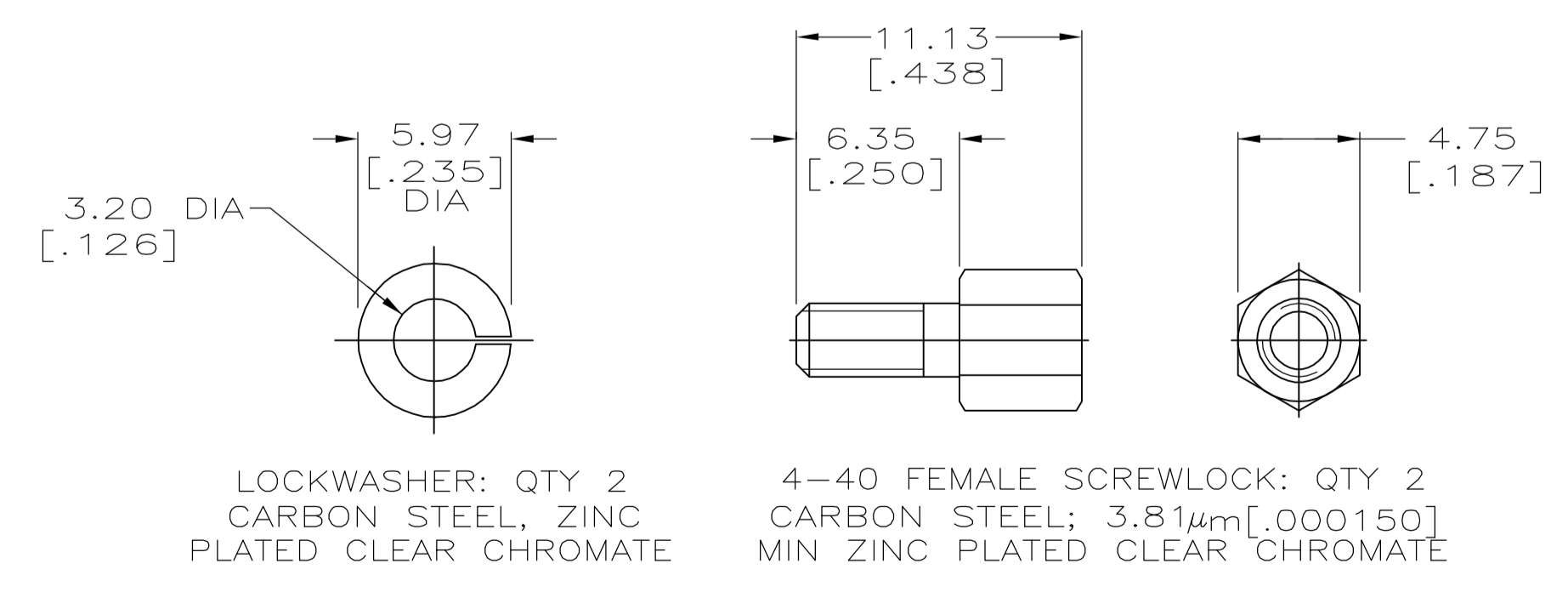
DETAIL D



DETAIL E



P.C. BOARD MOUNTING DIMENSIONS



⑥ DETAIL F

A	GROUNDING STRAPS	YES	YES	-	③	⑨ 1-747250-5
				SEE DETAIL C	③	⑨ 1-747250-4
				SEE DETAILS D AND F	③	⑨ 1-747250-3
				SEE DETAIL E	③	⑨ 1-747250-2
				SEE DETAIL D	②	⑨ 1-747250-1
				-	③	⑨ 1-747250-0
				-	②	⑨ 747250-9
				-	③	⑨ 747250-8
				-	②	⑨ 747250-7
				-	③	⑨ 747250-6
A	EYELETS	NO	NO	SEE DETAIL D	③	⑨ 747250-5
				SEE DETAIL D	③	⑨ 747250-4
				SEE DETAIL D	③	⑨ 747250-3
				SEE DETAIL D	③	⑨ 747250-2
				SEE DETAIL D	②	⑨ 747250-1
				-	③	⑨ 747250-0
				-	②	⑨ 747250-9
				-	③	⑨ 747250-8
				-	②	⑨ 747250-7
				-	③	⑨ 747250-6
A	MOUNTING HARDWARE	YES	YES	SEE DETAIL E	③	⑨ 747250-5
				SEE DETAIL D	③	⑨ 747250-4
				SEE DETAIL D	③	⑨ 747250-3
				SEE DETAIL D	③	⑨ 747250-2
				SEE DETAIL D	②	⑨ 747250-1
				-	③	⑨ 747250-0
				-	②	⑨ 747250-9
				-	③	⑨ 747250-8
				-	②	⑨ 747250-7
				-	③	⑨ 747250-6
A	CONTACT FINISH	YES	YES	SEE DETAIL D	③	⑨ 747250-5
				SEE DETAIL D	③	⑨ 747250-4
				SEE DETAIL D	③	⑨ 747250-3
				SEE DETAIL D	③	⑨ 747250-2
				SEE DETAIL D	②	⑨ 747250-1
				-	③	⑨ 747250-0
				-	②	⑨ 747250-9
				-	③	⑨ 747250-8
				-	②	⑨ 747250-7
				-	③	⑨ 747250-6
A	PART NUMBER	YES	YES	SEE DETAIL D	③	⑨ 747250-5
				SEE DETAIL D	③	⑨ 747250-4
				SEE DETAIL D	③	⑨ 747250-3
				SEE DETAIL D	③	⑨ 747250-2
				SEE DETAIL D	②	⑨ 747250-1
				-	③	⑨ 747250-0
				-	②	⑨ 747250-9
				-	③	⑨ 747250-8
				-	②	⑨ 747250-7
				-	③	⑨ 747250-6

THIS DRAWING IS A CONTROLLED DOCUMENT. DWG: W.G. LENKER 05 OCT 89
 CHK: R. STONE 06 FEB 90
 APVD: W.D. GALLOWAY 06 FEB 90

TOLERANCES UNLESS OTHERWISE SPECIFIED:
 0 PLC ± -
 1 PLC ± -
 2 PLC ± 0.13[.005]
 3 PLC ± -
 4 PLC ± -
 ANGLES ± 2°

MATERIAL: ① FINISH: ④

THIS DRAWING IS A CONTROLLED DOCUMENT. DWG: W.G. LENKER 05 OCT 89
 CHK: R. STONE 06 FEB 90
 APVD: W.D. GALLOWAY 06 FEB 90

TYCO Electronics Tyco Electronics Corporation
 Harrisburg, PA 17105-3608

PLUG ASSEMBLY, SIZE 1, 9 POSITION, RIGHT ANGLE, FRONT METAL SHELL, .318 SERIES, AMPLIMITE® HD-20

SIZE: A1 CAGE CODE: 00779 DRAWING NO: 747250 RESTRICTED TO
 WEIGHT: -
 CUSTOMER DRAWING SCALE: 4:1 SHEET: 1 OF 1 REV: U