

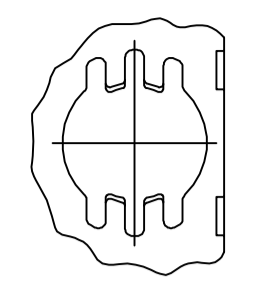
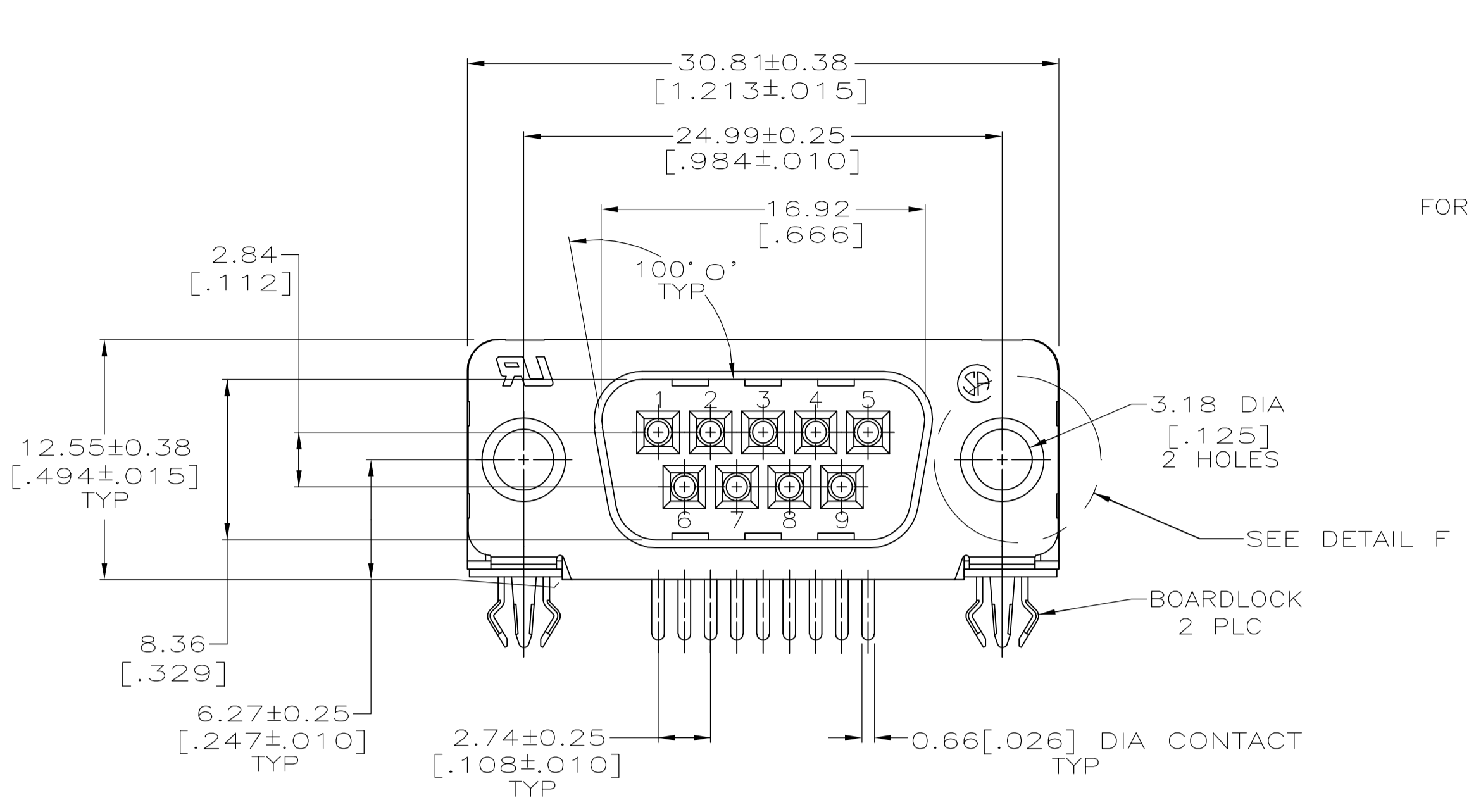
Distributed by:

JAMECO[®]
ELECTRONICS

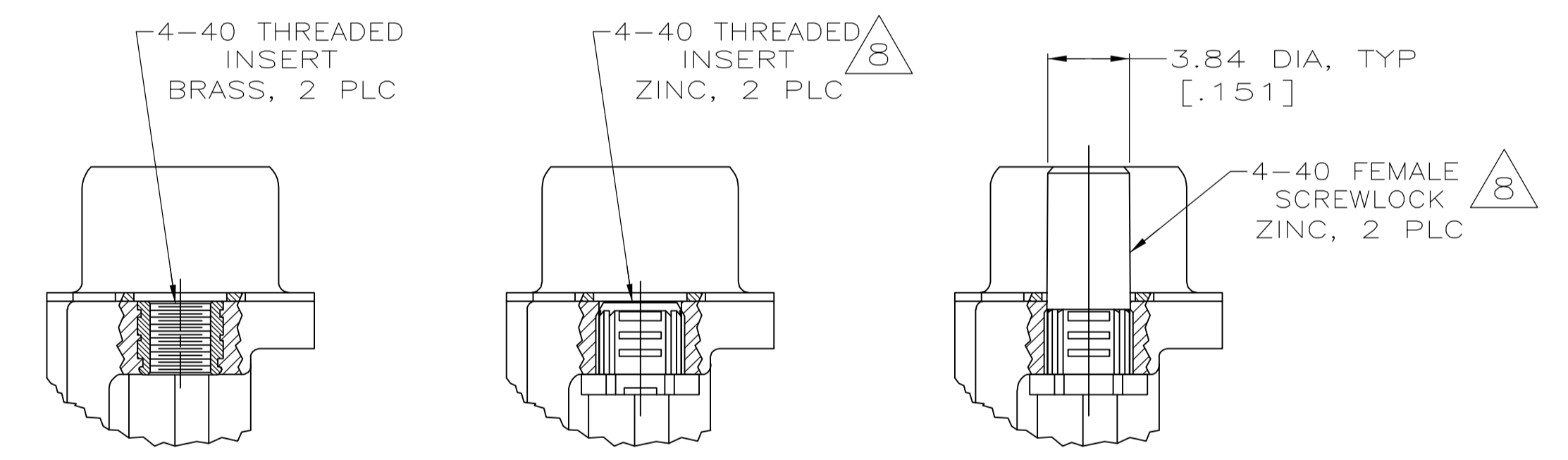
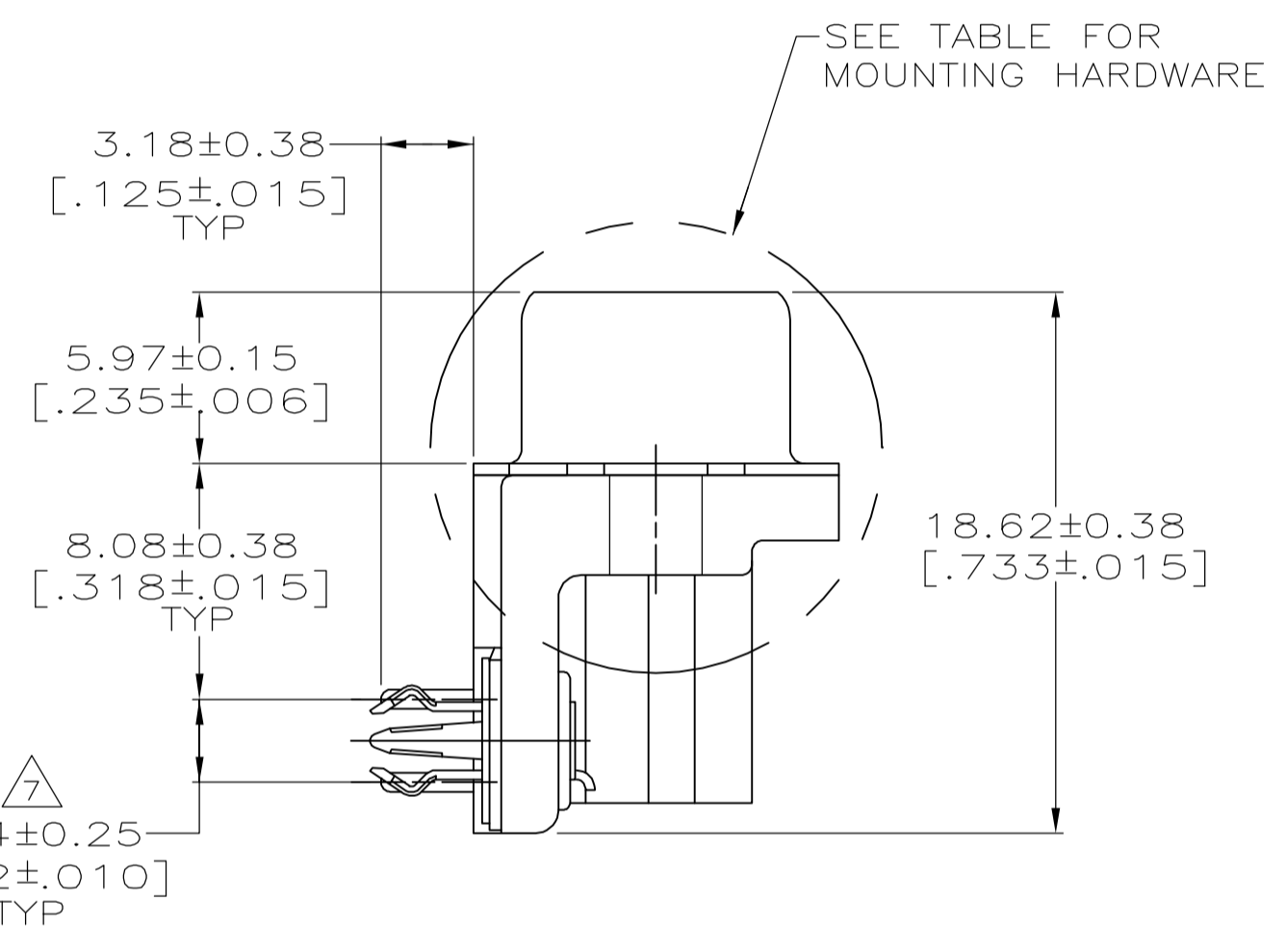
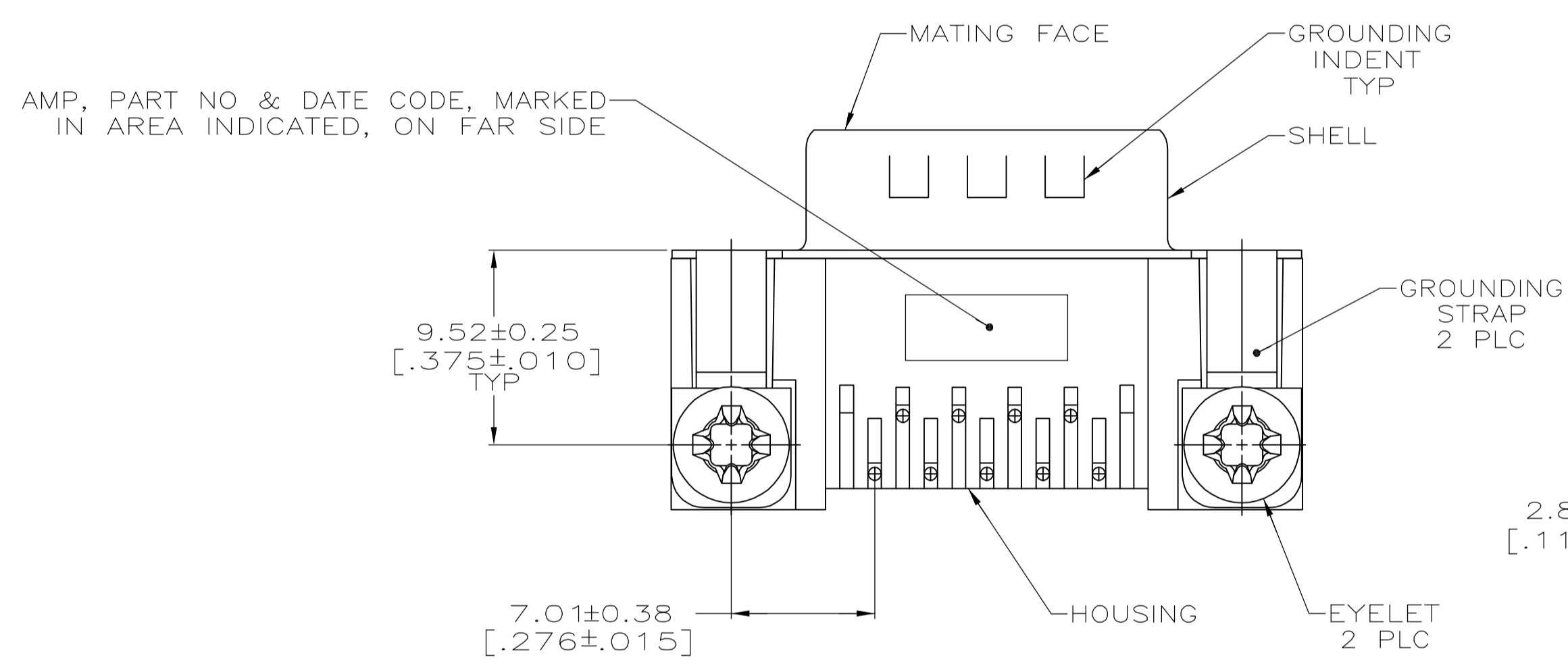
www.Jameco.com ♦ 1-800-831-4242

The content and copyrights of the attached
material are the property of its owner.

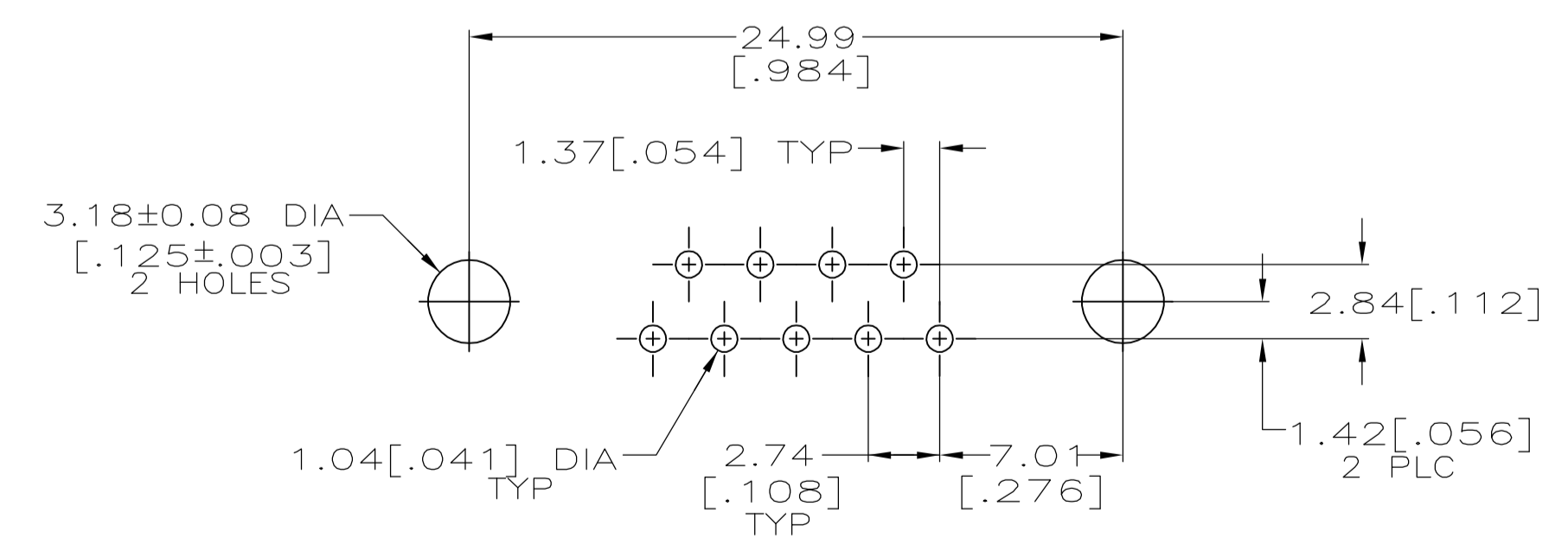
Jameco Part Number 614459



- ① HOUSING: NYLON OR POLYESTER, FLAME RETARDANT 94V-0 RATED, GLASS FILLED, BLACK
 SHELLS: CARBON STEEL
 CONTACTS: BRASS
 BOARDLOCKS: COPPER ALLOY
 EYELETS: BRASS
- ② SHELLS: 2.54μm [.000100] MIN TIN OVER 1.27μm [.000050] MIN COPPER.
 EYELETS: 5.08μm [.000200] MIN TIN OVER COPPER FLASH.
 CONTACTS AND BOARDLOCKS: SEE TABLE.
- ③ GOLD PLATED FOR A LENGTH OF 3.81 [.150] MIN FROM MATING END, GOLD FLASH IN MATED AREA, 2.54μm [.000100] MIN TIN OR TIN-LEAD FOR A LENGTH OF 3.56 [.140] MIN FROM OPPOSITE END, BOTH OVER 1.27μm [.000050] MIN NICKEL.
- ④ GOLD PLATED FOR A LENGTH OF 3.81 [.150] MIN FROM MATING END, 0.76μm [.000030] MIN GOLD IN MATED AREA, 2.54μm [.000100] MIN TIN OR TIN-LEAD FOR A LENGTH OF 3.56 [.140] MIN FROM OPPOSITE END, BOTH OVER 1.27μm [.000050] MIN NICKEL.
 -OR-
 GOLD FLASH OVER PALLADIUM NICKEL PLATED FOR LENGTH OF 3.81 [.150] MIN FROM MATING END, 0.76μm [.000030] MIN PALLADIUM NICKEL IN MATED AREA, 2.54μm [.000100] MIN TIN OR TIN-LEAD FOR A LENGTH OF 3.56 [.140] MIN FROM OPPOSITE END, BOTH OVER 1.27μm [.000050] MIN NICKEL.
- ⑤ 5.08μm [.000200] MIN TIN-LEAD OVER 1.27μm [.000050] MIN NICKEL.
- ⑥ 5.08μm [.000200] MIN TIN OVER 1.27μm [.000050] MIN NICKEL.
- ⑦ DIMENSION APPLIES FROM CENTER OF CONTACTS.
- ⑧ CLEAR CHROMATE.



DETAIL C DETAIL D DETAIL E



	TRAY	SEE DETAIL E	⑥	④	7-747840-1
	-	SEE DETAIL E	⑥	③	7-747840-0
	TRAY	SEE DETAIL D	⑥	④	6-747840-9
	TRAY	SEE DETAIL D	⑥	③	6-747840-8
	-	-	⑥	④	6-747840-7
	OBSOLETE TRAY SPECIAL	SEE DETAIL D	⑤	④	1-747840-2
SUPSD BY 747840-6	TUBE	SEE DETAIL E	⑤	④	1-747840-0
SUPSD BY 747840-3	TUBE	SEE DETAIL D	⑤	③	747840-9
SUPSD BY 747840-4	TUBE	SEE DETAIL D	⑤	④	747840-8
	OBSOLETE	SEE DETAIL C	⑤	③	747840-7
	TRAY	SEE DETAIL E	⑤	④	747840-6
	-	SEE DETAIL E	⑤	③	747840-5
	TRAY	SEE DETAIL D	⑤	④	747840-4
	TRAY	SEE DETAIL D	⑤	③	747840-3
	OBSOLETE	-	⑤	④	747840-2
SUPSD BY 747840-2	-	-	⑤	③	747840-1
	PACKAGING	MOUNTING HARDWARE	BOARDLOCK FINISH	CONTACT FINISH	PART NUMBER

THIS DRAWING IS A CONTROLLED DOCUMENT. DWG: W.G. LENKER 05 OCT 89
 CHK: R. STONE 05 FEB 90
 APVD: M.D. GALLOWAY 06 FEB 90
 NAME: Tyco Electronics Corporation, Harrisburg, PA 17105-3608

DIMENSIONS: mm [INCHES]	TOLERANCES UNLESS OTHERWISE SPECIFIED:	PRODUCT SPEC: 108-40025	APPLICATION SPEC: 114-40010
0 PLC ± -	1 PLC ± -	2 PLC ± 0.13[.005]	3 PLC ± -
4 PLC ± -	ANGLES ± 2°	SIZE: A1	CAGE CODE: 00779
MATERIAL: ①	FINISH: ②	WEIGHT: -	DRAWING NO: 747840

CUSTOMER DRAWING SCALE: 4:1 SHEET: 1 of 1 REV: W