

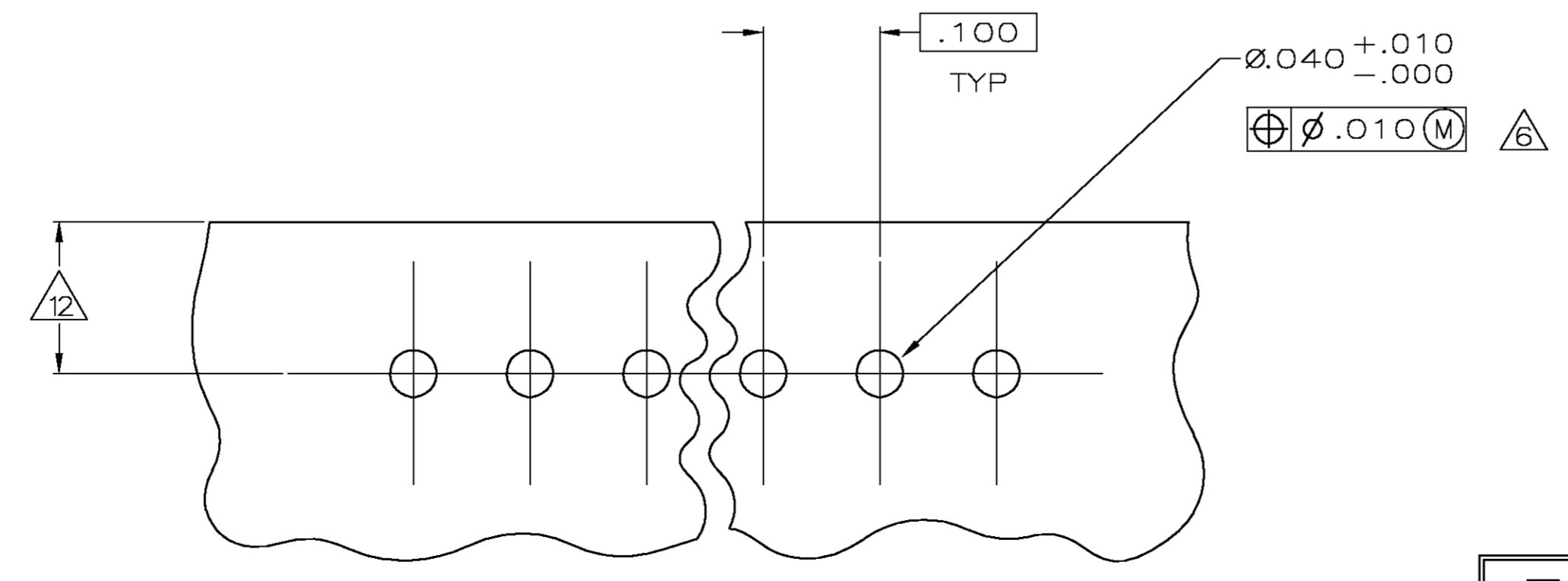
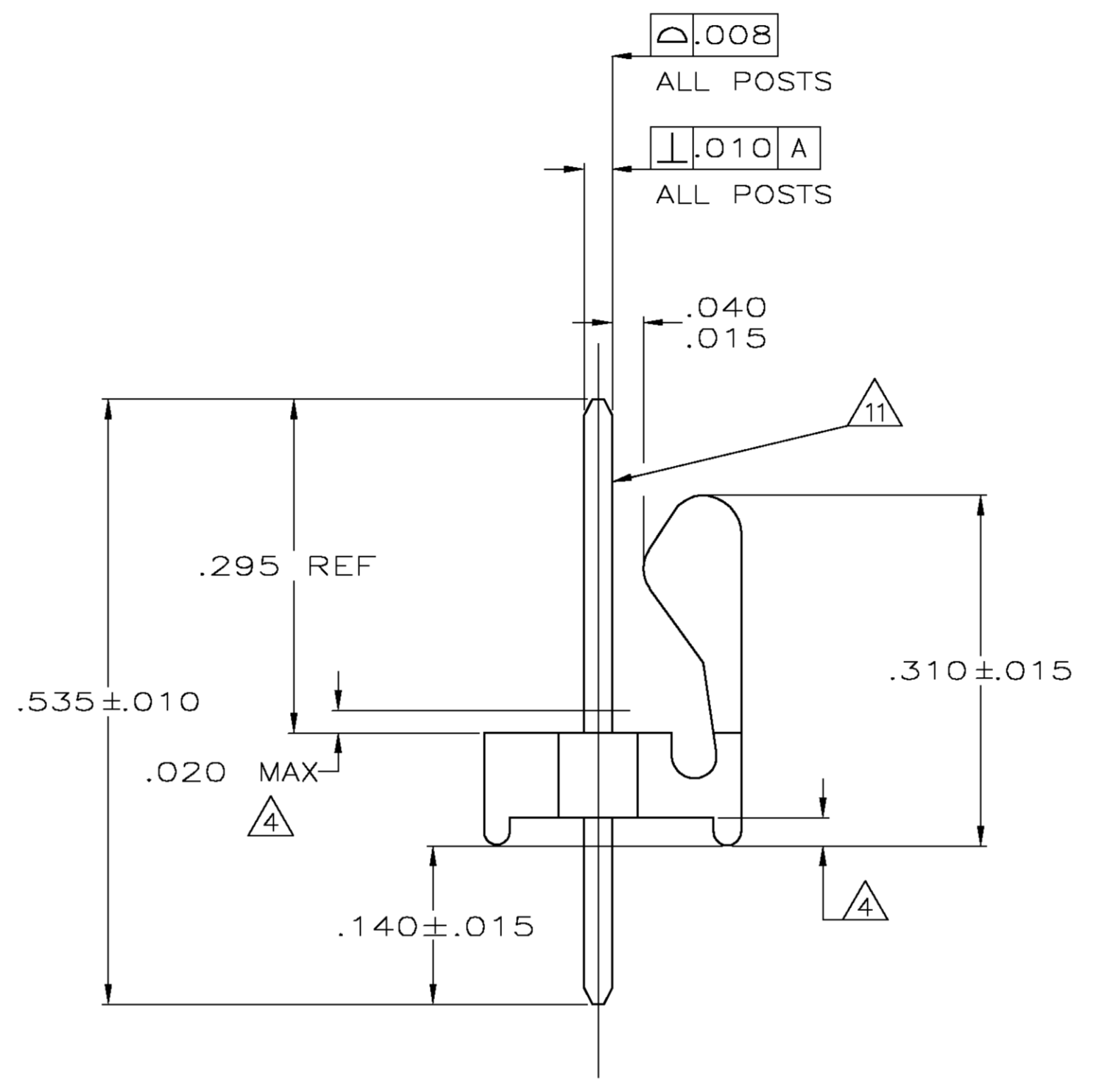
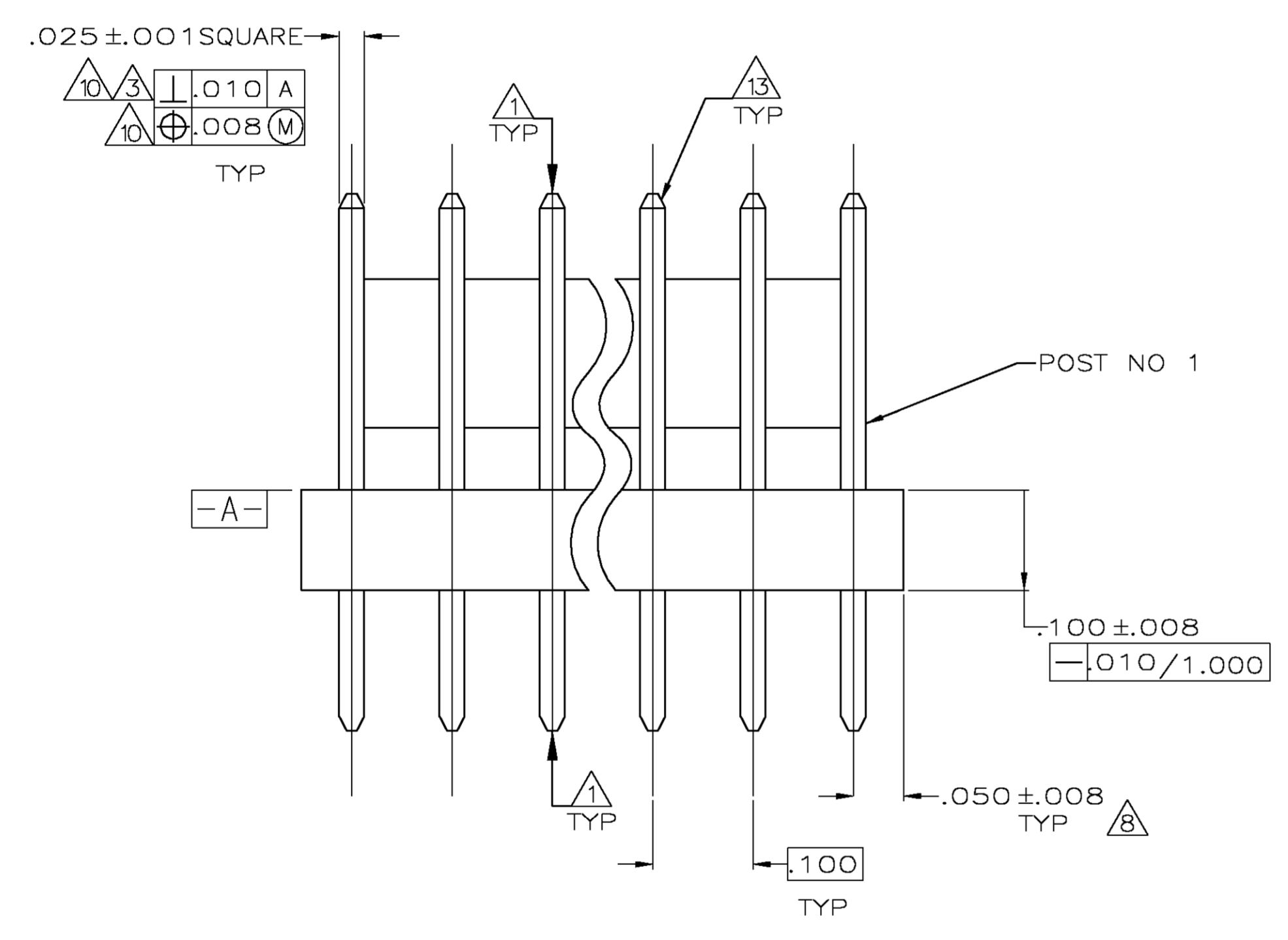
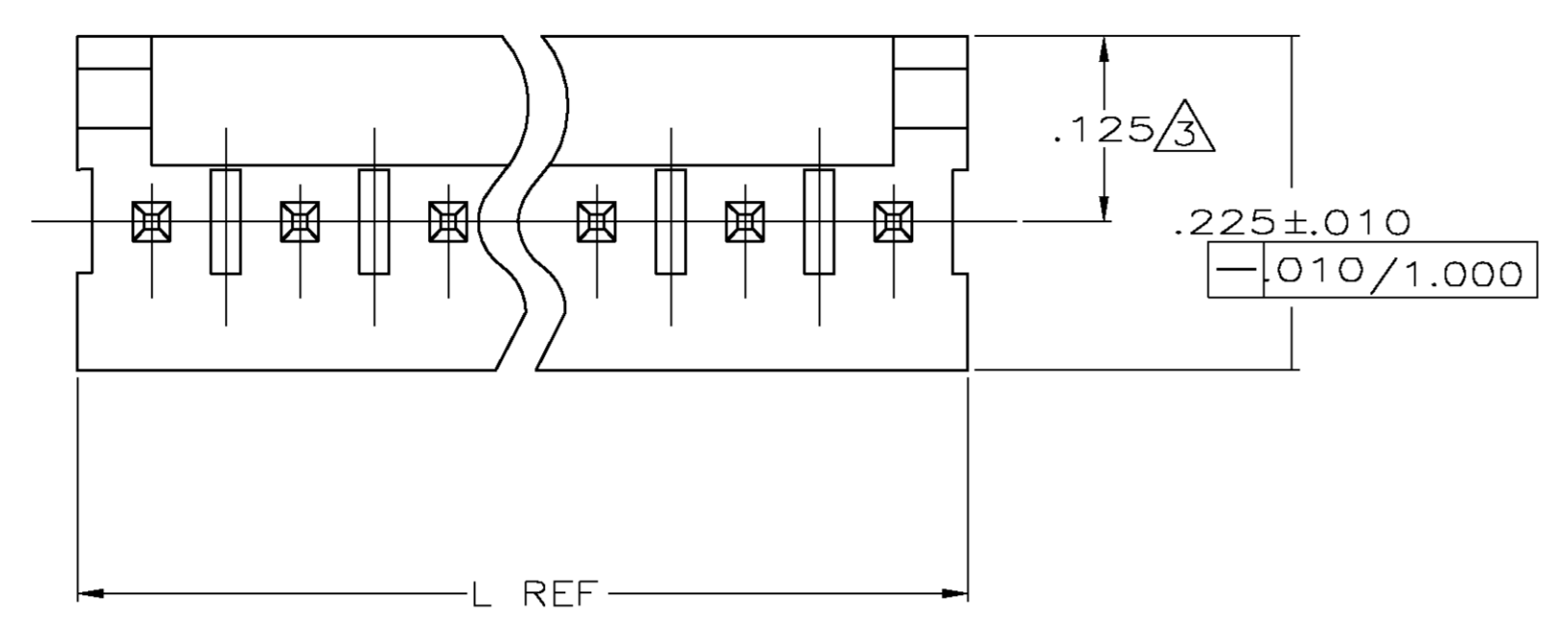
Distributed by:

**JAMECO**<sup>®</sup>  
ELECTRONICS

**www.Jameco.com ♦ 1-800-831-4242**

The content and copyrights of the attached  
material are the property of its owner.

Jameco Part Number 614918



| IN    | MM    | IN   | MM    |
|-------|-------|------|-------|
| 1.000 | 25.40 |      |       |
| .035  | 0.89  | .535 | 13.59 |
| .032  | 0.81  | .310 | 7.87  |
| .025  | 0.64  | .295 | 7.49  |
| .020  | 0.51  | .225 | 5.72  |
| .015  | 0.38  | .140 | 3.56  |
| .010  | 0.25  | .130 | 3.30  |
| .008  | 0.20  | .125 | 3.18  |
| .005  | 0.13  | .100 | 2.54  |
| .003  | 0.08  | .063 | 1.60  |
| .001  | 0.03  | .050 | 1.27  |
| .000  | 0.00  | .040 | 1.02  |

- 1. POST TO WITHSTAND 13 NEWTONS (3 LBS) MIN. AXIAL FORCE IN BOTH DIRECTIONS SHOWN WITHOUT DISLODGING.
- 2. TOLERANCES APPLY TO SOLDER SIDE OF BOARD.
- 3. MEASURED AT SURFACE -A-
- 4. PLASTIC FLASH PERMITTED IN THIS AREA.
- 5. PARTS COMPLY WITH AMP SOLDERABILITY SPEC. NO. 109-11-2.
- 6. ONE HOLE MAY BE UNDERSIZED (.032-.035 DIA) FOR ASSEMBLY RETENTION DURING WAVE SOLDERING.
- 7. MATERIAL: HEADER-THERMOPLASTIC POLYESTER  
UL94V-0(NATURAL)  
POST-COPPER ALLOY (TIN-PLATED)
- 8. COORDINATE DIMENSION APPLIES FROM CENTER OF ACTUAL FEATURE.
- 9. PLASTIC BURRS CAUSED BY CUT-OFF TOOLING ARE PERMITTED WITHIN THE MAXIMUM TOLERANCE ENVELOPE.
- 10. POSTS TO BE MEASURED WHEN STRIP IS HELD FLAT.
- 11. POSTS MUST WITHSTAND TWO 90° BENDS AGAINST EXTRUSION WITHOUT BREAKING.
- 12. DIMENSION SHOULD BE .130 MIN WHEN MATING WITH A MTA 100 CONNECTOR ASSEMBLY OR A CST 100 CONNECTOR.
- 13. PIN BURR OF .005 MAX. VERTICAL AND .003 MAX. HORIZONTAL PERMITTED AT POST TIPS ON BOTH ENDS.

| L     | MM    | NO OF POSITIONS | PART NUMBER |
|-------|-------|-----------------|-------------|
| 2.800 | 71.12 | 28              | 2-640456-8  |
| 2.700 | 68.58 | 27              | 2-640456-7  |
| 2.600 | 66.04 | 26              | 2-640456-6  |
| 2.500 | 63.50 | 25              | 2-640456-5  |
| 2.400 | 60.96 | 24              | 2-640456-4  |
| 2.300 | 58.42 | 23              | 2-640456-3  |
| 2.200 | 55.88 | 22              | 2-640456-2  |
| 2.100 | 53.34 | 21              | 2-640456-1  |
| 2.000 | 50.80 | 20              | 2-640456-0  |
| 1.900 | 48.26 | 19              | 1-640456-9  |
| 1.800 | 45.72 | 18              | 1-640456-8  |
| 1.700 | 43.18 | 17              | 1-640456-7  |
| 1.600 | 40.64 | 16              | 1-640456-6  |
| 1.500 | 38.10 | 15              | 1-640456-5  |
| 1.400 | 35.56 | 14              | 1-640456-4  |
| 1.300 | 33.02 | 13              | 1-640456-3  |
| 1.200 | 30.48 | 12              | 1-640456-2  |
| 1.100 | 27.94 | 11              | 1-640456-1  |
| 1.000 | 25.40 | 10              | 1-640456-0  |
| .900  | 22.86 | 9               | 640456-9    |
| .800  | 20.32 | 8               | 640456-8    |
| .700  | 17.78 | 7               | 640456-7    |
| .600  | 15.24 | 6               | 640456-6    |
| .500  | 12.70 | 5               | 640456-5    |
| .400  | 10.16 | 4               | 640456-4    |
| .300  | 7.62  | 3               | 640456-3    |
| .200  | 5.08  | 2               | 640456-2    |

**METRIC**

RECOMMENDED MOUNTING HOLE PATTERN FOR .063 THICK P.C. BOARD

THIS DRAWING IS A CONTROLLED DOCUMENT.

|                    |  |           |           |           |              |           |                |          |
|--------------------|--|-----------|-----------|-----------|--------------|-----------|----------------|----------|
| DIMENSIONS: INCHES | TOLERANCES UNLESS OTHERWISE SPECIFIED: | 0/PLC ± - | 1/PLC ± - | 2/PLC ± - | 3/PLC ± .005 | 4/PLC ± - | ANGLES ± 0.30° | FINISH 7 |
|--------------------|--|-----------|-----------|-----------|--------------|-----------|----------------|----------|

|                    |           |                    |                    |  |
|--------------------|-----------|--------------------|--------------------|--|
| DRAWN: K. WHITAKER | 11JUN2004 | DESIGNED: D. BOSSI | 11JUN04            | NAME: MTA-100 HEADER ASSEMBLY, POLARIZED, NOTCHED, .025 SQUARE STRAIGHT POST, TIN PLATED |
| CHECKED: D. BOSSI  | 11JUN04   | APPROVED: D. BOSSI | 11JUN04            | SIZE: A1   |
| MATERIAL: 7        | WEIGHT: - | CAGE CODE: 00779   | DRAWING NO: 640456 | RESTRICTED TO: -   |
| CUSTOMER DRAWING   |           | SCALE: 8:1         | SHEET: 1 OF 1      | REV: W   |

Tyco Electronics Corporation  
Greensboro, NC 27409