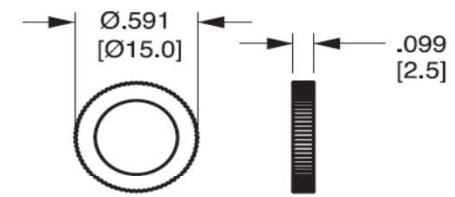
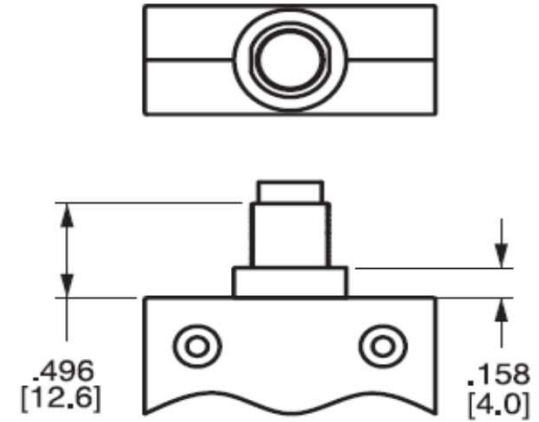
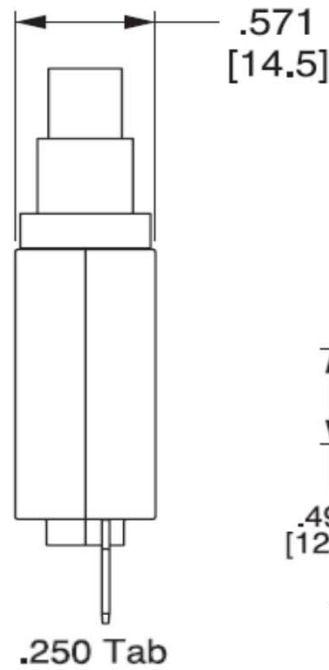
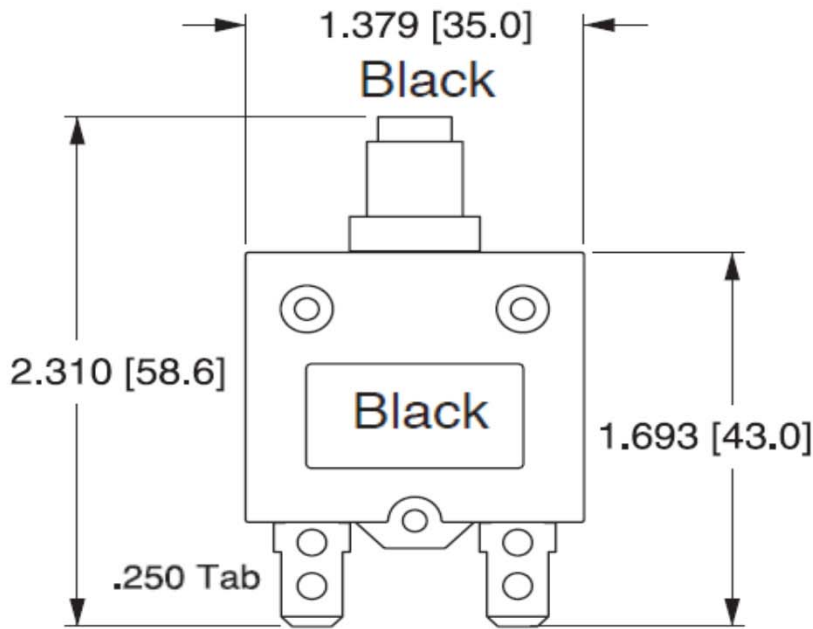


Single Pole Pushbutton Thermal Circuit Breaker

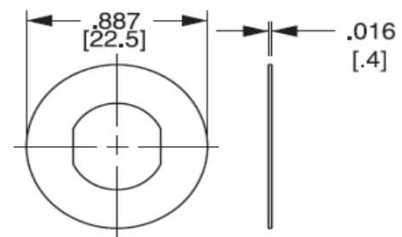
35-2115

ROHS Compliant

15 Amps
125-250VAC, 32VDC

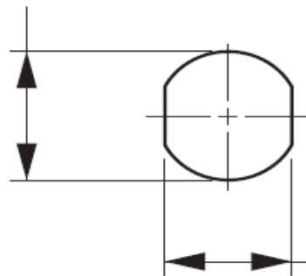


Indicator Plate
Silver Printing on Black
"Suppl. Prot. press to reset".



M11 mounting hole

$\begin{matrix} +.008 & +.20 \\ -.000 & -.00 \end{matrix}$
.441 [11.2]



$\begin{matrix} +.008 & +.20 \\ -.000 & -.00 \end{matrix}$
.394 [10.0]

Terminals are .0315 [.8] thickness for ratings < 35 Amps

- Dielectric Strength:**
2500 VAC/1 minute
- Interrupting capacity:**
2500 amps @ 32 VDC
- Insulation Resistance:**
100M ohms
- Operating Temperature:**
-10°C to 60°C
- Voltage drop:**
< 0.25 V

CLB-153-11A1B-B-A