



Current Sense / Low Frequency Transformers

CSE187L, CSE187L-P

Description:

Triad's low frequency current sense transformers are designed to monitor current from 0.1 to 30 amperes at frequencies from 50 Hz to 400 Hz. These products come either as potted or in open coil construction with air-cooled, insulated windings.

Electrical Specifications at 25° C:

Turns ratio: Primary to sense 1: 500

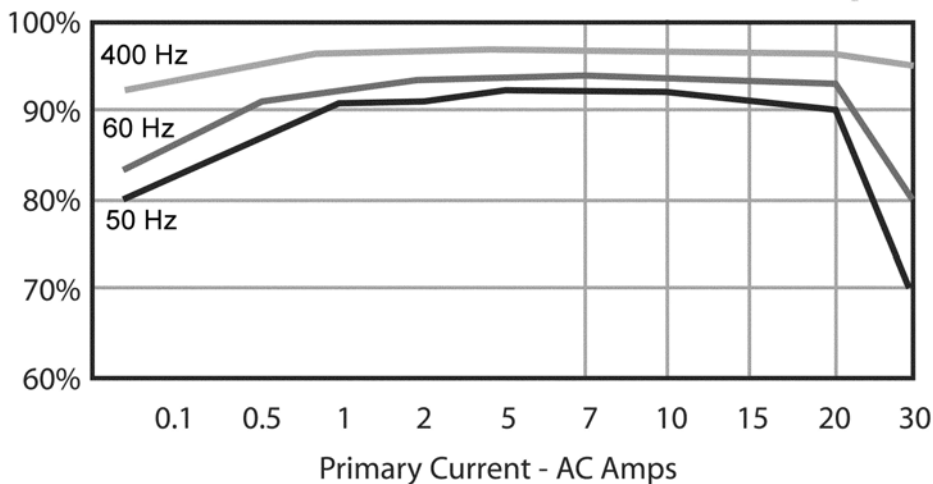
Suggested burden resistor: 60Ω

Typical output: 110mV/Amp

Primary DCR: 250 micro ohms maximum

Sense DCR: 21 ohms maximum

Response Curve:



Construction:

These transformers are provided with Recognized Component electrical insulation system (OBJY2), Class 130 (B), designated "B3". Products are designed, built and 100% tested for a hi-pot of 2500V, winding to winding and 1250V, winding to core.

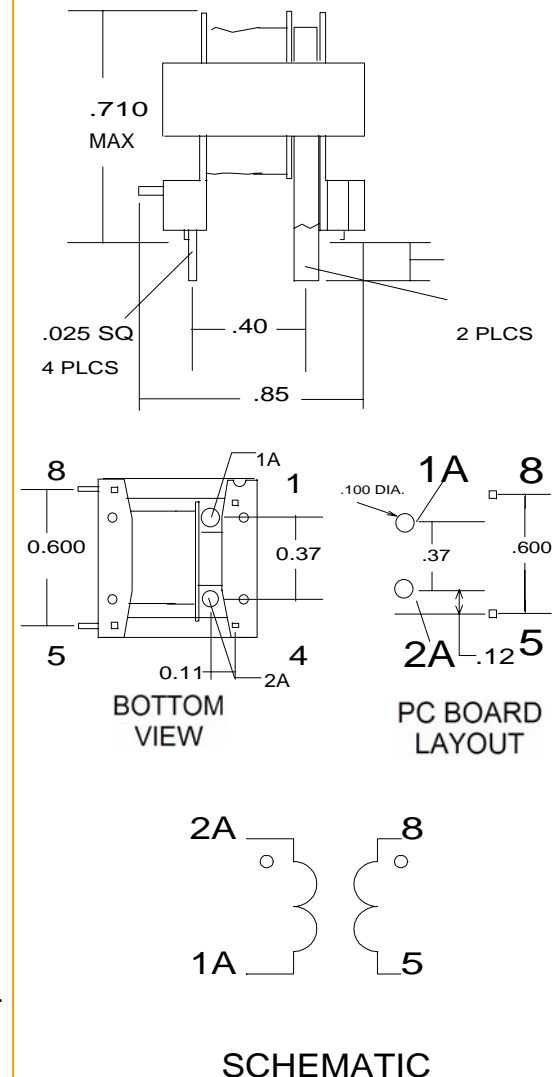
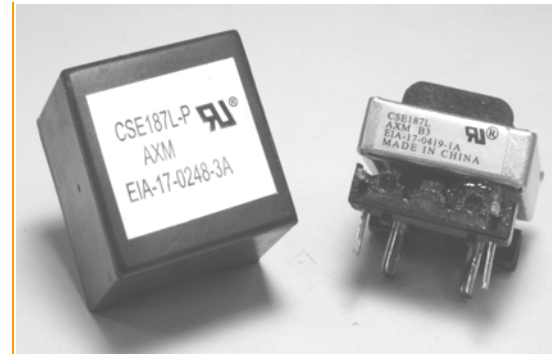
Agency Files:

UL file E50476 – Electrical Insulation Systems, Class "B3", 130C

UL file E205349 – Component, Instrument Transformer (XODW2)

RoHS Compliance: As of manufacturing date February 2005, all standard products meet the requirements of 2002/95/EC, known as the RoHS initiative.

*Upon printing, this document is considered "uncontrolled". Please contact Triad Magnetics website for the most current version.



web: www.TriadMagnetics.com
 Phone 951-277-0757
 Fax 951-277-2757

22520B Temescal Canyon Road
 Corona, California
 92883

Release Date: July 7, 2005
 Revision: B