

Distributed by:

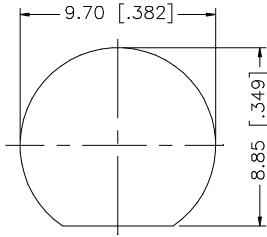
**JAMECO<sup>®</sup>**  
**ELECTRONICS**

[www.Jameco.com](http://www.Jameco.com) ♦ 1-800-831-4242

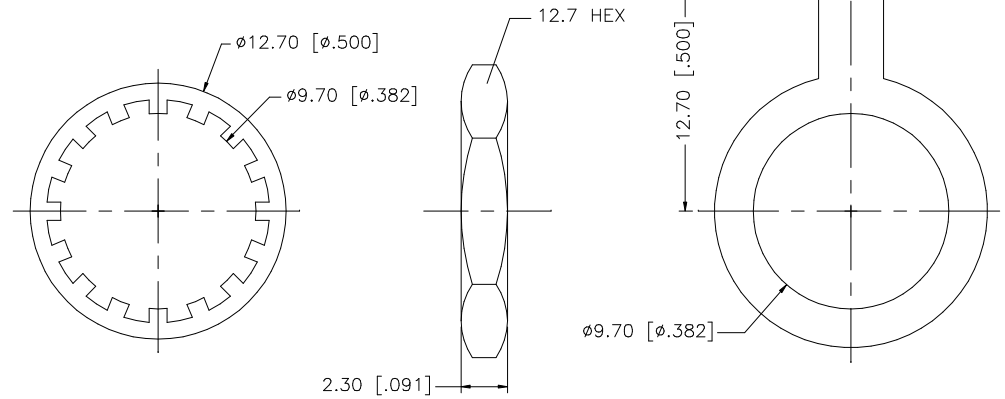
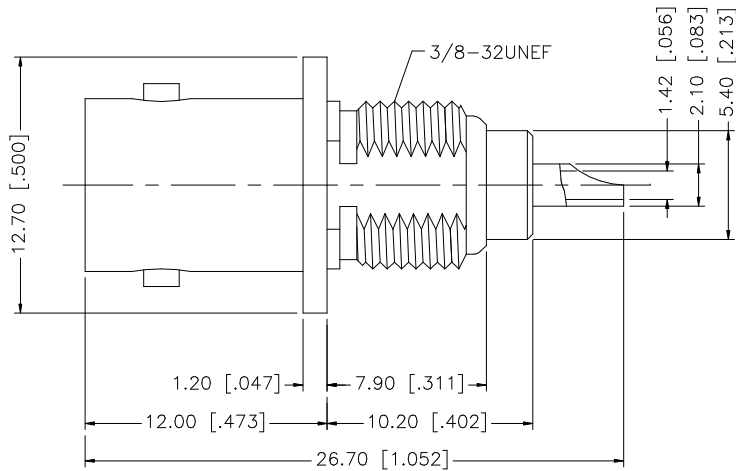
The content and copyrights of the attached  
material are the property of its owner.

Jameco Part Number 658427

REV.	DATE	DESCRIPTION
A	01/07/04	UPDATE DRAWING FORMAT



RECOMMENDED MOUNTING HOLE



QTY	DESCRIPTION	MATERIAL	FINISH
1	BODY	BRASS	NICKEL
1	CONTACT PIN	PHOS. BRONZE	GOLD
1	INSULATOR	DELTRIN	NATURAL
1	LOCK WASHER	BRASS	NICKEL
1	HEX NUT	BRASS	NICKEL
1	SOLDER TAB	BRASS	NICKEL

UNLESS OTHERWISE SPECIFIED DIMENSIONS ARE IN MILLIMETERS. DIMENSIONS IN [ ] ARE IN INCHES AND FOR CUSTOMER REFERENCE ONLY.

UNLESS OTHERWISE SPECIFIED TOLERANCES FOR MILLIMETERS ARE:  
0.5 - 8mm ± 0.20mm  
8 - 30mm ± 0.40mm  
30 - 120mm ± 0.50mm

UNLESS OTHERWISE SPECIFIED TOLERANCES FOR INCHES ARE:  
.020 - .315 = ± 0.007"  
.315 - 1.180 = ± 0.015"  
1.180 - 4.724 = ± 0.020"

DO NOT SCALE DRAWING

APPROVALS	DATE
DRAWN G.R.S.	01/07/04
CHECKED	
ISSUED	
SHEET 1 OF 1	
CAD FILE C:/112/112424.DWG	

**Amphenol Connex**

PART DESCRIPTION  
**BNC BULKHEAD RECEPTACLE JACK  
(50 ohms)**

PART NO.  
**112424**

DWG. NO. 112424.DWG	REV. A	SIZE A	SCALE NA
---------------------	--------	--------	----------