

Distributed by:

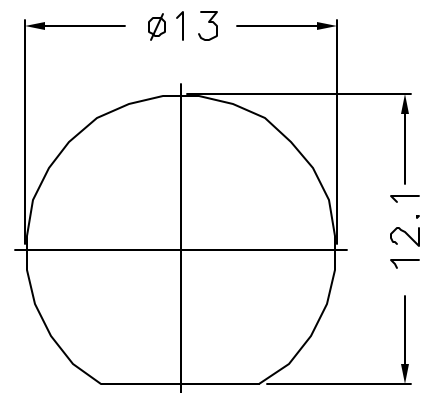
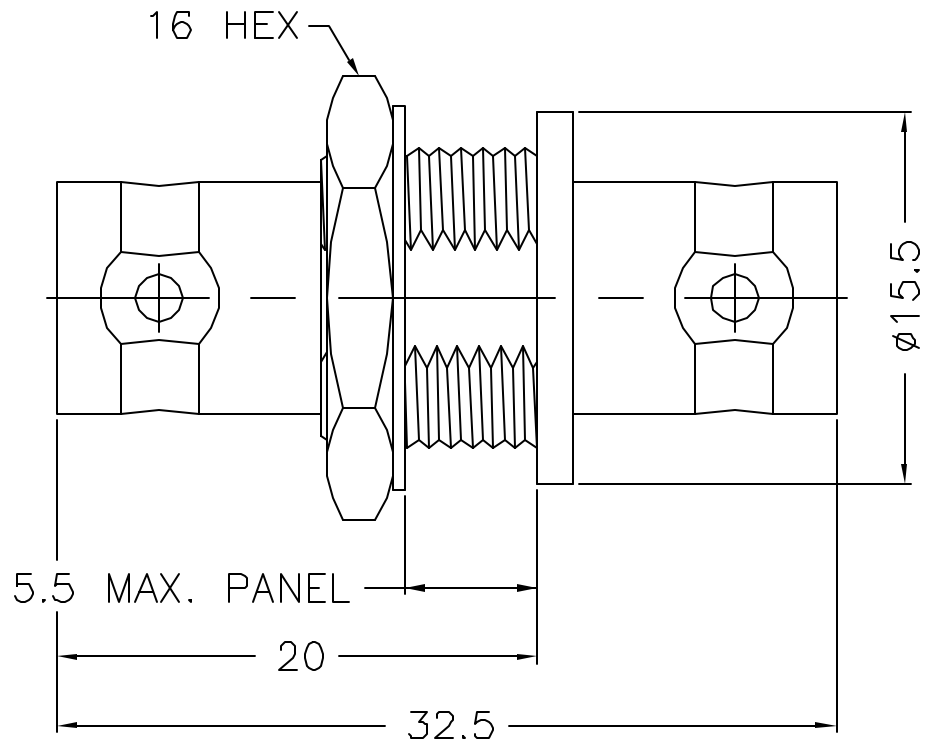
JAMECO[®]
ELECTRONICS

www.Jameco.com ♦ 1-800-831-4242


The content and copyrights of the attached
material are the property of its owner.

Jameco Part Number 658451

REVISIONS		DWG. NO.	SH	REV.
ZONE	LTR	DESCRIPTION	DATE	APPROVED



RECOMMENDED MOUNTING HOLE

DESCRIPTION	MATERIAL	FINISH	QTY	DIMENSIONS ARE IN MILLIMETERS UNLESS OTHERWISE SPECIFIED TOLERANCES ARE:	APPROVALS	DATE					
1 BODY	BRASS	NICKEL	1	0.5-8 = ± 0.2	DRAWN	B. BURTON	3/5/96	TITLE BNC JACK TO JACK BULKHEAD ADAPTER 50 OHMS			
2 INSULATOR	DELTRIN	NATURAL	1	8-30 = ± 0.4	CHECKED						
3 CONTACT PIN	BRASS	GOLD	1	30-120 = ± 0.8	ISSUED						
				120-315 = ± 1				SIZE	FSCM NO.	DWG. NO.	REV.
				315-1000 = ± 1.6				A	99001	112437 .DWG	
				1000-2000 = ± 2.4				SCALE 3.5:1	PART NO.	112437	SHEET 1 OF 1
				DO NOT SCALE DRAWING							