

Distributed by:

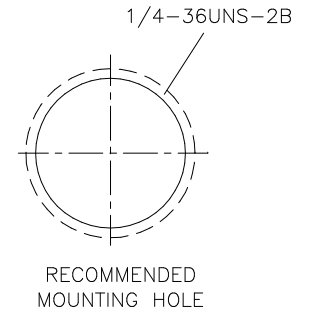
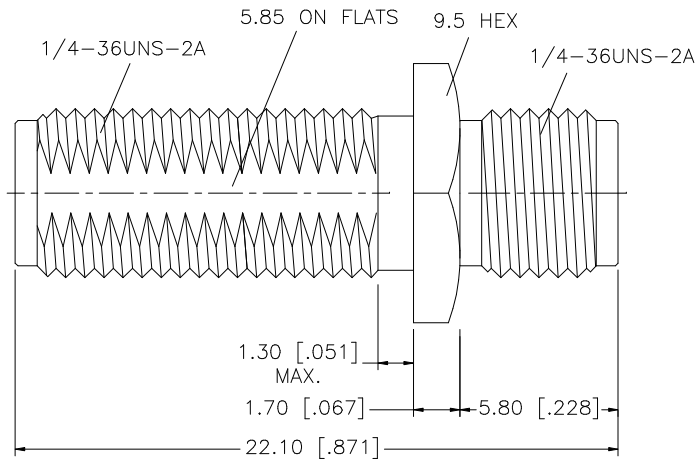
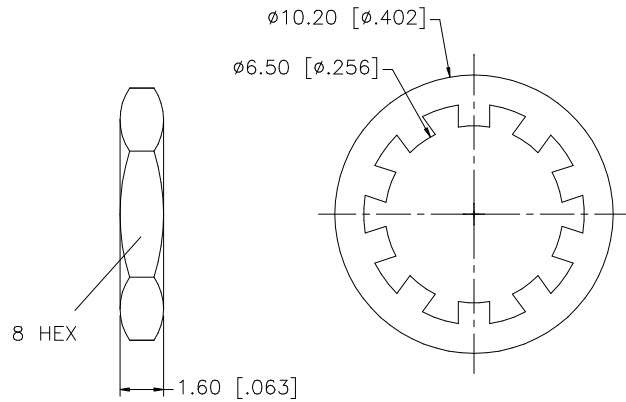
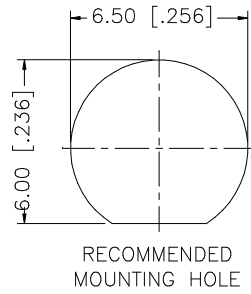
**JAMECO<sup>®</sup>**  
**ELECTRONICS**

[www.Jameco.com](http://www.Jameco.com) ♦ 1-800-831-4242

The content and copyrights of the attached  
material are the property of its owner.

Jameco Part Number 659059

REV.	DATE	DESCRIPTION
C	04/08/01	ADD NOTES AND MOUNTING HOLE
D	04/31/03	UPDATE DRAWING FORMAT



NOTES:

1. MAX. PANEL THICKNESS = 6.5mm  
MIN. PANEL THICKNESS = 2mm

DESCRIPTION	MATERIAL	FINISH	QTY	DO NOT SCALE DRAWING	APPROVALS	DATE	<h1 style="color: blue; margin: 0;">Amphenol Connex</h1>								
8				<small>UNLESS OTHERWISE SPECIFIED DIMENSIONS ARE IN MILLIMETERS. DIMENSIONS IN [ ] ARE IN INCHES AND FOR CUSTOMER REFERENCE ONLY.</small>  <small>UNLESS OTHERWISE SPECIFIED TOLERANCES FOR MILLIMETERS ARE:</small> 0.5 - 8mm ± 0.20mm 8 - 30mm ± 0.40mm 30 - 120mm ± 0.50mm  <small>UNLESS OTHERWISE SPECIFIED TOLERANCES FOR INCHES ARE:</small> .020 - .315 = ± 0.007" .315 - 1.180 = ± 0.015" 1.180 - 4.724 = ± 0.020"	DRAWN	G.R.S.	04/31/03	<h2 style="margin: 0;">SMA BULKHEAD FEMALE TO FEMALE ADAPTOR</h2>							
7					CHECKED							PART NO. <b>132170</b>			
6					ISSUED										
5	HEX NUT	BRASS	GOLD		1	SHEET	1 OF 1	REV.	D	SIZE	A	SCALE	NA		
4	LOCK WASHER	BRASS	GOLD		1										
3	CONTACT PIN	BER. COPPER	GOLD		1										
2	INSULATOR	TEFLON	NATURAL		1										
1	BODY	BRASS	GOLD		1										
					CAD FILE	C:/132/132170.DWG									