

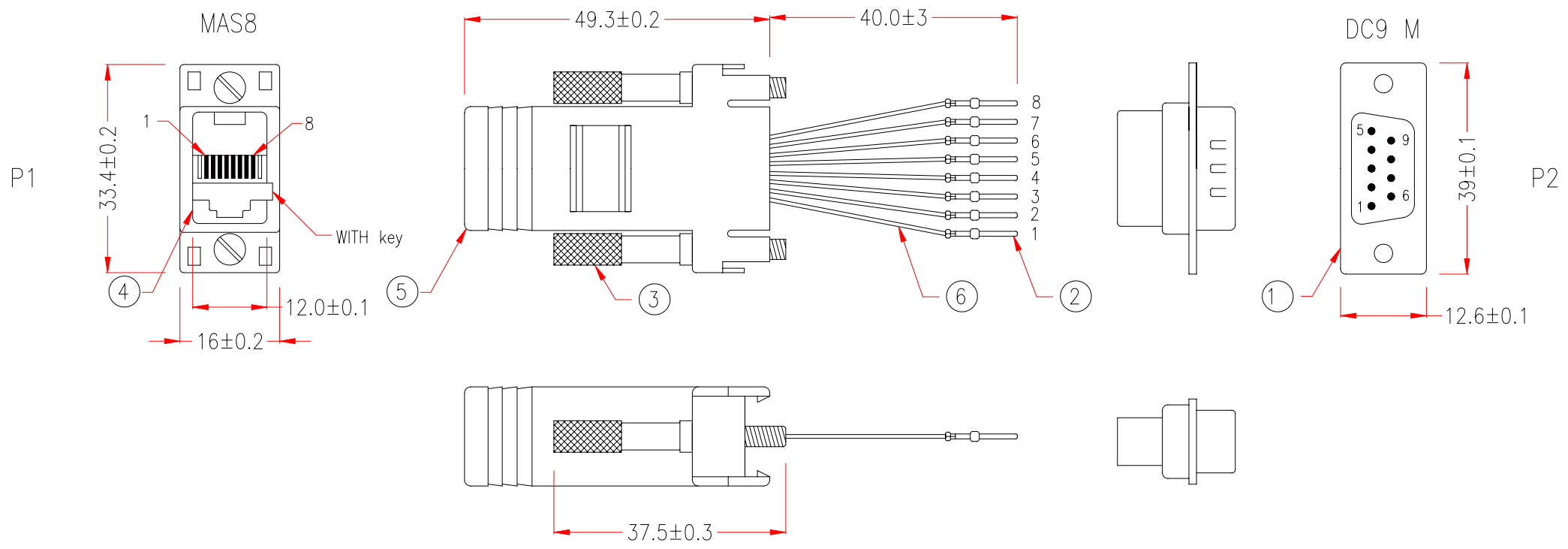
Distributed by:

JAMECO[®]
ELECTRONICS

www.Jameco.com ♦ 1-800-831-4242

The content and copyrights of the attached
material are the property of its owner.

Jameco Part Number 66191



0047	
P1	P2
1	BLUE
2	ORANGE
3	BLACK
4	RED
5	GREEN
6	YELLOW
7	BROWN
8	WHITE

NOTE: All relevant materials are complied with RoHS directive .

6	UL1061 26AWG INSULATOR WIRE, LENGTH 75mm	8	M304
5	SPASTIAC HOOD BLACK (8-9)	1set	曜志
4	8P8F, GOLD FLASH ON CONTACTS, BLACK INSULATOR	1set	M808
3	SCREW #4-40 NUC, LENGTH 37.5mm	2	M95
2	D-SUB TYPE, MALE TERMINAL	8	M108
1	DC9 MALE, BLACK INSULATOR	1	M108
No.	DESCRIPTION	Q'TY	Supplier

APPROVED		MSL ENTERPRISES CORP.		Cable Length Unless Other Spec. Tolerances: 0 ~0.2M ±0.01M 0.21~1.0M ±0.02M 1.1 ~1.5M ±0.025M 1.51~2.1M ±0.03M 2.1M ↑ ±0.04M
CHECKED	TIAN			
DRAWING	Rachel	ITEM NO.	0047	