

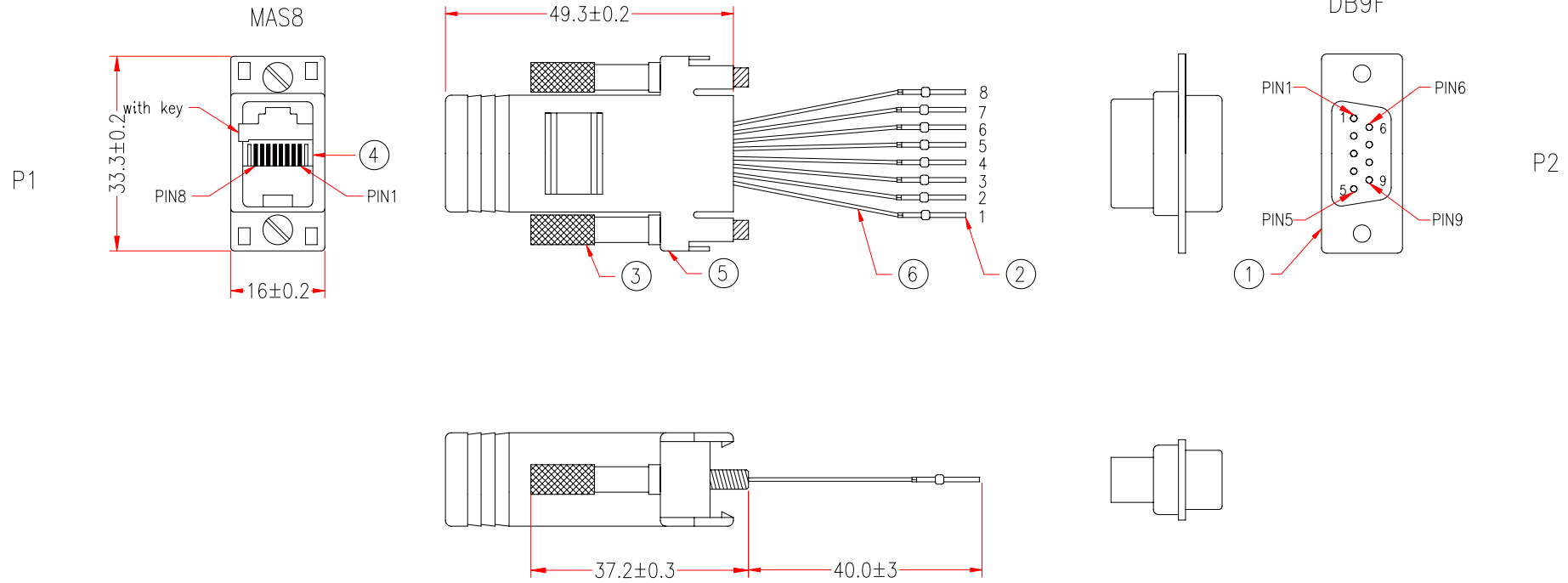
Distributed by:

**JAMECO**<sup>®</sup>  
ELECTRONICS

**www.Jameco.com ♦ 1-800-831-4242**

The content and copyrights of the attached  
material are the property of its owner.

Jameco Part Number 66212



0049	
P1	
1	— BLUE
2	— ORANGE
3	— BLACK
4	— RED
5	— GREEN
6	— YELLOW
7	— BROWN
8	— WHITE

NOTE: All relevant materials are complied with RoHS directive .

6	UL1061 26AWG INSULATOR WIRE, LENGTH 75mm	8	M377
5	8P8C AND DC9 GC PLASTIC HOOD LIGHT GREY	1set	M377
4	8P8C JACK, GOLD FLASH ON CONTACTS, LIGHT GREY PLASTIC	1set	M377
3	SCREW #4-40, LENGTH 37mm, ASSEMBLY TYPE	2	M377
2	D-SUB TYPE, FEMALE TERMINAL	8	M377
1	DC DB9 FEMALE, GOLD FLASH ON CONTACTS, BLACK INSULATOR	1set	M377
No.	DESCRIPTION	Q'TY	Supplier

APPROVED		<b>MSL</b> <b>ENTERPRISES CORP.</b>	Cable Length Unless Other Spec. Tolerances: 0 ~200mm ±10mm 201~1000mm ±20mm 1001 ~1500mm ±25mm 1501~2100mm ±30mm 2100mm↑ ±40mm
CHECKED	TIAN		
DRAWING	SONG		
DATE	30/JUN/05	ITEM NO.	31D1-17400
		UNIT:mm	

CHECKED