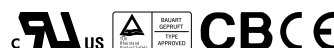


■ Features :

- Universal AC input/Full range
- 12V or 24V high peak output current capability
- **Optional L-Bracket and cover**
- Low leakage current <1mA
- Protections: Short circuit / Overload / Over voltage
- 65W free air convection, 80W with 18CFM forced air
- 100% full load burn-in test
- Fixed switching frequency at 65KHz
- 2 years warranty

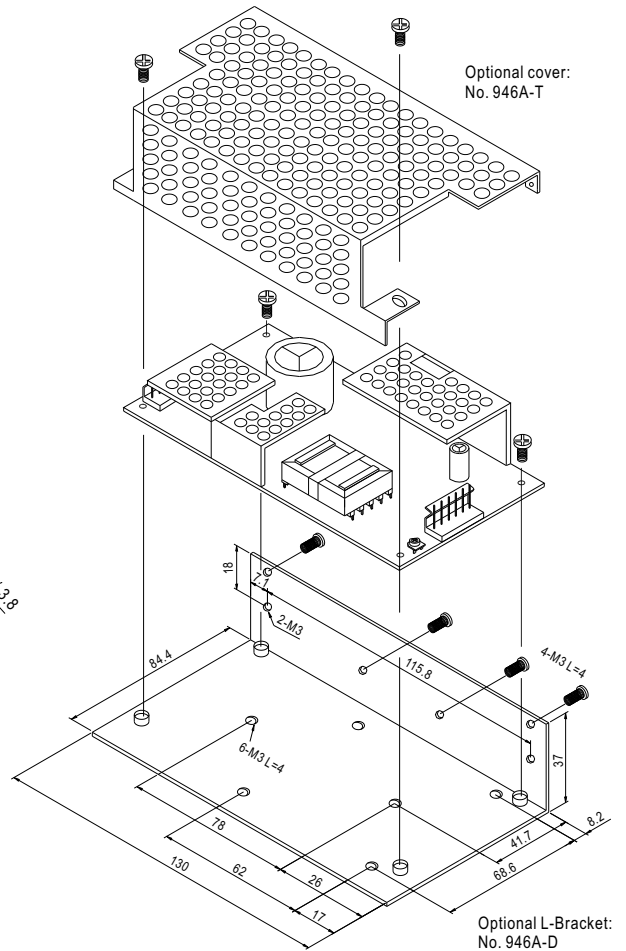
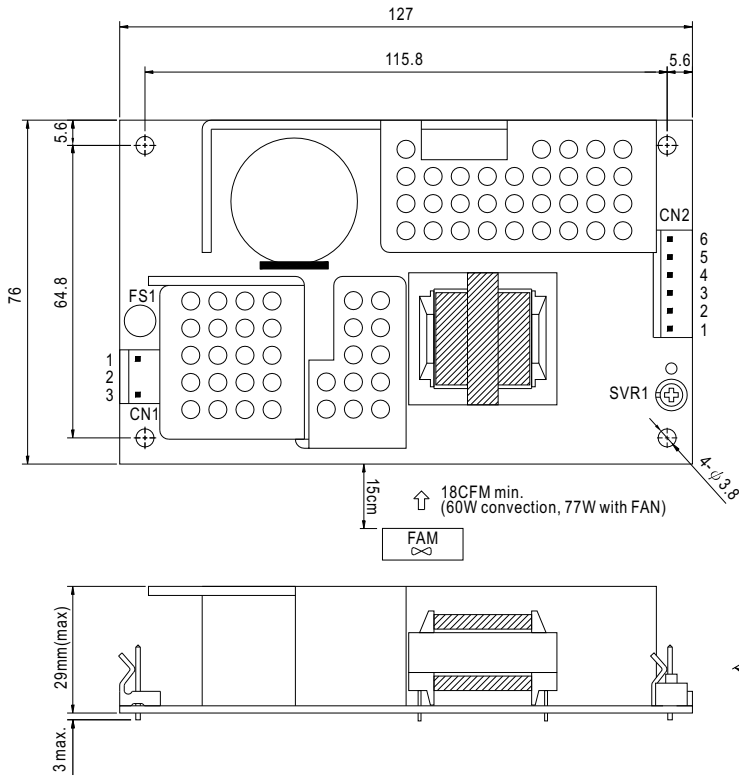


SPECIFICATION

MODEL	RPT-65E			RPT-65F			RPT-65G			
OUTPUT	OUTPUT NUMBER	CH1	CH2	CH3	CH1	CH2	CH3	CH1	CH2	CH3
	DC VOLTAGE	12V	5V	-5V	12V	5V	-12V	24V	5V	12V
	RATED CURRENT	4.5A	1.2A	0.5A	4.5A	1.2A	0.5A	2.25A	1.2A	0.5A
	CURRENT RANGE	0.18 ~ 5.8A	0 ~ 1.5A	0 ~ 0.7A	0.18 ~ 5.8A	0 ~ 1.5A	0 ~ 0.7A	0.09 ~ 2.9A	0 ~ 1.5A	0 ~ 0.7A
	PEAK LOAD <small>Note.4</small>	7.5A	Rated load	Rated load	7.5A	Rated load	Rated load	3.75A	Rated load	Rated load
	RATED POWER	62.5W			66W			66W		
	OUTPUT POWER (max.)	Rated output power for convection; 80W with 18CFM min. forced air								
	RIPPLE & NOISE (max.) <small>Note.2</small>	120mVp-p	100mVp-p	120mVp-p	150mVp-p	100mVp-p	150mVp-p	150mVp-p	50mVp-p	100mVp-p
	VOLTAGE ADJ. RANGE	CH1:11.4 ~ 12.8V			CH1:11.4 ~ 12.8V			CH1:22.8 ~ 26.4V		
	VOLTAGE TOLERANCE <small>Note.3</small>	±2.0%	±5.0%	±5.0%	±2.0%	±5.0%	±5.0%	±2.0%	±5.0%	±5.0%
	LINE REGULATION	±1.0%	±1.0%	±1.0%	±1.0%	±1.0%	±1.0%	±1.0%	±1.0%	±1.0%
	LOAD REGULATION	±2.0%	±5.0%	±5.0%	±2.0%	±5.0%	±5.0%	±2.0%	±5.0%	±5.0%
	SETUP, RISE TIME	800ms, 20ms at full load								
HOLD UP TIME (Typ.)	20ms at full load									
INPUT	VOLTAGE RANGE	90 ~ 264VAC 127 ~ 370VDC								
	FREQUENCY RANGE	47 ~ 440Hz								
	EFFICIENCY (Typ.)	77%			77%			81%		
	AC CURRENT (Typ.)	1.5A/115VAC 0.9A/230VAC								
	INRUSH CURRENT (Typ.)	COLD START 25A/115VAC 50A/230VAC								
	LEAKAGE CURRENT	<1mA								
PROTECTION	OVERLOAD	90 ~ 125W output power Protection type : Hiccup mode, recovers automatically after fault condition is removed.								
	OVER VOLTAGE	CH1:13.8 ~ 16.2V			CH1:13.8 ~ 16.2V			CH1:27.6 ~ 32.4V Protection type : Hiccup mode, recovers automatically after fault condition is removed.		
ENVIRONMENT	WORKING TEMP.	-20 ~ +60°C (Refer to output load derating curve)								
	WORKING HUMIDITY	20 ~ 90% RH non-condensing								
	STORAGE TEMP., HUMIDITY	-40 ~ +85°C, 10 ~ 95% RH								
	TEMP. COEFFICIENT	±0.04%/°C (0 ~ 50°C) on CH1 output								
	VIBRATION	10 ~ 500Hz, 2G 10min./1cycle, period for 60min. each along X, Y, Z axes								
SAFETY & EMC <small>(Note 4)</small>	SAFETY STANDARDS	UL60950-1, TUV EN60950-1 approved								
	WITHSTAND VOLTAGE	I/P-O/P:3KVAC I/P-FG:1.5KVAC O/P-FG:0.5KVAC								
	ISOLATION RESISTANCE	I/P-O/P, I/P-FG, O/P-FG:100M Ohms/500VDC								
	EMI CONDUCTION & RADIATION	Compliance to EN55022 (CISPR22) Class B								
	HARMONIC CURRENT	Compliance to EN61000-3-2,-3								
	EMS IMMUNITY	Compliance to EN61000-4-2,3,4,5,6,8,11; ENV50204, EN55024, light industry level, criteria A								
OTHERS	MTBF	288.1K hrs min. MIL-HDBK-217F (25°C)								
	DIMENSION	PCB:127*76*28mm (L*W*H) with optional CASE:130*84.4*37mm (L*W*H)								
	PACKING	0.24Kg; 63pcs/16Kg/1.35CUFT								
NOTE	<ol style="list-style-type: none"> 1. All parameters NOT specially mentioned are measured at 230VAC input, rated load and 25°C of ambient temperature. 2. Ripple & noise are measured at 20MHz of bandwidth by using a 12" twisted pair-wire terminated with a 0.1uf & 47uf parallel capacitor. 3. Tolerance : includes set up tolerance, line regulation and load regulation. 4. 10% duty cycle maximum within every second. Average output power should not exceed the rated power, output voltage above 90% DC voltage. 5. The power supply is considered a component which will be installed into a final equipment. The final equipment must be re-confirmed that it still meets EMC directives. 									

Mechanical Specification

Case No. 946A Unit:mm



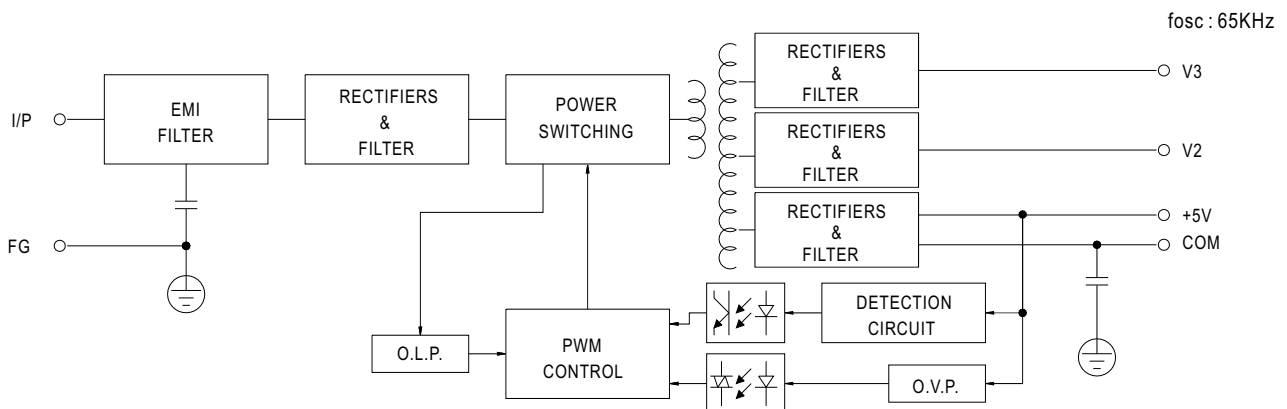
AC Input Connector (CN1) : Molex 5273-03 or equivalent

Pin No.	Assignment	Mating Housing	Terminal
1	AC/L	Molex 5195 or equivalent	Molex 5194 or equivalent
2	No Pin		
3	AC/N		

DC Output Connector (CN2) : Molex 5273-06 or equivalent

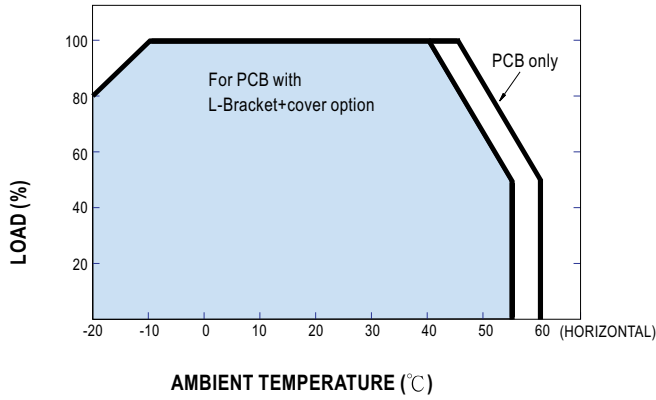
Pin No.	Assignment	Mating Housing	Terminal
1,2	V1	Molex 5195 or equivalent	Molex 5194 or equivalent
3,4	GND		
5	V2		
6	V3		

Block Diagram

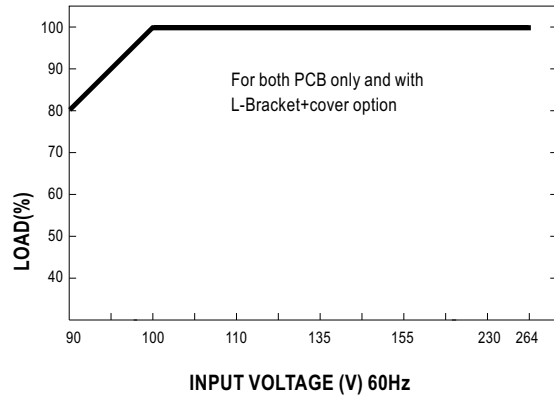




Derating Curve



Output Derating VS Input Voltage



MODEL : RPT-65G

OUTPUT FUNCTION TEST

NO	TEST ITEM	SPECICATION	TEST CONDITION	RESULT	VERDICT
1	RIPPLE & NOISE	V1:150 mVp-p (Max) V2:50 mVp-p (Max) V3:100 mVp-p (Max)	I/P: 230VAC O/P:FULL LOAD Ta:25°C	V1: 34 mVp-p (Max) V2: 23 mVp-p (Max) V3: 38 mVp-p (Max)	P
2	OUTPUT VOLTAGE ADJUST RANGE	CH1:22.8V~ 26.4V	I/P: 230 VAC I/P: 115 VAC O/P:MIN LOAD Ta:25°C	21.58 V~ 27.42 V/ 230 VAC 21.58 V~ 27.42 V/ 115 VAC	P
3	OUTPUT VOLTAGE TOLERANCE	V1: 2 %~ -2 % (Max) V2: 5 %~ -5 % (Max) V3: 5 %~ -5 % (Max)	I/P: VAC / 264 VAC O/P:FULL/ MIN LOAD Ta:25°C	V1: 1.6 %~ -1.6 % V2: 0.4 %~ -0.4 % V3: 0.18 %~ -0.18 %	P
4	LINE REGULATION	V1: 1 %~ -1 % (Max) V2: 1 %~ -1 % (Max) V3: 1 %~ -1 % (Max)	I/P: VAC ~ 264 VAC O/P:FULL LOAD Ta:25°C	V1: 0.07 %~ -0.07 % V2: 0 %~ 0 % V3: 0 %~ 0 %	P
5	LOAD REGULATION	V1: 2 %~ -2 % (Max) V2: 5 %~ -5 % (Max) V3: 5 %~ -5 % (Max)	I/P: 230 VAC O/P:FULL ~MIN LOAD Ta:25°C	V1: 1.6 %~ -1.6 % V2: 0.4 %~ -0.4 % V3: 0.1 %~ -0.1 %	P
6	CROSS REGULATION	V1: 2 %~ -2 % (Max) V2: 5 %~ -5 % (Max) V3: 5 %~ -5 % (Max)	I/P: 230 VAC O/P: Testing O/P 60%LOAD Other O/P 40%LOAD Change Ta:25°C	V1: 0.05 %~ -0.05 % V2: 0.12 %~ -0.12 % V3: 0.05 %~ -0.05 %	P
7	SET UP TIME	230VAC: 800 ms (Max)	I/P: 230 VAC O/P:FULL LOAD Ta:25°C	230VAC/ 102 ms	P
8	RISE TIME	230VAC: 20 ms (Max)	I/P: 230 VAC O/P:FULL LOAD Ta:25°C	230VAC/ 12 ms	P
9	HOLD UP TIME	230VAC: 20 ms (TYP)	I/P: 230 VAC O/P:FULL LOAD Ta:25°C	230VAC/ 84 ms	P
10	OVER/UNDERSHOOT TEST	< ±5%	I/P: 230 VAC O/P:FULL LOAD Ta:25°C	TEST: <5 %	P
11	DYNAMIC LOAD	V1: 2400 mVp-p	I/P: 230 VAC O/P:FULL /Min LOAD 90%DUTY/1KHZ Ta:25°C	147 mVp-p	P

INPUT FUNCTION TEST

NO	TEST ITEM	SPECICATION	TEST CONDITION	RESULT	VERDICT
1	INPUT VOLTAGE RANGE	90VAC~264 VAC	I/P:TESTING O/P:FULL LOAD Ta:25°C	55V~264V	P
			I/P: LOW-LINE-3V= 87 V HIGH-LINE+15%=300 V O/P:FULL/MIN LOAD ON: 30 Sec . OFF: 30 Sec 10MIN (AC POWER ON/OFF NO DAMAGE)	TEST:OK	
2	INPUT FREQUENCY RANGE	47HZ ~440 HZ NO DAMAGE OSC	I/P: VAC ~ 264 VAC O/P:FULL~MIN LOAD Ta:25°C	TEST: OK	P
3	EFFICIENCY	81 % (TYP)	I/P: 230 VAC O/P:FULL LOAD Ta:25°C	81.7 %	P
4	INPUT CURRENT	230V/ 0.9 A (TYP) 115V/ 1.5 A (TYP)	I/P: 230 VAC I/P: 115 VAC O/P:FULL LOAD Ta:25°C	I = 0.76 A/ 230 VAC I = 1.21 A/ 115 VAC	P
5	INRUSH CURRENT	230V/ 50 A (TYP) 115V/ 25 A (TYP) COLD START	I/P: 230 VAC I/P: 115 VAC O/P:FULL LOAD Ta:25°C	I = 37 A/ 230 VAC I = 18 A/ 115 VAC	P
6	LEAKAGE CURRENT	< 1 mA / 240 VAC	I/P: 254 VAC O/P:Min LOAD Ta:25°C	L-FG: 0.5 mA N-FG: 0.5 mA	P

PROTECTION FUNCTION TEST

NO	TEST ITEM	SPECICATION	TEST CONDITION	RESULT	VERDICT
1	OVER LOAD PROTECTION	90W~ 125W	I/P: 230 VAC I/P: 115 VAC O/P:TESTING Ta:25°C	105 W/ 230 VAC 102 W/ 115 VAC Hiccup Mode	P
2	OVER VOLTAGE PROTECTION	CH1: 27.6 V~ 32.4 V	I/P: 230 VAC I/P: 115 VAC O/P:MIN LOAD Ta:25°C	30.7 V/ 230 VAC 30.7 V/ 115 VAC Hiccup Model	P
3	SHORT PROTECTION	SHORT EVERY OUTPUT 1 HOUR NO DAMAGE	I/P: 264 VAC O/P:FULL LOAD Ta:25°C	NO DAMAGE Hiccup Mode	P

SAFETY TEST

NO	TEST ITEM	SPECICATION	TEST CONDITION	RESULT	VERDICT
1	WITHSTAND VOLTAGE	I/P-O/P: 3 KVAC/min I/P-FG: 1.5 KVAC/min O/P-FG: 0.5 KVAC/min	I/P-O/P: 3.6 KVAC/min I/P-FG: 1.8 KVAC/min O/P-FG: 0.6 KVAC/min Ta:25°C	I/P-O/P: 4.85 mA I/P-FG: 4.18 mA O/P-FG: 3.29 mA NO DAMAGE	P
2	ISOLATION RESISTANCE	I/P-O/P:500VDC>100MΩ I/P-FG: 500VDC>100MΩ O/P-FG:500VDC>100MΩ	I/P-O/P: 500 VDC I/P-FG: 500 VDC O/P-FG: 500 VDC Ta:25°C	I/P-O/P: 1 GΩ I/P-FG: 880 MΩ O/P-FG: 1 GΩ NO DAMAGE	P
3	GROUNDING CONTINUITY	FG(PE) TO CHASSIS OR TRACE < 100 mΩ	40 A / 2min Ta:25°C	5 mΩ	P
4	APPROVAL	TUV: Certificate NO : R50072114 UL: File NO : E183223			P

E.M.C TEST

NO	TEST ITEM	SPECICATION	TEST CONDITION	RESULT	VERDICT
1	HARMONIC	EN61000-3-2 CLASS A	I/P: 230 VAC/50HZ O/P:FULL LOAD Ta:25°C	PASS	P
2	CONDUCTION	EN55022 CLASS B	I/P: 230 VAC (50HZ) O/P:FULL/50% LOAD Ta:25°C	PASS Test by certified Lab	P
3	RADIATION	EN55022 CLASS B	I/P: 230 VAC (50HZ) O/P:FULL LOAD Ta:25°C	PASS Test by certified Lab	P
4	E.S.D	EN61000-4-2 LIGHT INDUSTRY AIR:8KV / Contact:4KV	I/P: 230 VAC/50HZ O/P:FULL LOAD Ta:25°C	CRITERIA A	P
5	E.F.T	EN61000-4-4 LIGHT INDUSTRY INPUT: 1KV	I/P: 230 VAC/50HZ O/P:FULL LOAD Ta:25°C	CRITERIA A	P
6	SURGE	IEC61000-4-5 LIGHT INDUSTRY L-N :1KV L,N-PE:2KV	I/P: 230 VAC/50HZ O/P:FULL LOAD Ta:25°C	CRITERIA A	P
7	Test by certified Lab & Test Report Prepare				

M.T.B.F & LIFE CYCLE CALCULATION

NO	TEST ITEM	SPECICATION	TEST CONDITION	RESULT	VERDICT
1	CAPACITOR LIFE CYCLE	SUPPOSE C 106 IS THE MOST CRITICAL COMPONENT I/P: 230VAC O/P:FULL LOAD Ta= 25 °C LIFE TIME= 164241 HRS I/P: 230VAC O/P:FULL LOAD Ta= 45 °C LIFE TIME= 38808 HRS			P
2	MTBF	MIL-HDBK-217F NOTICES2 PARTS COUNT TOTAL FAILURE RATE: 288.1K HRS			P

COMPONENT STRESS TEST

NO	TEST ITEM	SPECICATION	TEST CONDITION	RESULT	VERDICT
1	Power Transistor (D to S) or (C to E) Peak Voltage	Q1 Rated 2SK3673 : 700V 10A	I/P:High-Line +3V = 267 V O/P: (1)Full Load Turn on (2) Full Load (3)Output Short Ta:25°C	(1) 504 V (2) 468 V (3) 648 V	P
2	Diode Peak Voltage	D100 Rated D9202 : 200V 20 A D200 Rated YG805C10 : 100V 20 A D300 Rated 21DQ10 : 100V 2 A	I/P:High-Line +3V = 267 V O/P: (1)Full Load Turn on (2) Full Load (3)Output Short Ta:25°C	(1) 186 V (2) 176 V (3) 186 V (1) 62.4 V (2) 64.4 V (3) 41.6 V (1) 76 V (2) 89.2 V (3) 92.8 V	P
3	Clamp Diode Peak Voltage	D1 Rated HER306 : 600V 3A	I/P:High-Line +3V = 267 V O/P: (1)Full Load (2) Dynamic Load 90%Duty/1KHz Ta:25°C	(1) 532 V (2) 540 V	P
4	Input Capacitor Voltage	C5 Rated : 150u/ 400V/ 85°C	I/P:High-Line +3V = 267 V O/P: (1)Full Load Turn on /Off (2) Min load Turn on /Off (3)Full Load /Min load Change (4)Burn in 1hour Ta:25°C	(1) 388 V (2) 386 V (3) 394 V (4) 378 V	P
5	Control IC Voltage Test	U1 Rated 1203 : 16V	I/P:High-Line +3V = 267 V O/P: (1)Full Load Turn on /Off (2) Min load Turn on /Off (3)Full Load /Min load Change Ta:25°C	(1) 14.8 V (2) 13 V (3) 13 V	P

DATE	SAMPLE	TEST RESULT	TESTER	APPROVAL
2005/9/19	RD SAMPLE	PASS	VINCENT TSENG	MAX LIN
2005/11/18	PRODUCT SAMPLE W0510A21	PASS	VINCENT TSENG	MAX LIN
2006/03/29	PRODUCT SAMPLE W0603B31	PASS	VINCENT TSENG	MAX LIN

2003/12/12 A50-F023