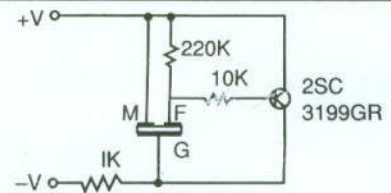


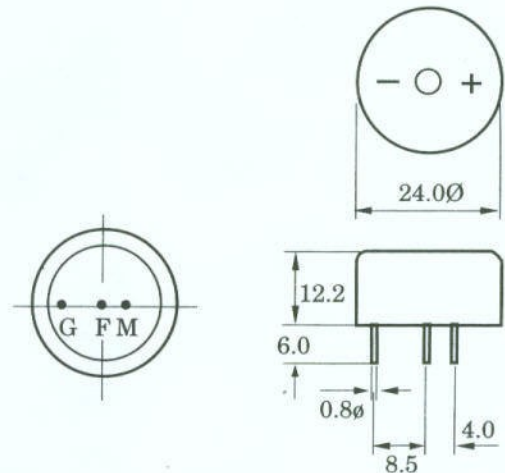
FEATURES:

- ▲ P.C. BOARD MOUNTING
- ▲ SMALL SIZE AND LIGHTWEIGHT
- ▲ RICH SOUND OUTPUT AND LOW CURRENT DRAIN
- ▲ THE RECOMMENDED SELF-DRIVEN CIRCUIT UTILIZES TRANSISTOR SWITCHING

The current consumption and the sound pressure level are measured by using the recommend driving circuit shown in the right. (one example)



Model No	SEP-1123
Resonant Frequency (± 500 Hz)	3,200
Operating Voltage (VDC)	3~28
Sound Pressure Level at 30cm/12VDC (dB min)	74
Current Consumption at 12VDC (mA max)	7
Operating Temperature (°C)	-20° ~ 60°
Storage Temperature (°C)	-30° ~ 70°
Weight (Gram)	2.7



Model No	SEP-1172
Resonant Frequency (± 500 Hz)	3,300
Operating Voltage (VDC)	3~28
Sound Pressure Level at 30cm/12VDC (dB min)	81
Current Consumption at 12VDC (mA max)	7
Operating Temperature (°C)	-20° ~ 60°
Storage Temperature (°C)	-30° ~ 70°
Weight (Gram)	6.7

