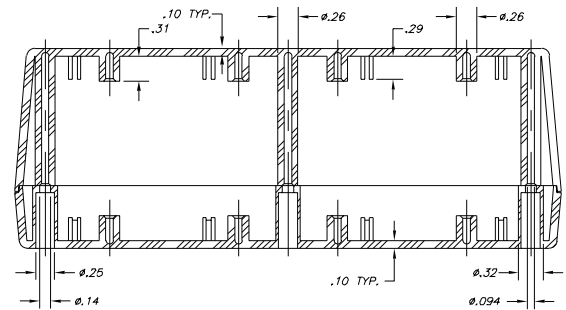
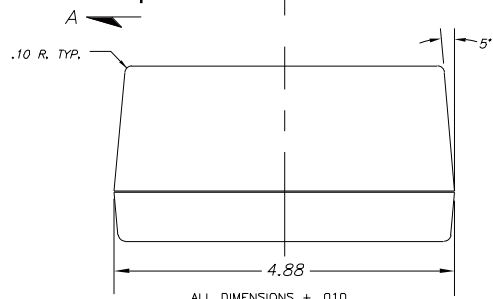
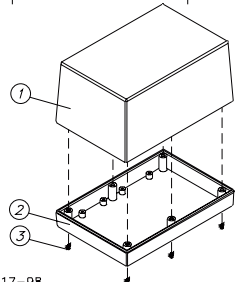
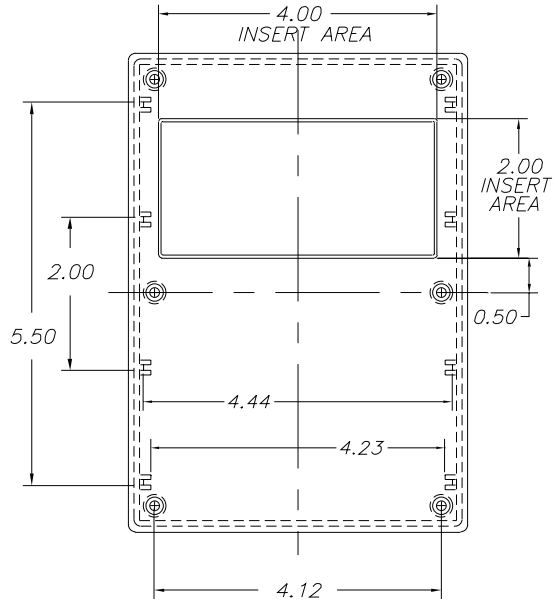
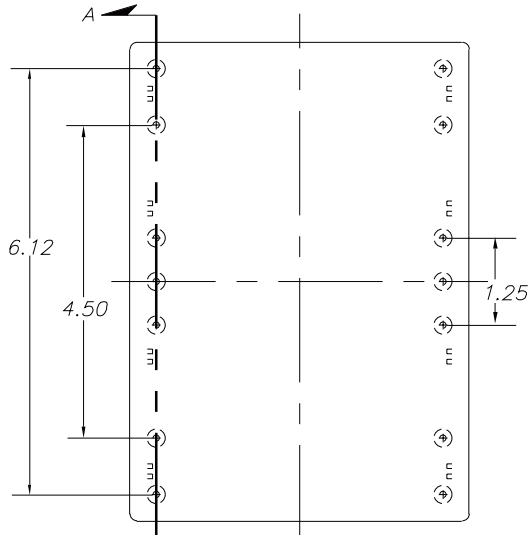
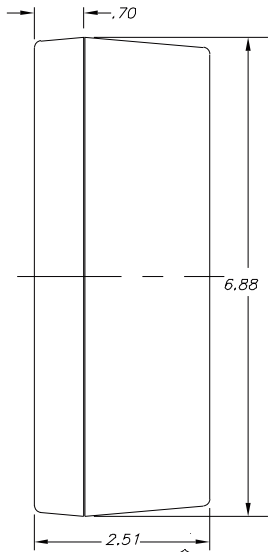


NOTES:
1. WHEN MACHINE OR I PLATES MODIFICATIONS ARE REQUIRED, USE THE CENTER OF THE BOX TO DIMENSION.



SECTION A-A

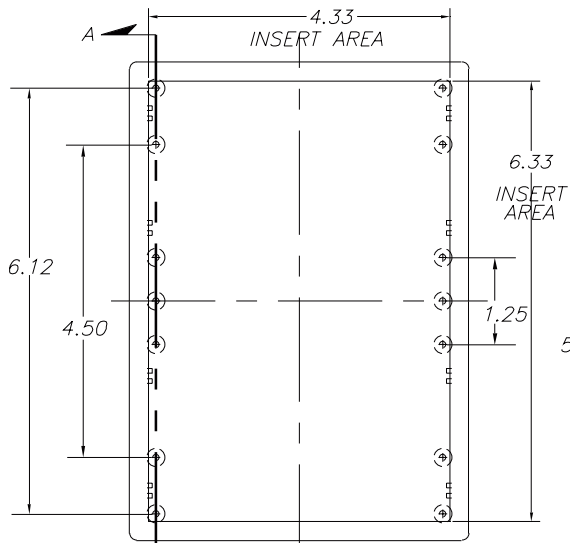
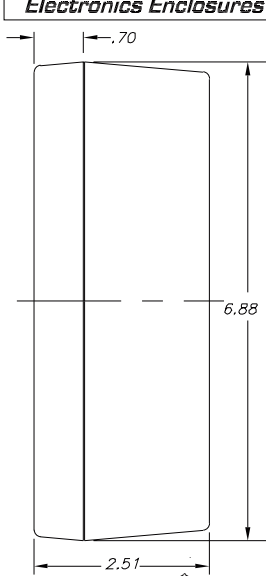
8-17-98. ALL DIMENSIONS ± .010

ITEM	PART NO.	DESCRIPTION	PART NO.	ACCESSORIES DESCRIPTION
1	73	PLASTIC TOP	50	FEET
2	17	PLASTIC BOTTOM	370	PROTOTYPE GRID BOARD (HORIZ.)
3	6005	SCREWS (6)	470	PROTOTYPE CLAD BOARD (HORIZ.)
			373	PROTOTYPE GRID BOARD (VERT.)
			473	PROTOTYPE CLAD BOARD (VERT.)

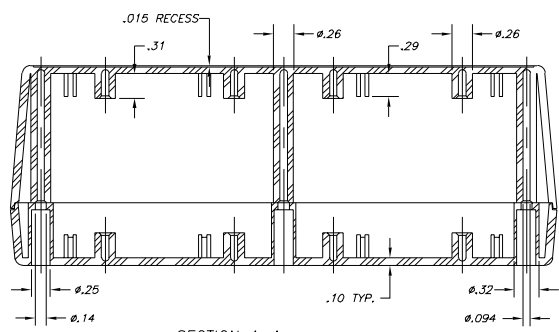
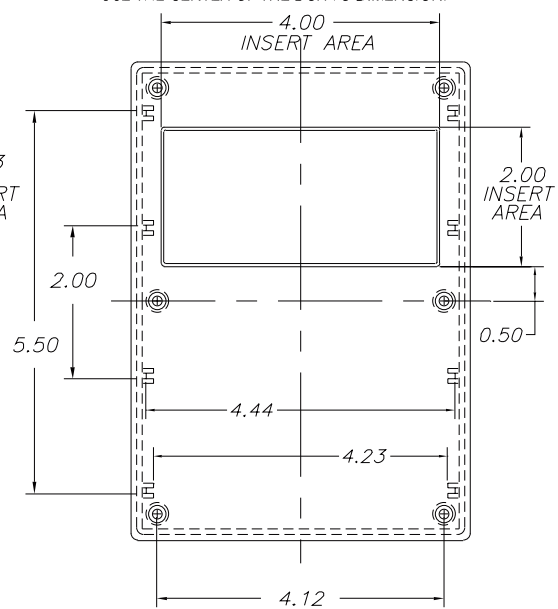
SERPAC

Electronics Enclosures

173-1



NOTES:
1. WHEN MACHINE OR I PLATES MODIFICATIONS ARE REQUIRED, USE THE CENTER OF THE BOX TO DIMENSION.



SECTION A-A

8-17-98.

ALL DIMENSIONS ± .010

ITEM	PART NO.	DESCRIPTION	PART NO.	ACCESSORIES DESCRIPTION
1	731	PLASTIC TOP	50	FEET
2	17	PLASTIC BOTTOM	370	PROTOTYPE GRID BOARD (HORIZ.)
3	6005	SCREWS (6)	470	PROTOTYPE CLAD BOARD (HORIZ.)
			373	PROTOTYPE GRID BOARD (VERT.)
			473	PROTOTYPE CLAD BOARD (VERT.)