

4

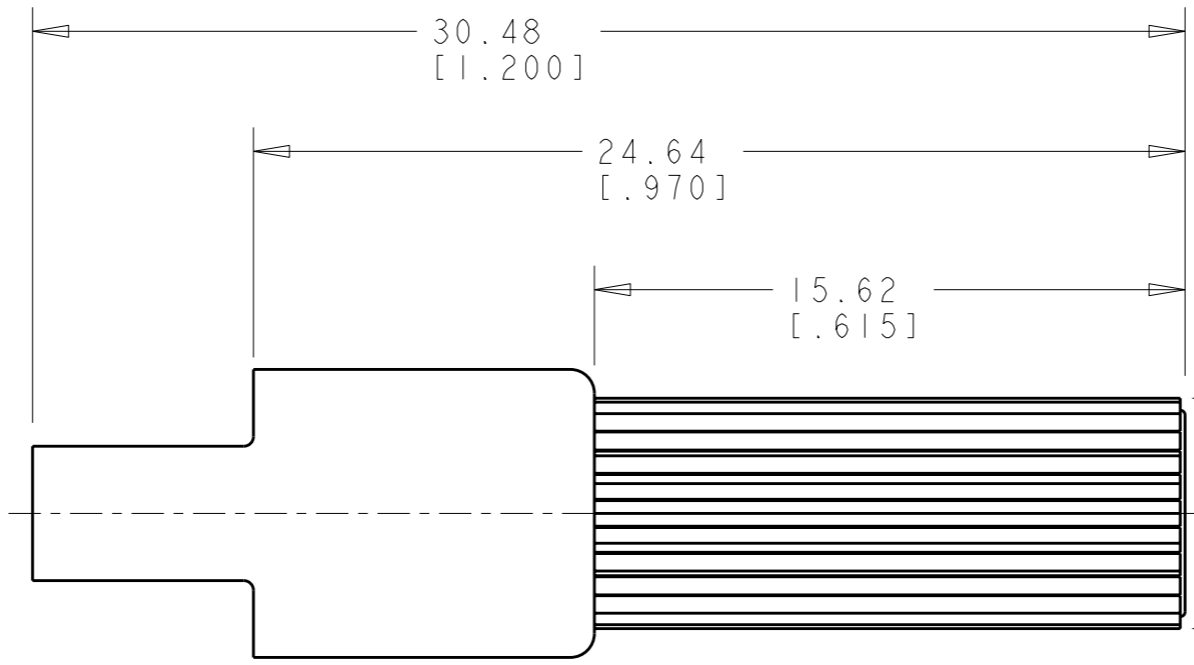
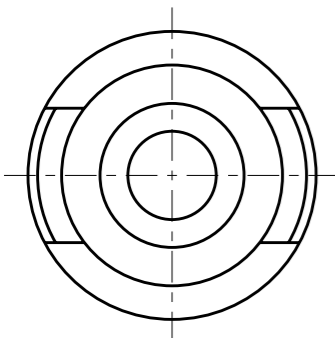
3

2

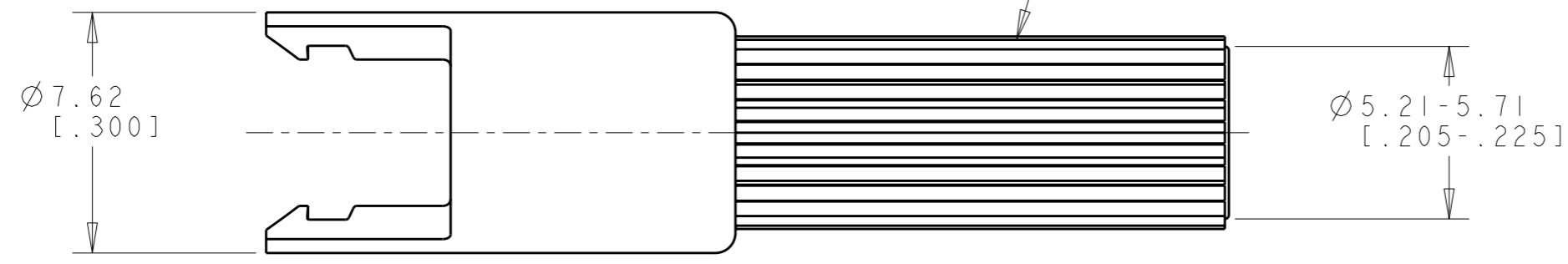
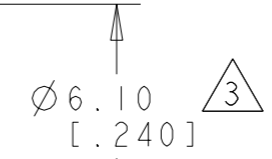
1

THIS DRAWING IS UNPUBLISHED. RELEASED FOR PUBLICATION 20
 © COPYRIGHT 20 BY - ALL RIGHTS RESERVED.

LOC	DIST	REVISIONS			
P	LTR	DESCRIPTION	DATE	DWN	APVD
CM	00	MI	REVISED PER ECO-11-005027	17MAR2011	RK HMR


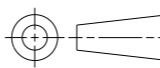


1. TO BE USED WITH MATE-N-LOK™ PINS
 2. MATES WITH PLUG 480349.
- △ 3 RIBS ARE OPTIONAL CONSTRUCTION AND MAY NOT APPEAR ON PART.



RED	1-480350-2
NATURAL	1-480350-0
COLOR	PART NUMBER

METRIC

THIS DRAWING IS A CONTROLLED DOCUMENT.		DWN 22-MAR-2002 K. WHITAKER		 TE Connectivity	
DIMENSIONS: mm [INCHES]		CHK 22-MAR-2002 D. COLEY			
		TOLERANCES UNLESS OTHERWISE SPECIFIED:		NAME CAP, SINGLE CIRCUIT, COMMERCIAL MATE-N-LOK(TM)	
		0 PLC ±- 1 PLC ±- 2 PLC ±0.13 [.005] 3 PLC ±- 4 PLC ±- ANGLES ±-		APVD 22-MAR-2002 D. COLEY	
MATERIAL NYLON, 94V-2		FINISH -		PRODUCT SPEC -	
				APPLICATION SPEC -	
				WEIGHT -	
				SIZE A3	
				CAGE CODE 00779	
				DRAWING NO C-480350	
				RESTRICTED TO -	
		CUSTOMER DRAWING		SCALE 5:1	
				SHEET 1 OF 1	
				REV MI	