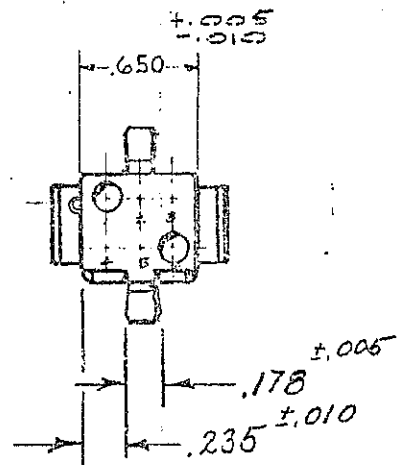
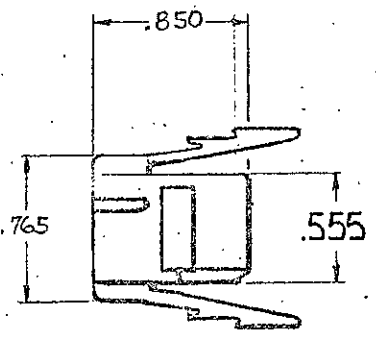
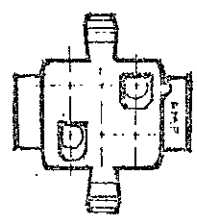


DRAWING NUMBER  
**480273**



HOUSING N°	COLOR
1-480273-0	NATURAL

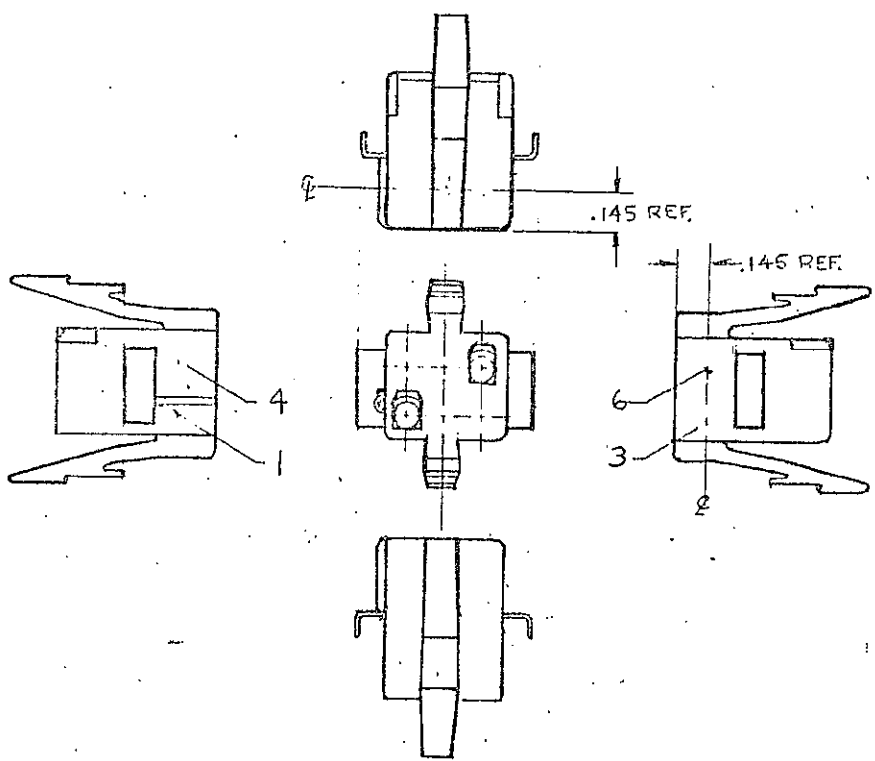
**- NOTE -**  
 1- TO BE USED WITH MATE-N-LOK SOCKETS.  
 2- TO BE USED WITH CAP HOUSING 480276.  
 3- SEE SHEET III FOR MOUNTING INFORMATION.

DIMENSIONS IN INCHES. DO NOT SCALE PRINT.

REV PER EC 0618-006-91 KW 6-4-99				©1969 BY AMP INCORPORATED. ALL RIGHTS RESERVED. AMP PRODUCTS COVERED BY PATENTS AND/OR PATENTS PENDING.				CUSTOMER COPY REFERENCE ONLY			
REV PER EC 0730-0155-95 JH RS 1-1996				MATERIAL				AMP INCORPORATED HARRISBURG, PENNA.			
REV PER EC 0730-0164-94 RV RS 8/29/94				NYLON				CLASS .086 Socket Housing.			
OBS 1-6 PER CM 2708 TB RS 1/11/93				WIRE RANGE INSULATION TYPE				PANEL MOUNT			
REVISED PER CM-2594 PKC RS 5-10-92				TOLERANCE EXCEPT AS NOTED ±.010 ±.010 1:1				CM A 480273			
OBS. 1-2 PER CM-890 PH RS 11-24-87				NAME				6 CIRCUIT MATE-N-LOK PLUG			
LTR REVISION RECORD DR CNK DATE				C.R. STOVER 11-10-61				RW Williams			
CHK 10/20/94				APP 9/27/96				11/1/96			

150

SHEET 1 OF 3  
NUMBER  
480273



- Note-
1. Characters .160 high.
  2. Characters to be read correctly from wire end only.
  3. Violet, black, brown and blue colored blocks stamped with white characters, all other colored blocks stamped with black characters.
  4. Custom identification available.
  5. For dimensions refer to Sheet 1.

Part No.	Color
2-480273-0	Natural

DIMENSIONS IN INCHES. DO NOT SCALE PRINT.

©1964 BY AMP INCORPORATED, ALL RIGHTS RESERVED. AMP PRODUCTS COVERED BY PATENTS AND/OR PATENTS PENDING.

CUSTOMER COPY REFERENCE ONLY

MATERIAL AND FINISH

*C*

AMP INCORPORATED  
HARRISBURG, PENNA.

CLASS *CS*

WIRE — RANGE — INSULATION TYPE *CS CS CS*

TOLERANCE EXCEPT AS NOTED ± .015 ± .01 1:1

LOT NO. SHEET 3 OF 3

NAME **6 CIRCUIT MATE-N-LOK (PANEL MOUNT) PLUG HOUSING (SOCKET)**

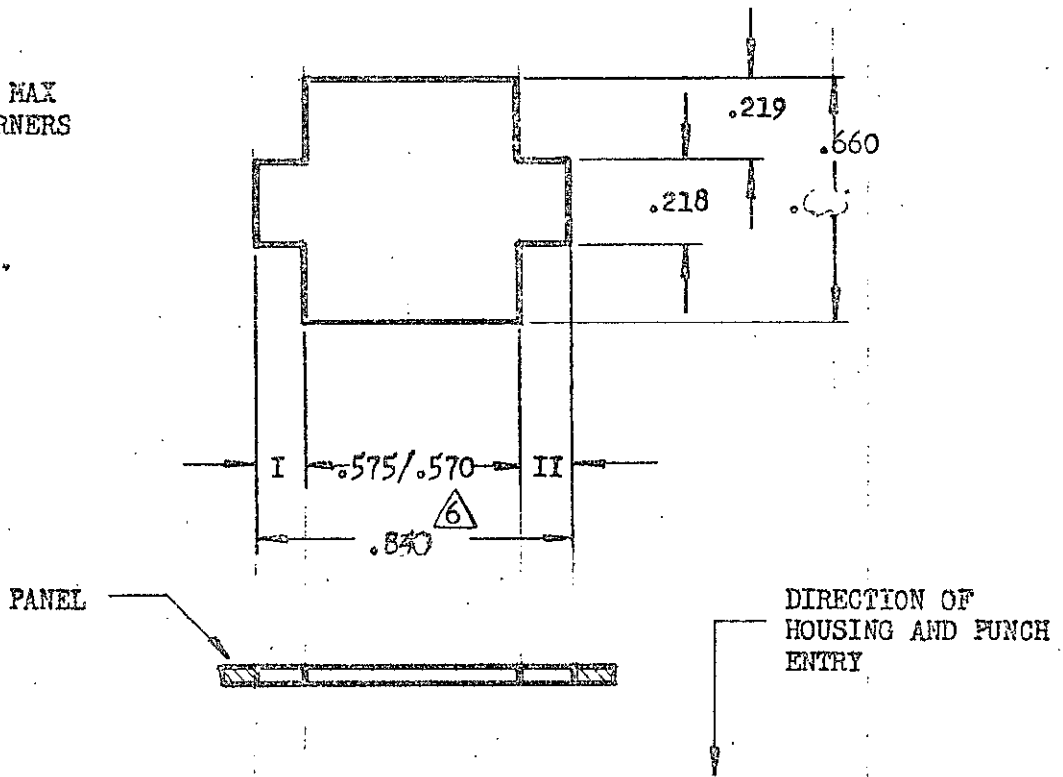
CM A 480273 AJ

LTR	REVISION RECORD	DR	CHK	DATE

CHK	DE	APP
<i>53</i>	<i>Q. Stoyer</i>	<i>W. P. ...</i>
	<i>12/2/64</i>	<i>4/5/65</i>
	<i>S. A. ...</i>	<i>J. N. ...</i>
	<i>4/5/65</i>	<i>11/5/67</i>

SHEET 3 OF 3  
NUMBER 480273

.015 R MAX  
ALL CORNERS



- NOTE: 1. Recommended panel thickness .025 - .025.
2. Both locking legs to be squeezed together and housing to be inserted straight-in, as opposed to a rocking manner of insertion.
3. The panel must be punched so that the housing enters the panel in the same direction as the punch.
4. Dimensions I and II to be equal within .005.
5. Panel must not have any material (paint, porcelain, etc.) applied in the mounting hole area that would decrease retention of the housing in the panel.
6. If Notes 3 and/or 5 are not complied with, the .840 dimension should be reduced to .820 to assure proper housing retention in the panel.

DIMENSIONS IN INCHES. DO NOT SCALE PRINT.

©1972 BY AMP INCORPORATED, ALL RIGHTS RESERVED. AMP PRODUCTS COVERED BY PATENTS AND/OR PATENTS PENDING MATERIAL AND FINISH

CUSTOMER COPY  
REFERENCE ONLY



AMP INCORPORATED  
HARRISBURG, PENNA.

CLASS \_\_\_\_\_

WIRE — RANGE — INSULATION

TYPE \_\_\_\_\_

TOLERANCE EXCEPT AS NOTED  
± .003 ± 1° 0'

SCALE

LOC

QU

CM A 480273 1A

NAME

RECOMMENDED MOUNTING INFORMATION

6 CIRCUIT MATE-N-LOK PANEL MOUNT PLUG

53	CHK Thumble 7-26-72	APP Thumble 7-26-72	DR DAYTON HOLMES 7-20-72	DE	REVISED PER M-3559	pkp	REP 1-6-76	DATE 1-6-76
LTK		REVISION RECORD		ECN	DR	CHK	DATE	