

Distributed by:

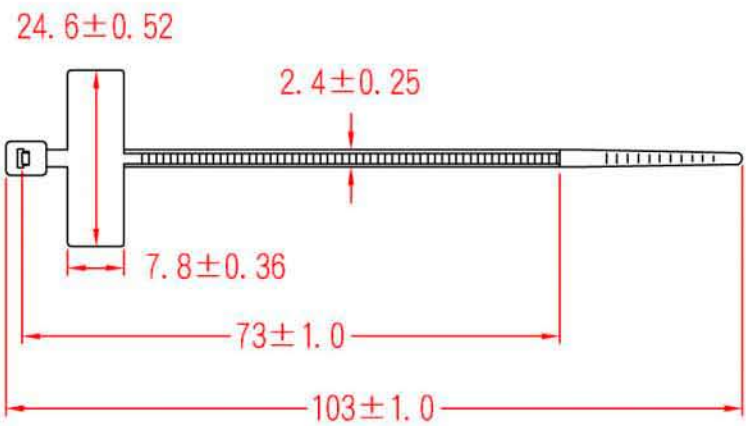
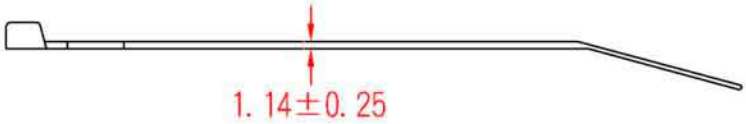
JAMECO[®]
ELECTRONICS

www.Jameco.com ♦ 1-800-831-4242

The content and copyrights of the attached
material are the property of its owner.

Jameco Part Number 71062

Date	Rev.	Description



DCC. NO.
A4 DRAWING NO.

MATERIAL		GOLDSUN ELECTRONICS CO., LTD.	
		PART NAME	Rev.
		MARKER	1
DRWN	DATE	JAMECO NO.	GOLDTOOL NO.
CHK	DATE	PN 71062	MCV-100
APVD	DATE	UNIT:	CAS No:
		mm	ERN No:
		SCALE:	SHEET 1 OF 1