

5

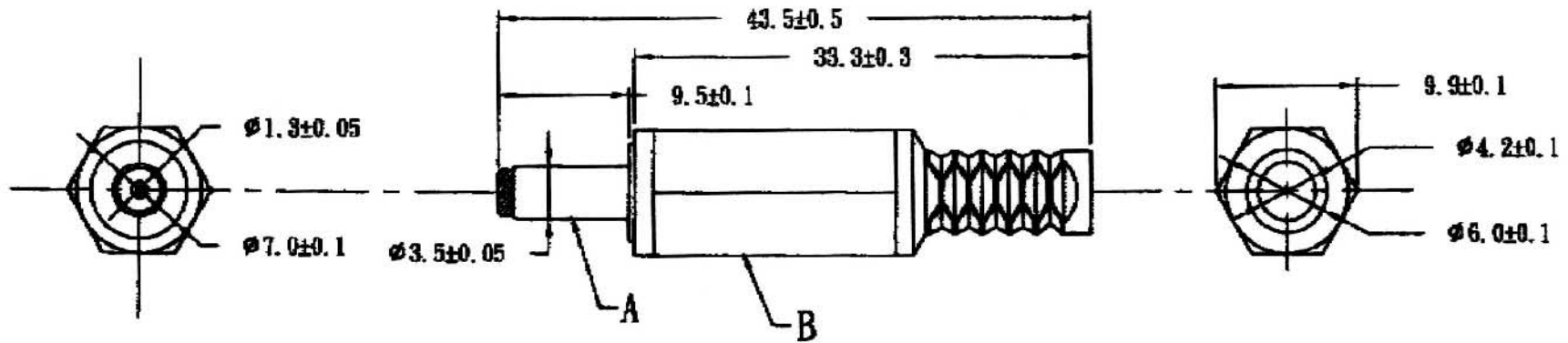
4

3

2

1

Date	Rev.	Description



DCC. NO.
A4 DRAWING NO.

MATERIAL		GOLDSUN ELECTRONICS CO., LTD.	
A - DC PLUG: Brass / plated with nickel		JAMECO NO. 71192	GOLDSUN NO.
B - SHELL: POE / black color		DESCRIPTION 3.5DC PLUG+HEX NUT	
DRAWN: Simon Yeh		UNIT: mm	SCALE: 2:1
VERIFY PEOPLE: Wendy Chen		SHEET 1 OF 1	CAS No: ERN No:
			Rev. 1

C

B

A