

Distributed by:

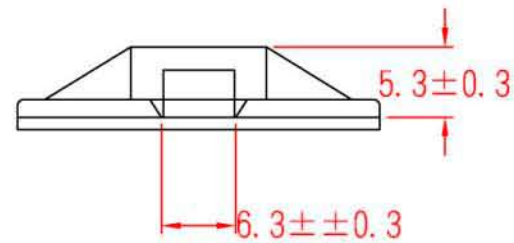
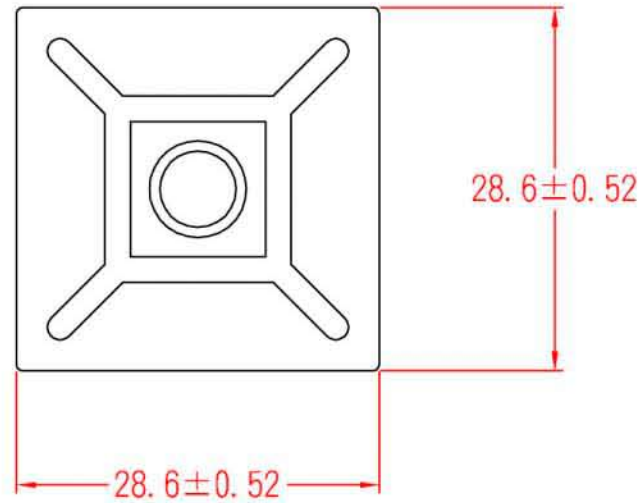
**JAMECO**<sup>®</sup>  
ELECTRONICS

**www.Jameco.com ♦ 1-800-831-4242**

The content and copyrights of the attached  
material are the property of its owner.

Jameco Part Number 71395

Date	Rev.	Description



DCC. NO.
A4 DRAWING NO.

MATERIAL		<b>GOLDSUN ELECTRONICS CO., LTD.</b>	
		PART NAME SELF ADHESIVE TIE MOUNT	Rev. 1
DRWN	DATE	JAMECO NO. PN 71395	GOLDTOOL NO. HC-102
CHK	DATE	UNIT: mm	SCALE: SHEET 1 OF 1
APVD	DATE	CAS No: ERN No:	