

Distributed by:

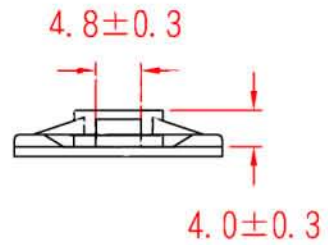
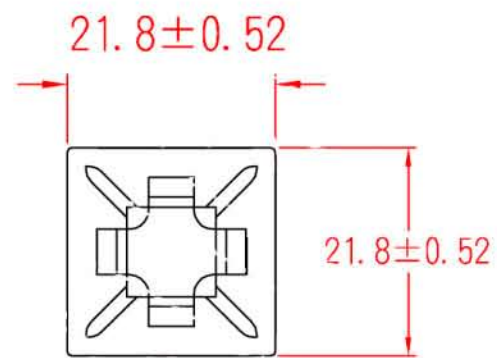
JAMECO[®]
ELECTRONICS

www.Jameco.com ♦ 1-800-831-4242

The content and copyrights of the attached
material are the property of its owner.

Jameco Part Number 71408

Date	Rev.	Description



DCC. NO.
A4 DRAWING NO.

MATERIAL		GOLDSUN ELECTRONICS CO., LTD.	
		PART NAME SELF ADHESIVE TIE MOUNT	Rev. 1
DRWN	DATE	JAMECO NO. PN 71408	GOLDTOOL NO. HC-101
CHK	DATE	UNIT: mm	SCALE: SHEET 1 OF 1
APVD	DATE	CAS No: ERN No:	