

Distributed by:



www.Jameco.com ♦ 1-800-831-4242

The content and copyrights of the attached material are the property of its owner.

1010 Series

Top Willing Co., Ltd.

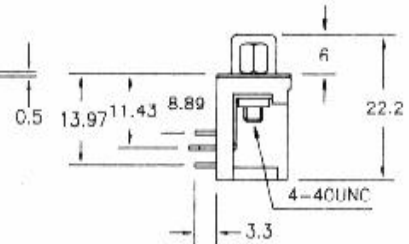
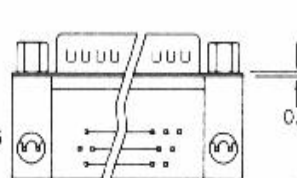
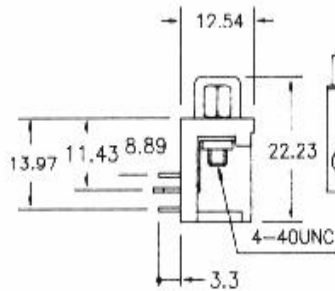
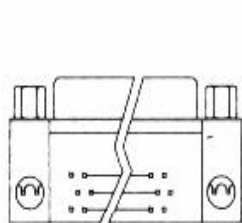
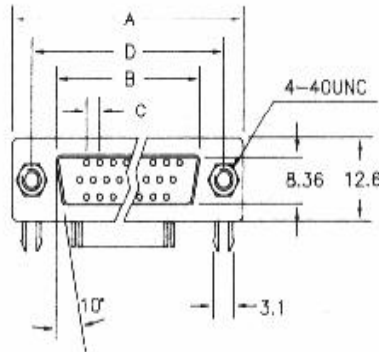
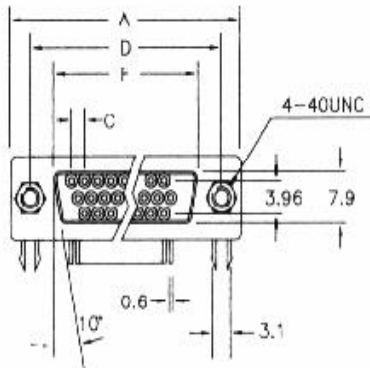
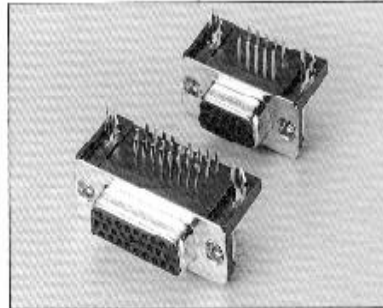
D-SUB H.D. RIGHT ANGLE TYPE

Specifications:

Contact Resistance: 30mΩmax. at DC 100mA
 Insulator Resistance: 1000MΩmin. at DC 500V
 Current Rating: 3 AMP

Dielectric Withstanding

Voltage: AC 1000V For 1 minute
 Operating Temperature: -55°C~+105°C
 Contact: Brass or Phosphor Bronze
 Housing: PBT & 30% Glass Fiber (UL 94V-0)



Dimension

| Position | Dimension | | | | |
|----------|-----------|------|------|-------|------|
| | A | B | C | D | E |
| 15 | 16.3 | 0.25 | 2.29 | 24.99 | 30.6 |
| 26 | 24.7 | 0.51 | 2.29 | 33.32 | 39.1 |
| 44 | 38.4 | 0.51 | 2.29 | 47.04 | 53.0 |
| 62 | 54.8 | 0.58 | 2.41 | 63.50 | 69.3 |