

Distributed by:

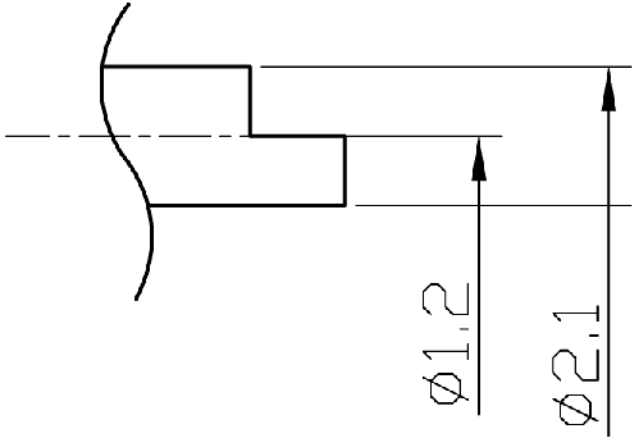
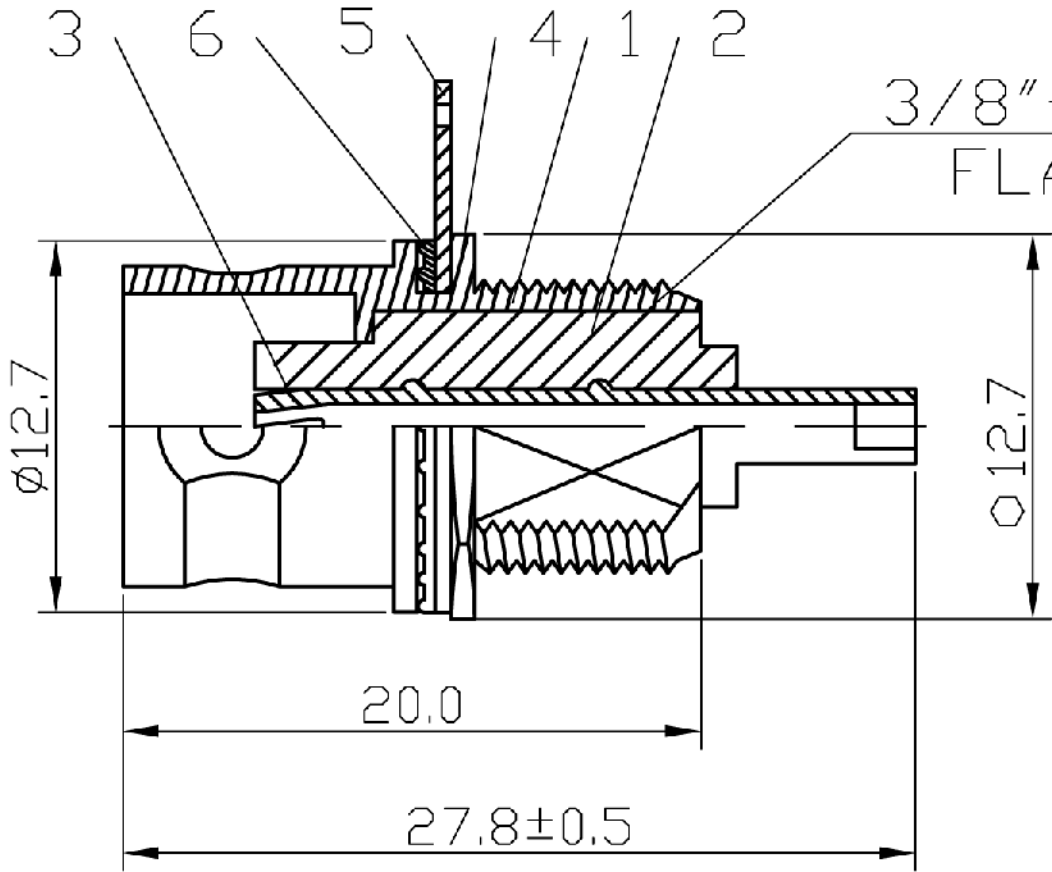
JAMECO[®]
ELECTRONICS

www.Jameco.com ♦ 1-800-831-4242

The content and copyrights of the attached
material are the property of its owner.

Jameco Part Number 71590

Date	Rev.	Description



PIN LATERAL VIEW

NO	Description	Q'ty	Material	Finish
6	WASHER	1	STEEL	NICKEL
5	GROUND TAG	1	STEEL	NICKEL
4	NUT	1	STEEL	NICKEL
3	PIN	1	BRASS	GOLD
2	INSULATOR	1	DELTRIN	WHITE
1	BODY	1	STELL	NICKEL

DCC. NO.
A4 DRAWING NO.

MATERIAL		GOLDSUN ELECTRONICS CO., LTD.	
DRAWN: Kiki Chen		JAMECO NO. 71590	GOLDSUN NO. G1B235-R
VERIFY PEOPLE: Ada Zheng, Ivy Lan		Description BNC FEMALE PANEL MOUNT	
UNIT: mm	SCALE:	SHEET 1 OF 1	Rev. 1
		CAS No:	ERN No: