

Distributed by:



www.Jameco.com ♦ 1-800-831-4242

The content and copyrights of the attached material are the property of its owner.

Jameco Part Number 71618

4000/DIP serie

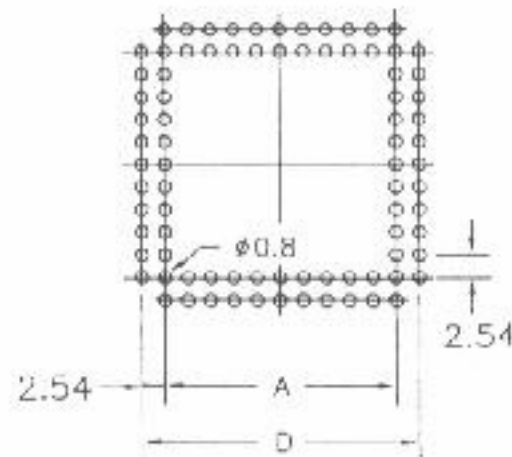
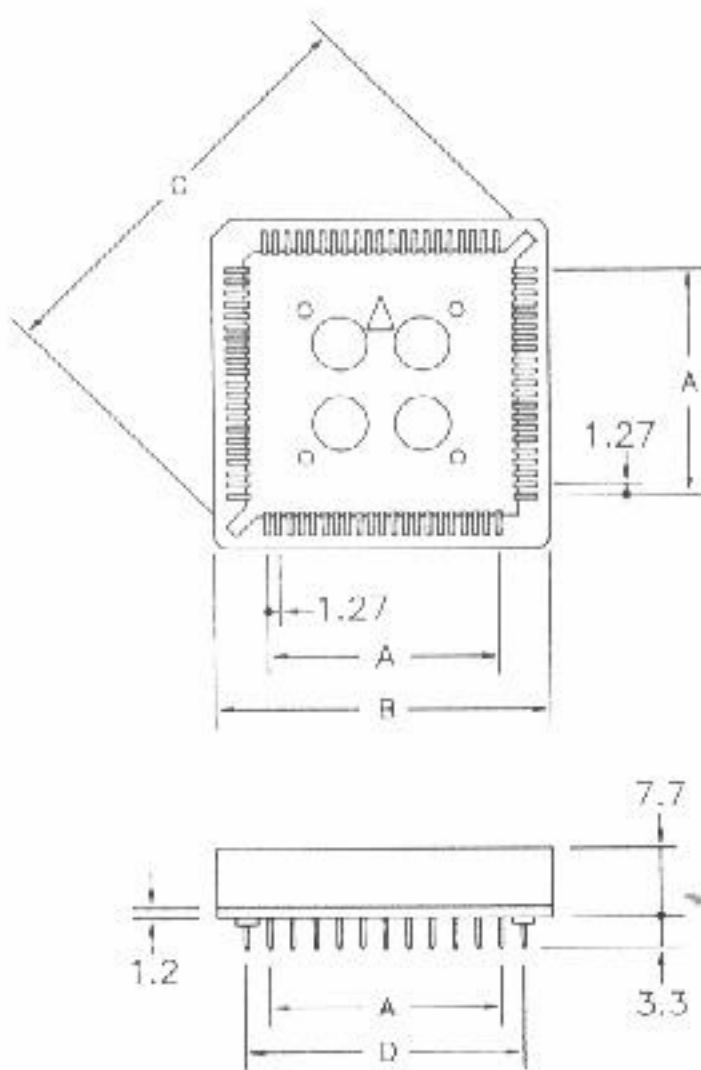
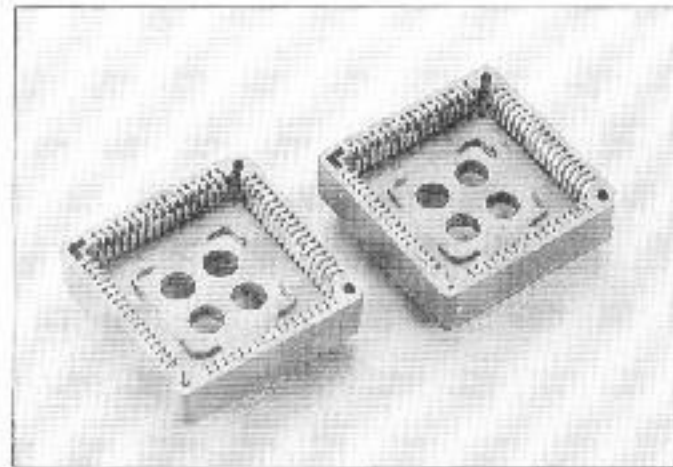
P.L.C.C SOCKET

Specifications:

Contact Resistance: 30mΩmax. at DC 100mA
 Insulator Resistance: 1000MΩmin. at DC 500V
 Current Rating: 1 AMP

Dielectric Withstanding

Voltage: AC 500V For 1 minute
 Operating Temperature: -55°C~+105°C
 Contact: Phosphor Bronze
 Housing: PPS & 40% Glass Fiber (UL 94V-0)
 PBT & 30% Glass Fiber (UL 94V-0)



Dimension

Position	A	B	C	D
20	5.08	15.58	18.30	10.16
28	7.62	18.10	22.20	12.70
32	7.62 10.16	18.80 21.30	25.70	12.70 15.24
44	12.70	23.50	29.80	17.78
52	15.24	26.00	32.64	20.32
68	20.32	30.20	40.10	25.40
84	25.40	35.20	46.90	30.48