

Distributed by:

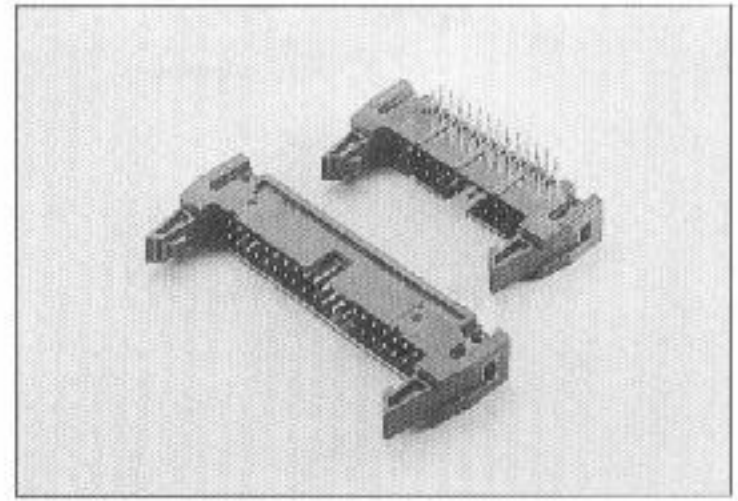
**JAMECO**<sup>®</sup>  
ELECTRONICS

**www.Jameco.com ♦ 1-800-831-4242**

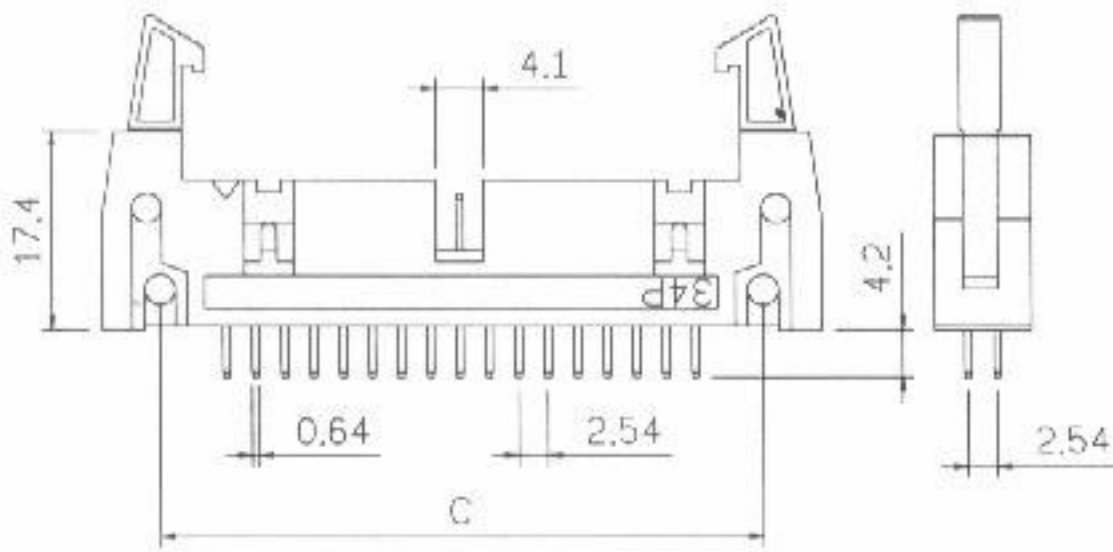
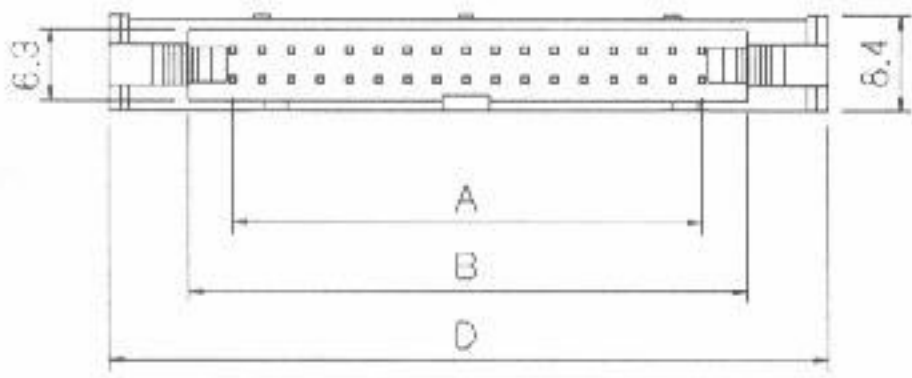
The content and copyrights of the attached  
material are the property of its owner.

Jameco Part Number 71830

**P.C. Board Header Connector With Latches 2.54mm (0.100")**



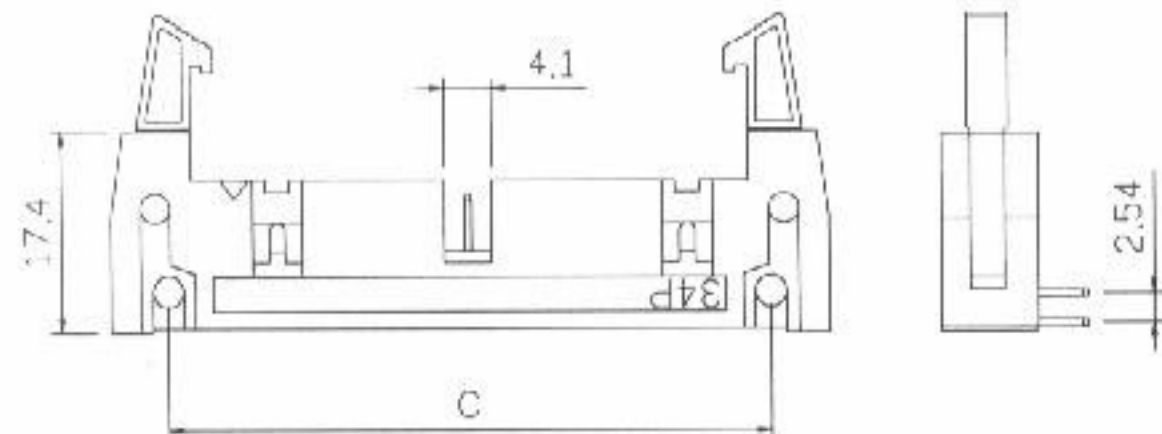
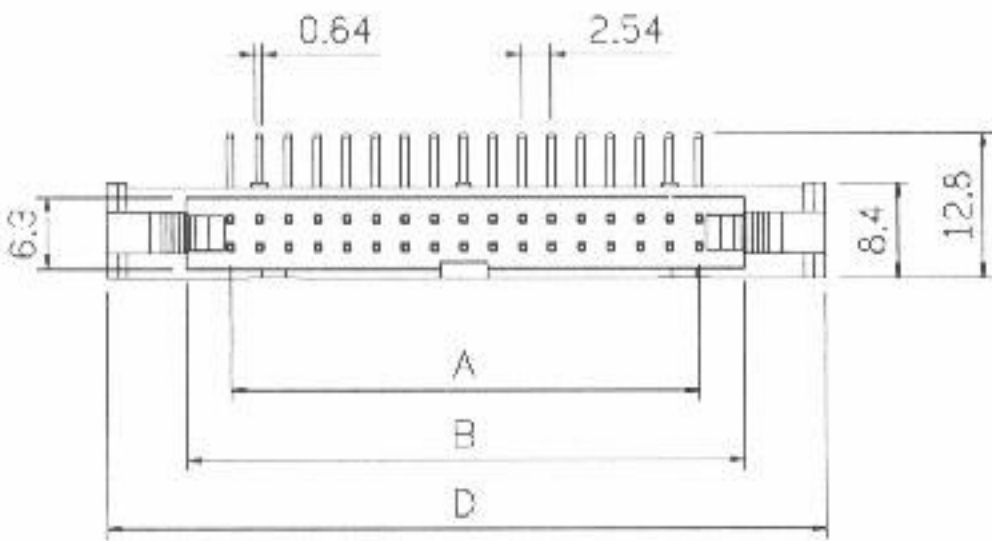
ROHS



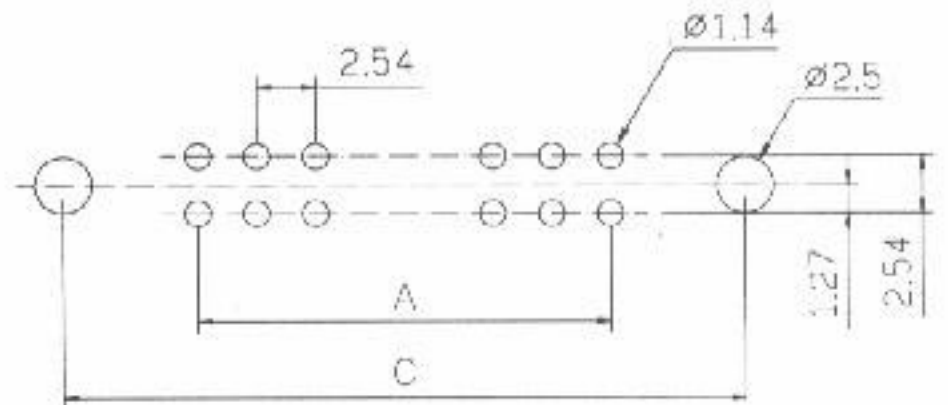
**Straight Type**

**Dimensions**

Positions	A	B	C	D
10	10.16	17.96	21.84	32.00
12	12.70	20.50	24.38	34.54
14	15.24	23.04	26.92	37.08
16	17.78	25.58	29.46	39.62
20	22.86	30.66	34.54	44.70
24	27.94	35.74	39.62	49.78
26	30.48	38.28	42.16	52.32
30	35.56	43.36	47.24	57.40
34	40.64	48.44	52.32	62.48
40	48.26	56.60	60.48	70.10
50	60.96	68.76	72.64	82.80
60	73.66	81.46	85.34	95.50
64	78.74	86.54	90.42	100.58



**Right Angle Type**



**Recommend PCB Layout**

# Product Specification

## Material

**Insulator :** Glass-Filled Thermoplastic  
UL94V-0 rates, Color-Black

**Contact :** Brass or Phosphor Bronze  
Plated full gold or selected gold in  
mating area, 100u" min. tin-lead on  
on termination area, with entire contact  
under-plated 50u" min. Nickel

## Electrical

**Contact Resistance :** 20 milliohms  
Max at 1 AMP DC.

**Insulation Resistance :** 1000  
megohms at 500 VDC

**Dielectric Withstanding Voltage :**  
500 VAC/rms 60Hz for 1 minute

**Current Rating :** 1 AMP

**Voltage Rating :** 250 VAC/rms  
60Hz