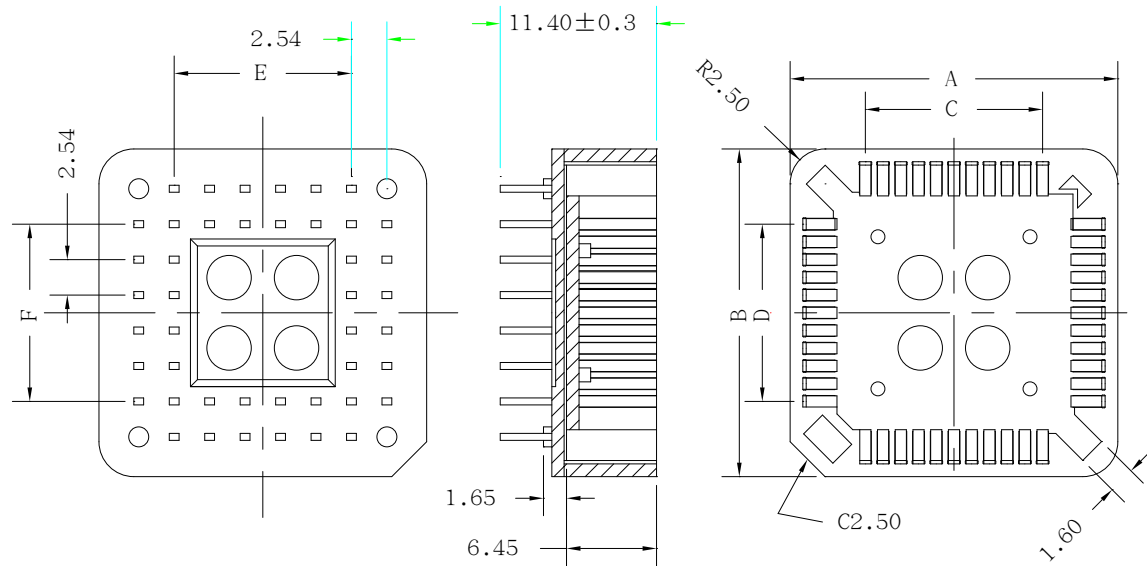


REV.	ECN. NO.	DESCRIPTION



**MATERIAL:**

INSULATOR :Hi-temp PBT or PPS. UL 94V-0  
 Contact material:phosphor bronze JIS 5210  
 Contact Platred :120μ "tin over 30μ "nickel

**SPECIFICATIONS:**

Temperature range:-50°C to 105°C  
 CURRENT Rating :1 AMP  
 Capacitance:1.0 Picoforads (Max)  
 Contact resistance:30 Milliohms (Max)  
 Insulation Resistance :1000 Megohms (Min)  
 Withstanding Voltage: AC 600 Vrms

**MIDDLE TYPE:**

NO OF CONTACT	A±0.2	B±0.2	C±0.1	D±0.1	E±0.1	F±0.1
20 <sub>PBT</sub> PPS	15.50	15.50	5.08	5.08	5.08	5.08
28 <sub>PBT</sub> PPS	18.04	18.04	7.62	7.62	7.62	7.62
32 <sub>PBT</sub> PPS	20.60	18.04	7.62	10.16	7.62	10.16
44 <sub>PBT</sub> PPS	23.35	23.35	12.70	12.70	12.70	12.70
54 <sub>PBT</sub> PPS	25.88	25.88	15.24	15.24	15.24	15.24
68 <sub>PBT</sub> PPS	31.04	31.04	20.32	20.32	20.32	20.32
84 <sub>PBT</sub> PPS	36.04	36.04	25.40	25.40	25.40	25.40
68 PBT	31.66	31.66	20.32	20.32	20.32	20.32
84 PBT	36.66	36.66	25.40	25.40	25.40	25.40

**THIN TYPE:**

NO OF CONTACT	A±0.2	B±0.2	C±0.1	D±0.1	E±0.1	F±0.1
44	23.35	23.35	12.70	12.70	12.70	12.70
68	31.04	31.04	20.32	20.32	20.32	20.32
84	36.04	36.04	25.40	25.40	25.40	25.40

**Top Willing Co., Ltd.**

圖名

**DIP PLCC SOCKET**

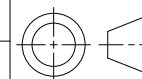
4000 Series

日期

2010-01-31

繪圖

CHENYIXIANG



UNIT/mm  
 TOLERANCES (EXCEPT AS NOTED)  
 MM 0.0±0.25 0.00±0.15  
 INCH 0.00±0.01 0.000±0.006  
 RADIUS ±0.25[0.010]  
 HOLE ±0.13[0.005]  
 ANGLES ±2°