

Distributed by:

JAMECO[®]
ELECTRONICS

www.Jameco.com ♦ 1-800-831-4242

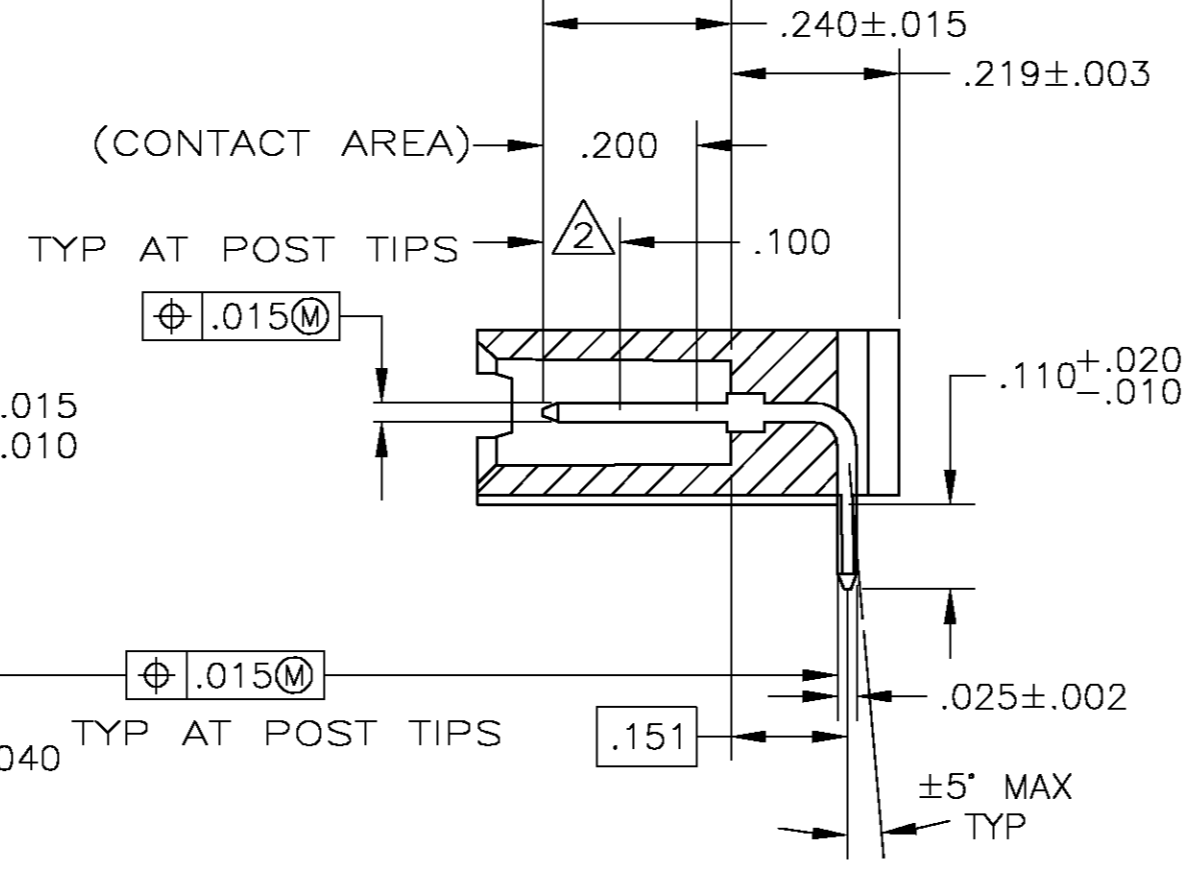
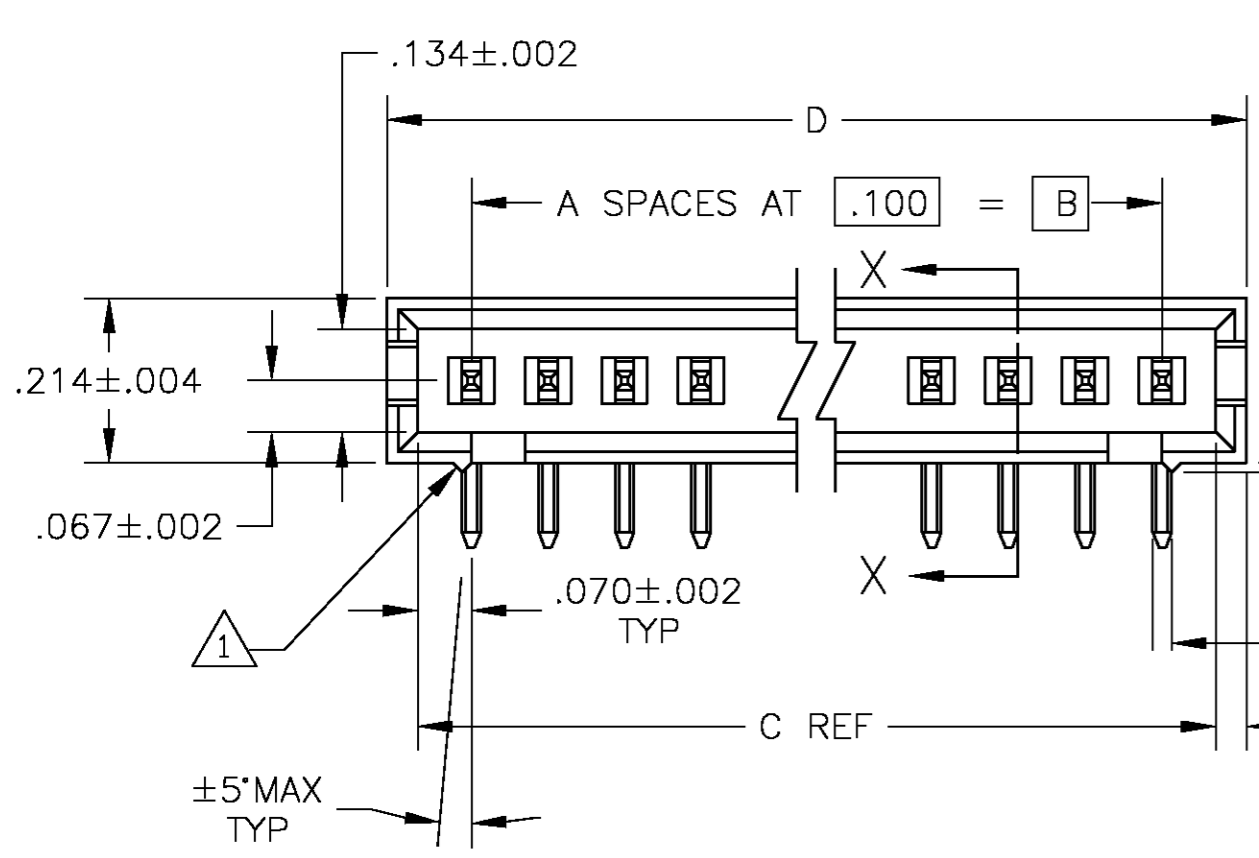
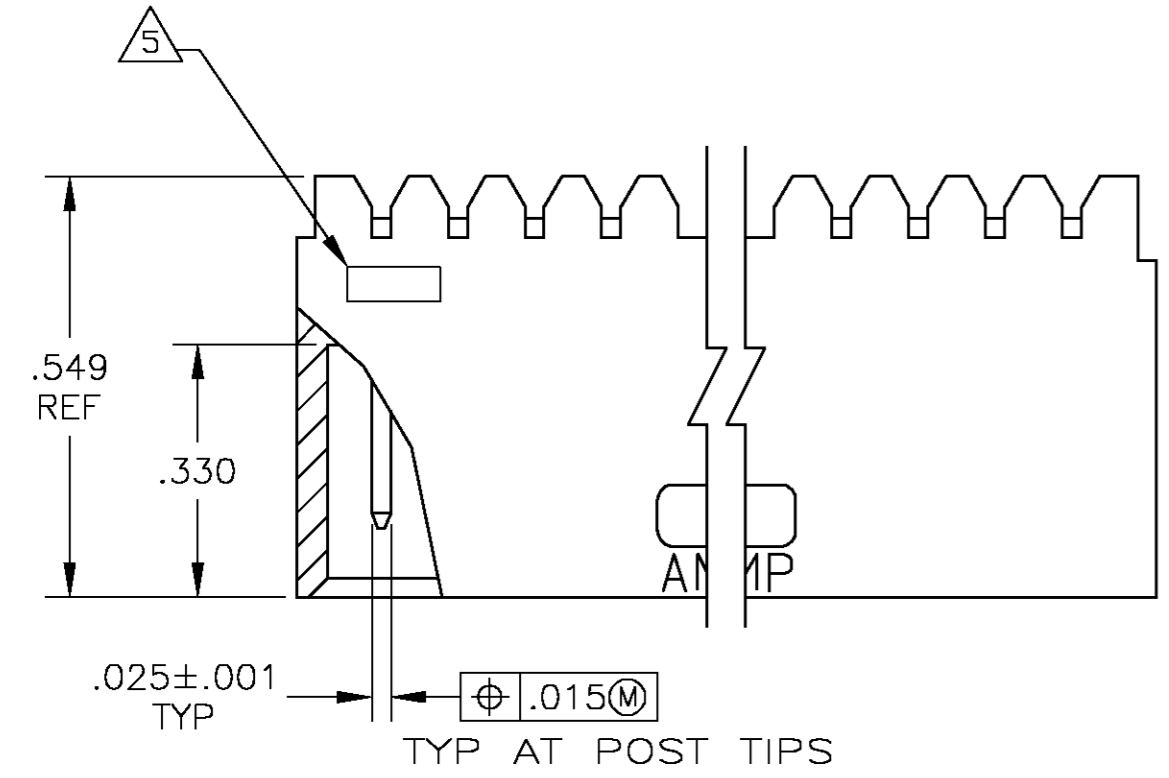
The content and copyrights of the attached
material are the property of its owner.

Jameco Part Number 737248

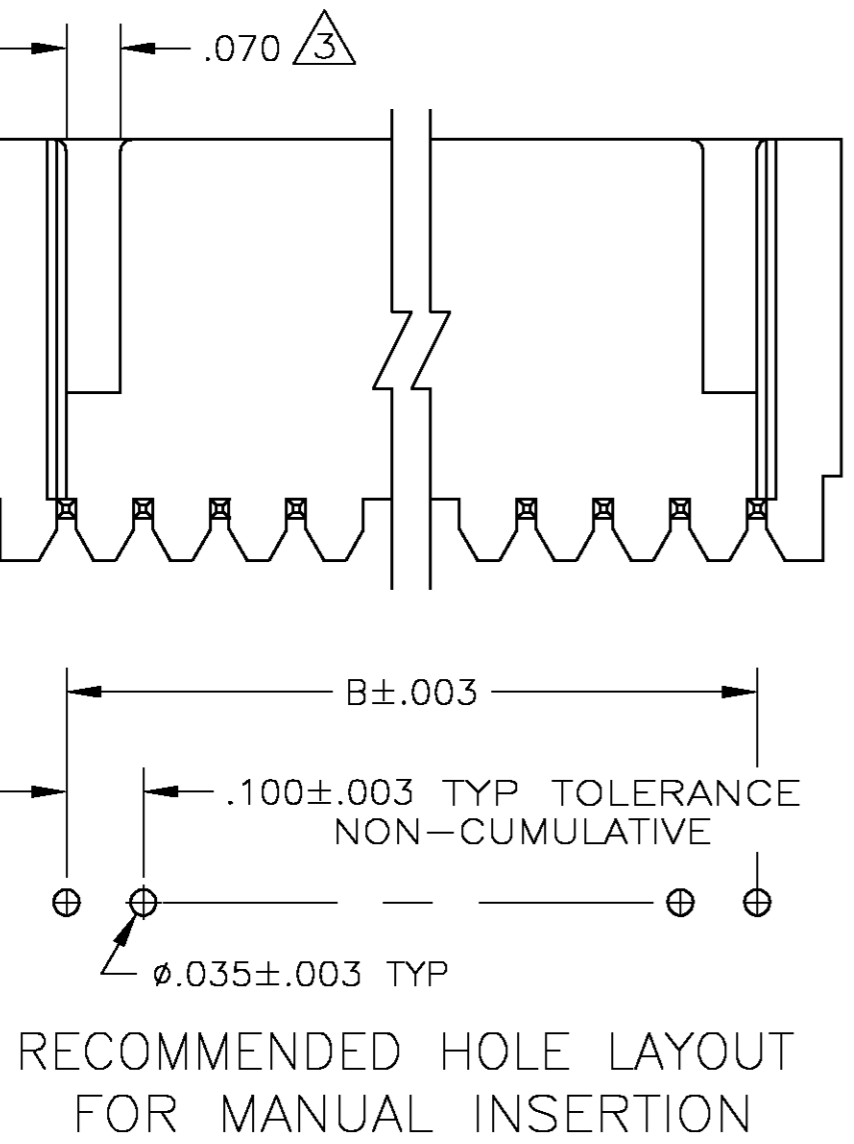
THIS DRAWING IS UNPUBLISHED. RELEASED FOR PUBLICATION
 © COPYRIGHT BY TYCO ELECTRONICS CORPORATION. ALL RIGHTS RESERVED.

LOC		DIST		REVISIONS			
P	LTR	DESCRIPTION		DATE	DWN	APVD	
	U	REV PER 063C-0210-04		06APR04	RB	JG	

- ① STANDOFFS: UP TO 9 POS-(2 REQD) ON THE OUTSIDE ENDS OF THE HOUSING
10 TO 19 POS-(3 REQD) TWO ON THE OUTSIDE ENDS AND ONE CENTERED ON THE HOUSING
19 POS AND LARGER-(4 REQD) TWO ON THE OUTSIDE ENDS AND TWO SPACED EVENLY
WITHIN THE REMAINING LENGTH OF THE HOUSING.
- ② POINT OF MEASUREMENT FOR PLATING THICKNESS.
- ③ FOR 3 POS (3--4 & 3--9 ONLY) ONE SLOT, .215 WIDE.
- ④ INDICATED PARTS ARE PACKAGED IN "GANG-OF-TUBES".
- ⑤ RECESSED DATE CODE
- ⑥ INDICATED PARTS ARE PACKAGED IN "SINGLE TUBES".
- ⑦ .000015 GOLD ON THE CONTACT AREA, .000100-.000200 MATTE TIN-LEAD
ON THE SOLDERTAIL, ALL OVER .000050 NICKEL.
- ⑧ .000015 GOLD ON THE CONTACT AREA, .000100-.000200 MATTE TIN
ON THE SOLDERTAIL, ALL OVER .000050 NICKEL.
- ⑨ PRELIMINARY PART



FINISH	D	C	B	A	NO OF POS	ASSEMBLY PART NUMBER	
⑨	⑧	1.720	1.640	1.500	15	16	4-102203-0
⑨	⑧	.420	.340	.200	2	③ 3	3-102203-9
⑨	⑧	1.020	.940	.800	8	9	3-102203-8
⑨	⑧	.520	.440	.300	3	4	3-102203-7
⑥	⑦	.820	.740	.600	6	7	3-102203-6
⑦	⑦	1.120	1.040	.900	9	④ 10	3-102203-5
⑦	⑦	.420	.340	.200	2	③ 3	3-102203-4
OBSOLETE	⑦	3.720	3.640	3.500	35	36	3--3
OBSOLETE	⑦	3.620	3.540	3.400	34	35	3--2
OBSOLETE	⑦	3.520	3.440	3.300	33	34	3--1
OBSOLETE	⑦	3.420	3.340	3.200	32	33	3--0
OBSOLETE	⑦	3.320	3.240	3.100	31	32	2--9
OBSOLETE	⑦	3.220	3.140	3.000	30	31	2--8
OBSOLETE	⑦	3.120	3.040	2.900	29	30	2--7
OBSOLETE	⑦	3.020	2.940	2.800	28	29	2--6
OBSOLETE	⑦	2.920	2.840	2.700	27	28	2--5
OBSOLETE	⑦	2.820	2.740	2.600	26	27	2--4
OBSOLETE	⑦	2.720	2.640	2.500	25	26	2--3
⑦	⑦	2.620	2.540	2.400	24	25	2--2
⑦	⑦	2.520	2.440	2.300	23	24	2--1
⑦	⑦	2.420	2.340	2.200	22	23	2--0
⑦	⑦	2.320	2.240	2.100	21	22	1--9
⑦	⑦	2.220	2.140	2.000	20	21	1--8
⑦	⑦	2.120	2.040	1.900	19	20	1--7
⑦	⑦	2.020	1.940	1.800	18	19	1--6
⑦	⑦	1.920	1.840	1.700	17	18	1--5
⑦	⑦	1.820	1.740	1.600	16	17	1--4
⑦	⑦	1.720	1.640	1.500	15	16	1--3
⑦	⑦	1.620	1.540	1.400	14	15	1--2
⑦	⑦	1.520	1.440	1.300	13	14	1--1
⑦	⑦	1.420	1.340	1.200	12	13	1--0
⑦	⑦	1.320	1.240	1.100	11	12	--9
⑦	⑦	1.220	1.140	1.000	10	11	--8
⑦	⑦	1.120	1.040	.900	9	10	--7
⑦	⑦	1.020	.940	.800	8	9	--6
⑦	⑦	.920	.840	.700	7	8	--5
⑦	⑦	.820	.740	.600	6	7	--4
⑦	⑦	.720	.640	.500	5	6	--3
⑦	⑦	.620	.540	.400	4	5	--2
⑦	⑦	.520	.440	.300	3	4	102203-1



THIS DRAWING IS A CONTROLLED DOCUMENT.

DWN: D. RINGLEY 6-11-85
 CHK: -
 APVD: D. DUPLER 6-11-85
 NAME: ASSEMBLY, MOD II, HEADER, SINGLE ROW, .100 C/L, RIGHT ANGLE, WITH .025 SQ. POST

TOLERANCES UNLESS OTHERWISE SPECIFIED:
 0 PLC ± -
 1 PLC ± -
 2 PLC ± -
 3 PLC ± .005
 4 PLC ± -
 ANGLES ± -
 FINISH SEE TABLE

MATERIAL: RETARDANT THERMOPLASTIC, COLOR-BLACK, POSTS-PHOS BRONZE

SIZE: A2
 CAGE CODE: 00779
 DRAWING NO: 102203
 RESTRICTED TO: -

SCALE: 4:1
 SHEET: 1 OF 1
 REV: U