

Distributed by:

JAMECO[®]
ELECTRONICS

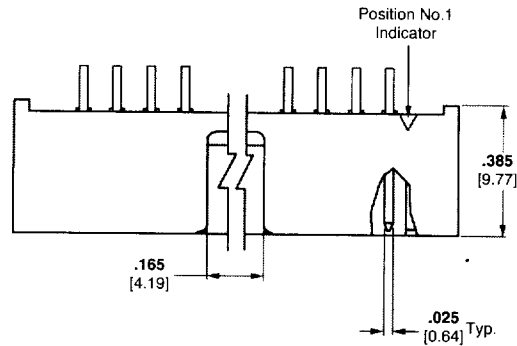
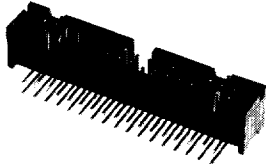
www.Jameco.com ♦ 1-800-831-4242

The content and copyrights of the attached
material are the property of its owner.

Jameco Part Number 737758

Low Profile Headers — Shrouded with .150 [3.18] End Dimension Double Row, .100 x .100 [2.54 x 2.54] Centers, .135 [3.43] Solder Tail

.025 [0.64] Square Right-Angle Post



Material and Finish:

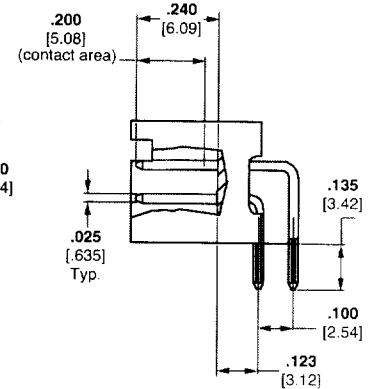
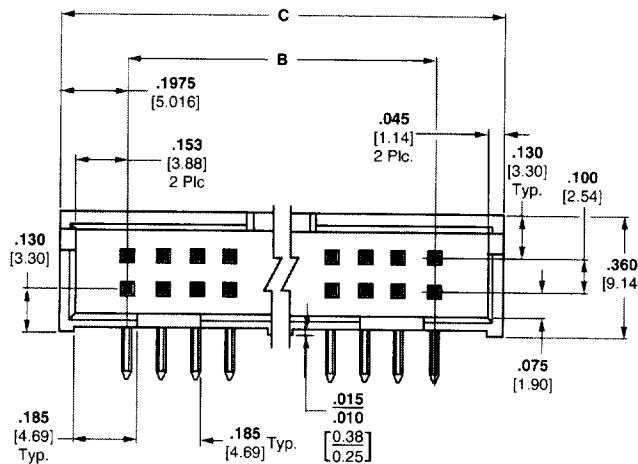
Housing—Black thermoplastic, 94V-0 rated, flame retardant

Contacts—Copper alloy, duplex plated

Plating Specifications:

Duplex¹ — .000015 [0.00038] gold on contact area, .000100-.000200 [0.00254-0.00508] tin-lead on solder area, with entire post underplated .000050 [0.00127] nickel

Duplex² — .000030 [0.00076] gold on contact area, .000100-.000200 [0.00254-0.00508] tin-lead on solder area, with entire post underplated .000050 [0.00127] nickel



Related Product Data:

Electrical Characteristics—page 4007

Mateable Connectors:

Pages 4008 thru 4010

Accessories:

Snap-In Polarizer — page 4032

No. of Positions	Dimensions		Post Plating	Part Numbers
	B	C		
10	.400	.800	Duplex ¹	103310-1
	10.16	20.32	Duplex ²	103311-1
14	.600	1.000	Duplex ¹	103310-2
	15.24	25.40	Duplex ²	103311-2
16	.700	1.100	Duplex ¹	103310-3
	17.78	27.94	Duplex ²	103311-3
20	.900	1.300	Duplex ¹	103310-5
	22.86	33.02	Duplex ²	103311-5
26	1.200	1.600	Duplex ¹	103310-6
	30.48	40.64	Duplex ²	103311-6
34	1.600	2.000	Duplex ¹	103310-7
	40.64	50.80	Duplex ²	103311-7
40	1.900	2.300	Duplex ¹	103310-8
	48.26	58.42	Duplex ²	103311-8
44	2.100	2.500	Duplex ²	103311-9
	53.34	63.50		
50	2.400	2.800	Duplex ¹	1-103310-0
	60.96	71.12	Duplex ²	1-103311-0
60	2.900	3.300	Duplex ¹	1-103310-2
	73.66	83.82	Duplex ²	1-103311-2