

Distributed by:

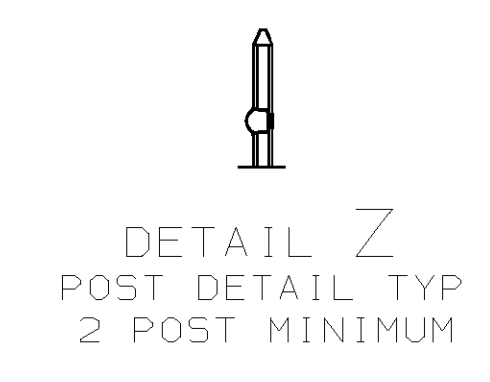
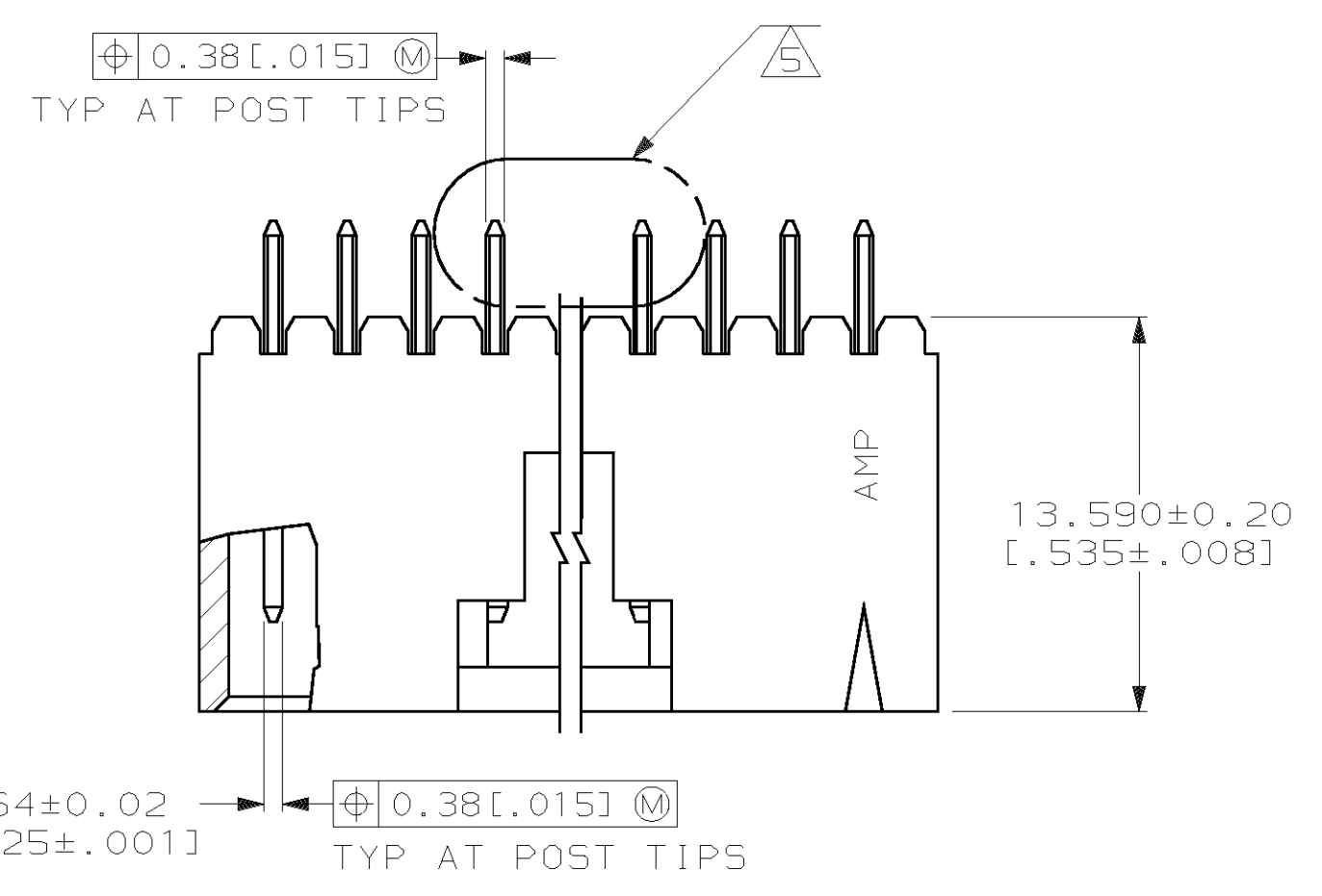
**JAMECO**<sup>®</sup>  
ELECTRONICS

**www.Jameco.com ♦ 1-800-831-4242**

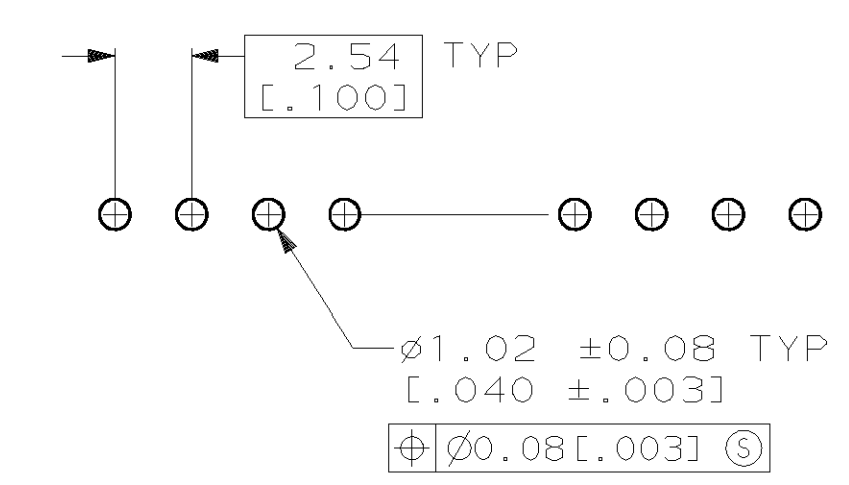
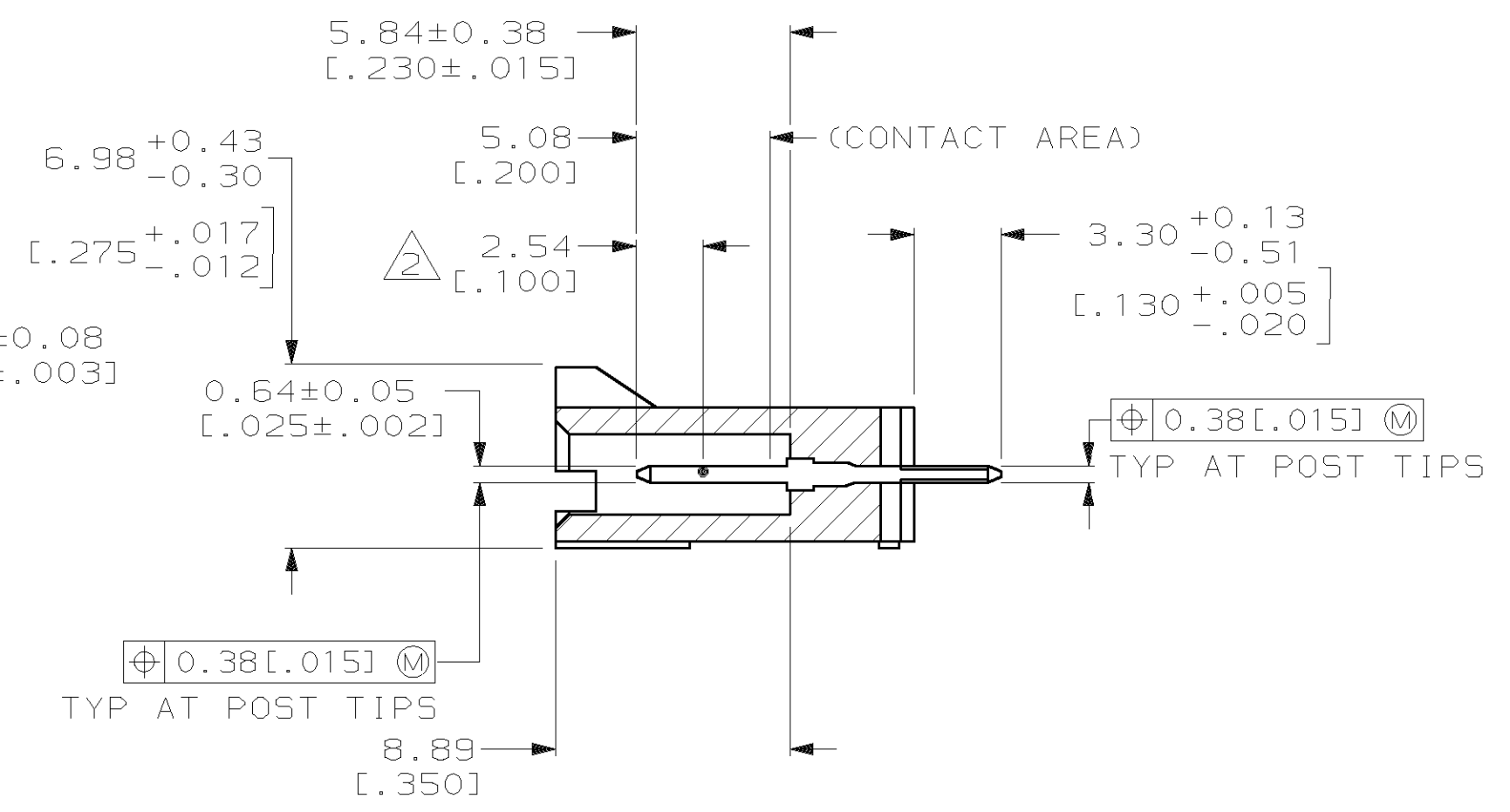
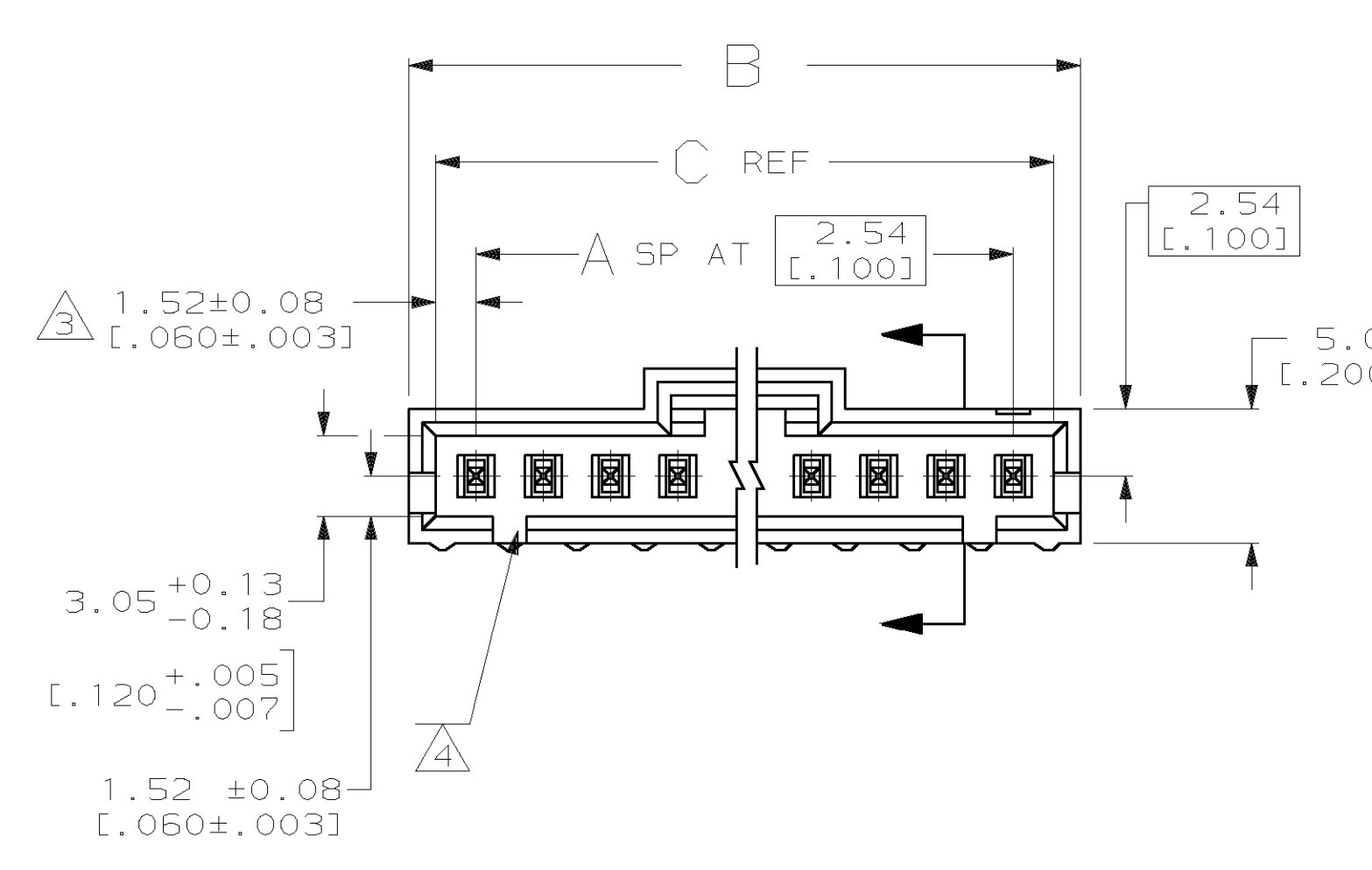
The content and copyrights of the attached  
material are the property of its owner.

Jameco Part Number 738187

LOC	DIST	P	F	ZONE	LTR	DESCRIPTION	DATE	APPD
AD	00				F	REV PER AD-5122	-	-
					G	REV PER AD-5705	2-10-92	MR
					H	OBS PER 0010-0831-93	9-10-93	JG
					J	REV PER 0010-0782-93	2-16-94	JG
					K	REV PER 0010-1884-93	2-16-94	JG
					L	REV PER 0010-0104-95	3-3-95	JG
					M	REV PER 0010-0012-96	1-3-96	JG
					N	REV PER 0010-1114-95	1-25-96	JG
					P	REV PER 0310-0040-97	1-28-97	JG
					R	REV PER 0310-0302-97	8-25-97	JH
					S	REV PER EC 063C-0441-00	05FEB01	KW



- ① .00038[.000015] GOLD IN THE CONTACT AREA, .00254[.000100] MATTE TIN-LEAD ON REMAINDER OF CONTACT, ALL OVER .00127[.000050] NICKEL.
- ② POINT OF MEASUREMENT FOR PLATING THICKNESS.
- ③ THE NOTED DIMENSIONS APPLY AT THE INTERSECTION OF THE POST AND THE HOUSING.
- ④ ON ASSEMBLIES WITH FOUR OR MORE POSITIONS, TWO POLARIZATION SLOTS. ON ASSEMBLIES WITH TWO OR THREE POSITIONS, ONE POLARIZATION SLOT.
- ⑤ SELECT POST TAILS FORMED TO PROVIDE CONNECTOR HOLD DOWN UNTIL SOLDERED. CONFIGURATION ACCEPTS 0.69[.027]-2.03[.080] THICK PRINTED CIRCUIT BOARD. ( SEE DETAIL Z ).



RECOMMENDED HOLE LAYOUT

64.01	66.04	24	25	2-103670-4
[2.520]	[2.600]			
61.47	63.50	23	24	2-103670-3
[2.420]	[2.500]			
58.93	60.96	22	23	2-103670-2
[2.320]	[2.400]			
56.39	58.42	21	22	2-103670-1
[2.220]	[2.300]			
53.85	55.88	20	21	2-103670-0
[2.120]	[2.200]			
51.31	53.34	19	20	1-103670-9
[2.020]	[2.100]			
48.77	50.80	18	19	1-103670-8
[1.920]	[2.000]			
46.23	48.26	17	18	1-103670-7
[1.820]	[1.900]			
43.69	45.72	16	17	1-103670-6
[1.720]	[1.800]			
41.15	43.18	15	16	1-103670-5
[1.620]	[1.700]			
38.61	40.64	14	15	1-103670-4
[1.520]	[1.600]			
36.07	38.10	13	14	1-103670-3
[1.420]	[1.500]			
33.53	35.56	12	13	1-103670-2
[1.320]	[1.400]			
30.99	33.02	11	12	1-103670-1
[1.220]	[1.300]			
28.45	30.48	10	11	1-103670-0
[1.120]	[1.200]			
25.91	27.94	9	10	103670-9
[1.020]	[1.100]			
23.37	25.40	8	9	103670-8
[.920]	[1.000]			
20.83	22.86	7	8	103670-7
[.820]	[.900]			
18.29	20.32	6	7	103670-6
[.720]	[.800]			
15.75	17.78	5	6	103670-5
[.620]	[.700]			
13.21	15.24	4	5	103670-4
[.520]	[.600]			
10.67	12.70	3	4	103670-3
[.420]	[.500]			
8.13	10.16	2	3	103670-2
[.320]	[.400]			
5.59	7.62	1	2	103670-1
[.220]	[.300]			
C	B	A	NO. OF POSN	PART NO.

PART NO		PART NO	
DO NOT SCALE PRINT. UNLESS SPECIFIED DIMENSIONS IN mm [INCHES]	DR 3-5-91 S. SHUEY	<b>AMP</b> AMP Incorporated Harrisburg, PA 17105-3508 NAME HDR ASSY, VERT, SINGLE ROW 2.54[.100]ϕ, 0.64[.025] SQ POST, WITH PLZN & RETENTIVE POSTS, AMPMODU MTE	
TOLERANCES ON:	CHK 2-14-92 M. RIDER		
2 PLC DEC ± 0.13[.005]	APPD 2-14-92 M. RIDER		
3 PLC DEC ± -	APPD 2-14-92 R. FELIX	PRODUCT SPEC	108-25034
ANGLES ± -	FINISH	APPLICATION SPEC	114-25026
MATERIAL HOUSING: FLAME RETARDANT THERMOPLASTIC COLOR - BLACK		SIZE	D
CONTACTS: BRASS		CAGE CODE	00779
		DRAWING NO	103670
		SCALE	4:1
		SHEET	1 OF 1

