

Distributed by:

JAMECO[®]
ELECTRONICS

www.Jameco.com ♦ 1-800-831-4242

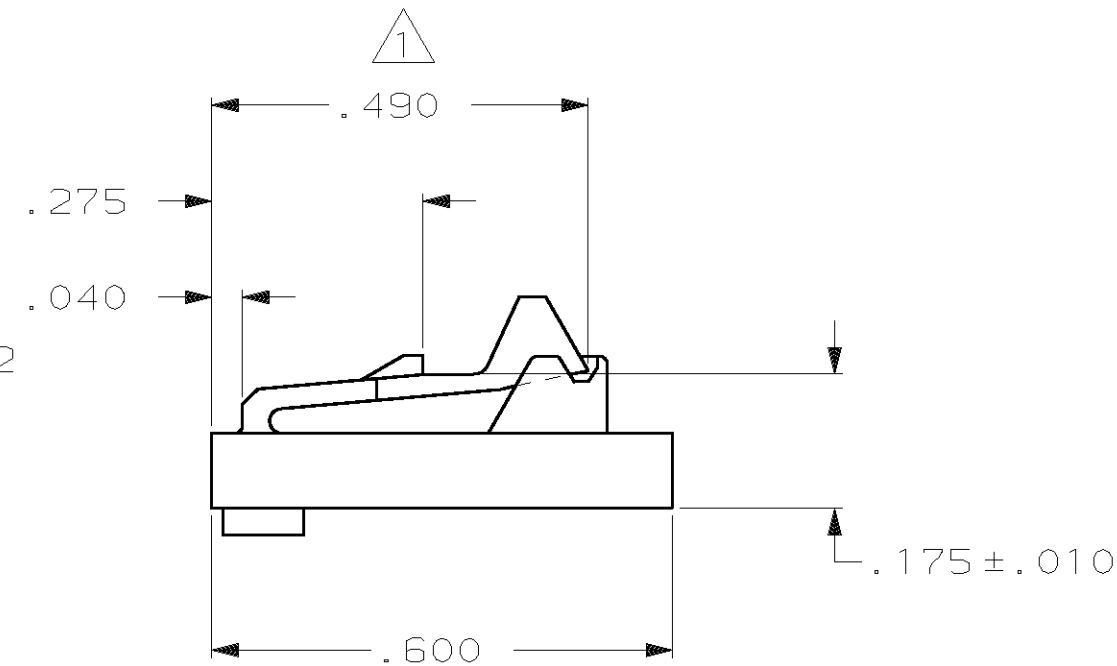
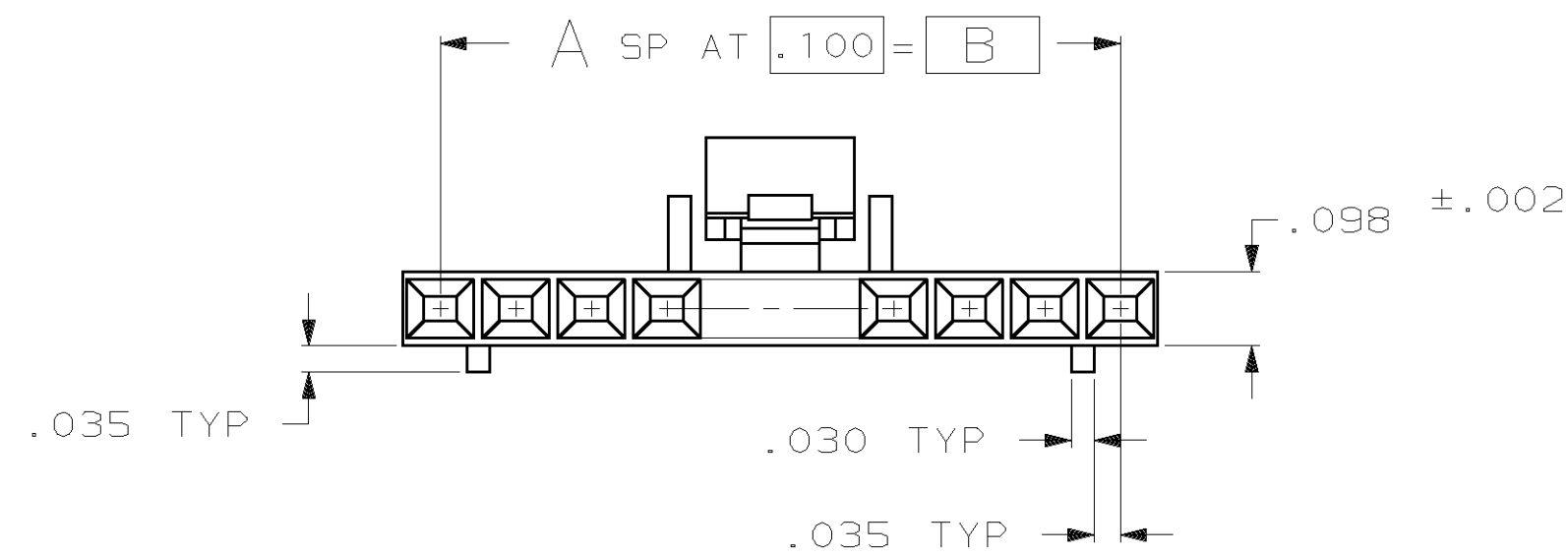
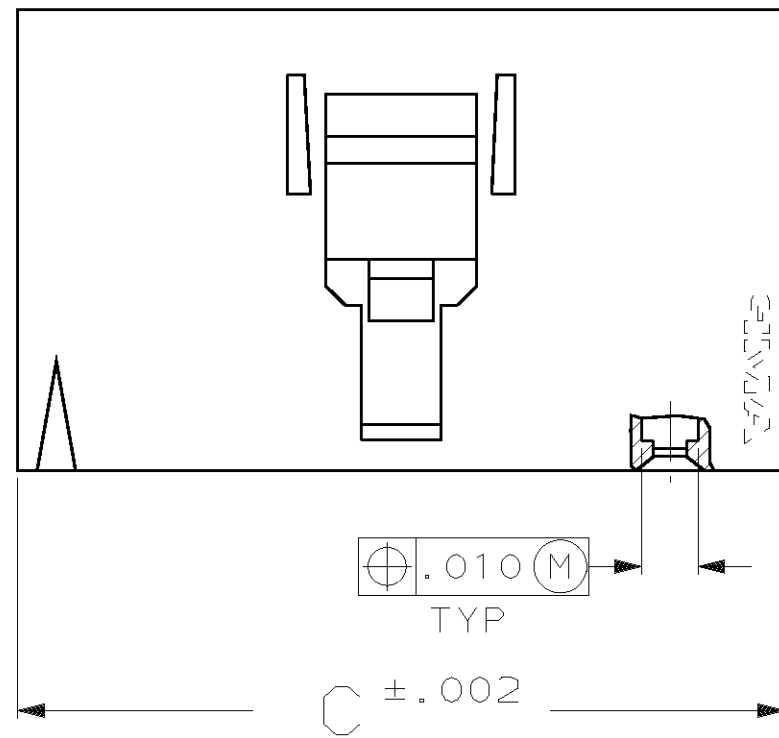
The content and copyrights of the attached
material are the property of its owner.

Jameco Part Number 738945

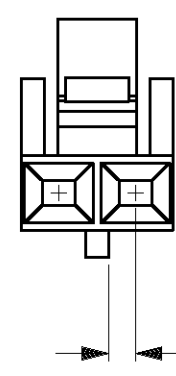
THIS DRAWING IS UNPUBLISHED. RELEASED FOR PUBLICATION, 19
 © COPYRIGHT 19 BY AMP INCORPORATED, HARRISBURG, PA. ALL INTERNATIONAL RIGHTS RESERVED. AMP PRODUCTS MAY BE COVERED BY U.S. AND FOREIGN PATENTS AND/OR PATENTS PENDING.

LOC	DIST	P	F	ZONE	LTR	REVISIONS	DATE	APPROVED
AD	39					o RELEASED	-	-
						A REV ECN 1923	7-8-88	HM
						B REV LOC & DIST AD-4171	3-90	BF
						C REV PER AD-6460	5-18-92	MR
						D REV PER 0010-0782-93	2-16-94	JG
						E REV PER 0010-1884-93	2-16-94	JG
						F REV PER EC 0G3C-296-01	27SEP01	JG

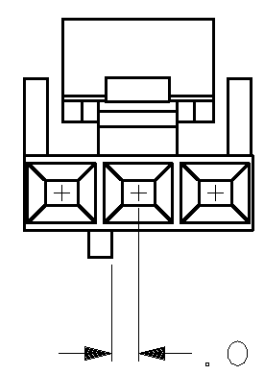
THIS DIMENSION .480 FOR 2 POSN ONLY



2.498	2.400	24	25	2-104257-4
2.398	2.300	23	24	2-104257-3
2.298	2.200	22	23	2-104257-2
2.198	2.100	21	22	2-104257-1
2.098	2.000	20	21	2-104257-0
1.998	1.900	19	20	1-104257-9
1.898	1.800	18	19	1-104257-8
1.798	1.700	17	18	1-104257-7
1.698	1.600	16	17	1-104257-6
1.598	1.500	15	16	1-104257-5
1.498	1.400	14	15	1-104257-4
1.398	1.300	13	14	1-104257-3
1.298	1.200	12	13	1-104257-2
1.198	1.100	11	12	1-104257-1
1.098	1.000	10	11	1-104257-0
.998	.900	9	10	104257-9
.898	.800	8	9	104257-8
.798	.700	7	8	104257-7
.698	.600	6	7	104257-6
.598	.500	5	6	104257-5
.498	.400	4	5	104257-4
.398	.300	3	4	104257-3
.298	.200	2	3	104257-2
.198	.100	1	2	104257-1
C	B	A	NO OF POSN	PART NUMBER



DETAIL FOR -1 ONLY (2 POSITION)



DETAIL FOR -2 ONLY (3 POSITION)

UNLESS OTHERWISE SPECIFIED DIMENSIONS ARE IN INCHES TOLERANCES ON : 2 PL DEC ± - 3 PL DEC ± .005 ANGLES ± -	DR 8-5-87 H MOLL	AMP INCORPORATED Harrisburg, Pa. 17105		
	CHK 8-5-87 P de Jong			
	MATERIAL: FLAME RETARDANT THERMOPLASTIC; COLOR:BLACK	APPD 8-5-87 P de Jong	NAME RECEPTACLE HOUSING, AMPMODU [®] MTE, SINGLE ROW, .100CL POLARIZED WITH LATCH	
	FINISH:	APPD 8-5-87 J SCHIEFER	SIZE C	FSCM NO 00779
WEIGHT	PRODUCT SPEC 108-25034	SCALE 4:1	SHEET 1 OF 1	
	APPLICATION SPEC 114-25026			

- [Home](#)
- [Part Number Search](#)
- [Text Search](#)
- [Alternate Part Search](#)
- [Multiple Part Comparison](#)
- [Alphabetical Search](#)
- [Brand Search](#)
- [Industry Product Search](#)
- [Product Type Search](#)
- [Product Family Search](#)
- [Competitor Cross Reference](#)
- [Document Number Search](#)
- [Lead Free Solutions](#)
- [Help/Glossary](#)

Current Brand View	View All Tyco Electronics Brands <small>Click to activate links to all other products</small>
AMP	

AMPMODU

MTE, MT, Level V IDC, Tandem Spring Products

MTE

AMP

104257-1 -- 5 of 7 products

Active

[Active](#)

(Tyco Electronics P/N: 104257-1)

Previous	Next		Sales Information	AMP ACES	Step Search Screen
			Related CAD Geometry	Related Documents	General Information
				Pricing	Product Availability

Please use the customer drawing for all design activity.

- Customer Drawing: 104257, Rev. F**
 Document Title: RECEPTACLE HOUSING, AMPMODU MTE, SINGLE ROW, .100CL POLARIZED WITH LATCH

[221865.pdf](#) [221865.pdf](#) (51K)

The photographs and/or line drawings below are representative images of a product for viewing purposes only.

[Product Photo](#)

Searchable Features:	
Brand:	AMP
Product Type:	Housing
No. of Positions:	2
Housing Type:	Receptacle
No. of Rows:	Single
Centerline, Matrix (mm [in]):	2.54 [.100]
Mating Polarization:	Yes
Mating Polarization Method:	Latched
Contact Type:	MTE (IDC)
Color:	Black

Other Properties:	
Housing Material:	Thermoplastic
Housing Flammability Rating:	UL 94V-0
Comment:	Refer to AMPMODU contacts for crimp snap-in replacement receptacle or pin contacts.

[Copyright](#) and [Privacy Statement](#)

Visit [Tyco International, Ltd.](#)

[Products](#) | [eCatalog](#) | [Brands](#) | [Industries](#) | [eCommerce](#) | [Customer Service](#) | [About](#) | [Home](#)