

Distributed by:

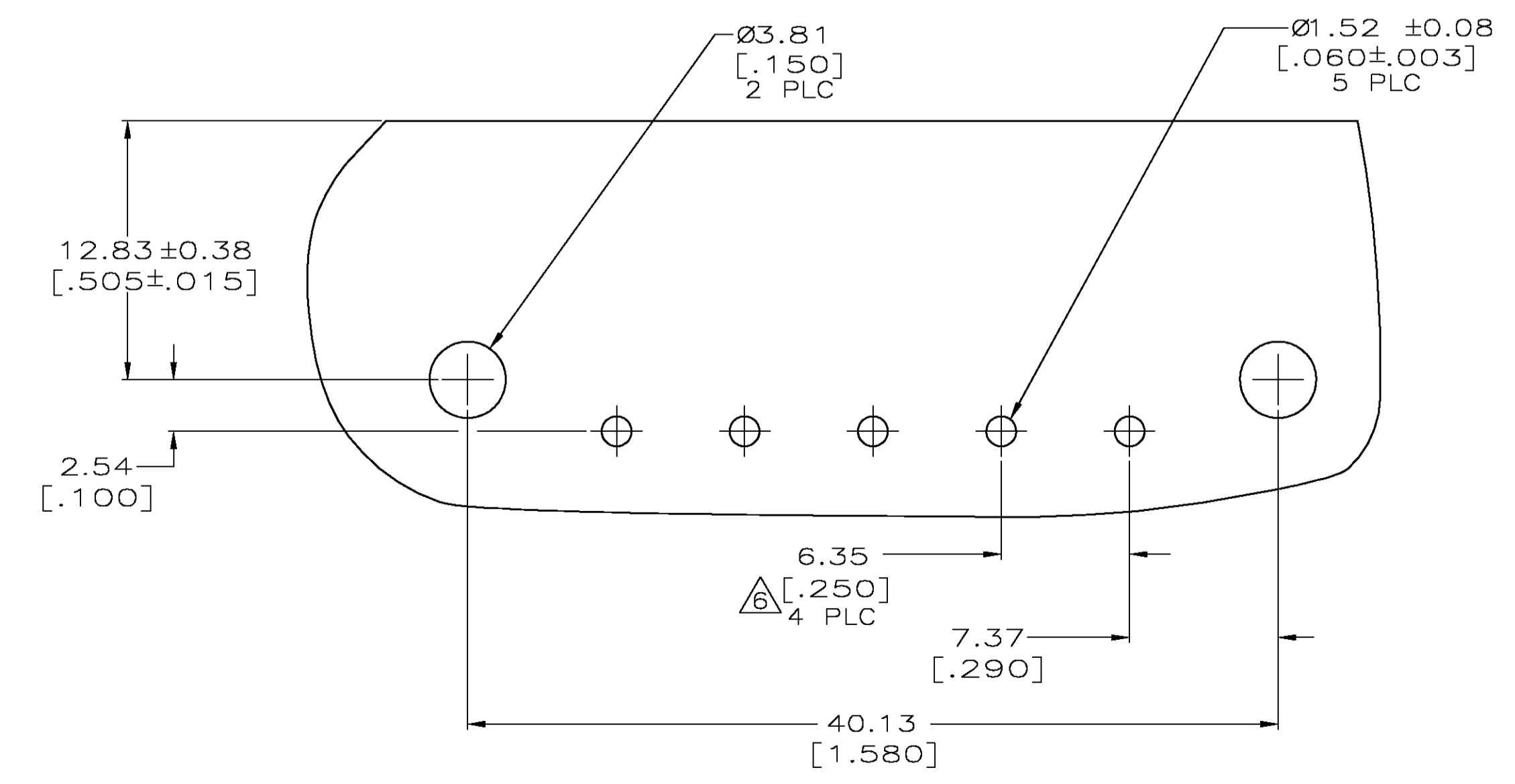
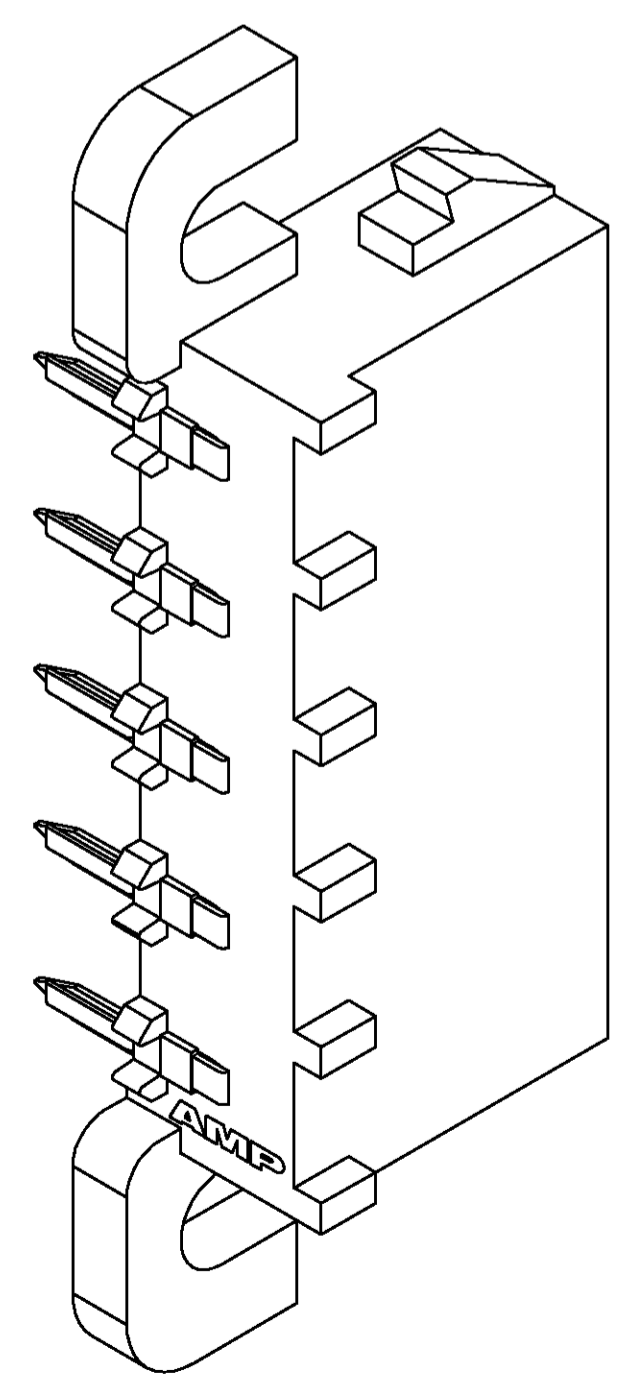
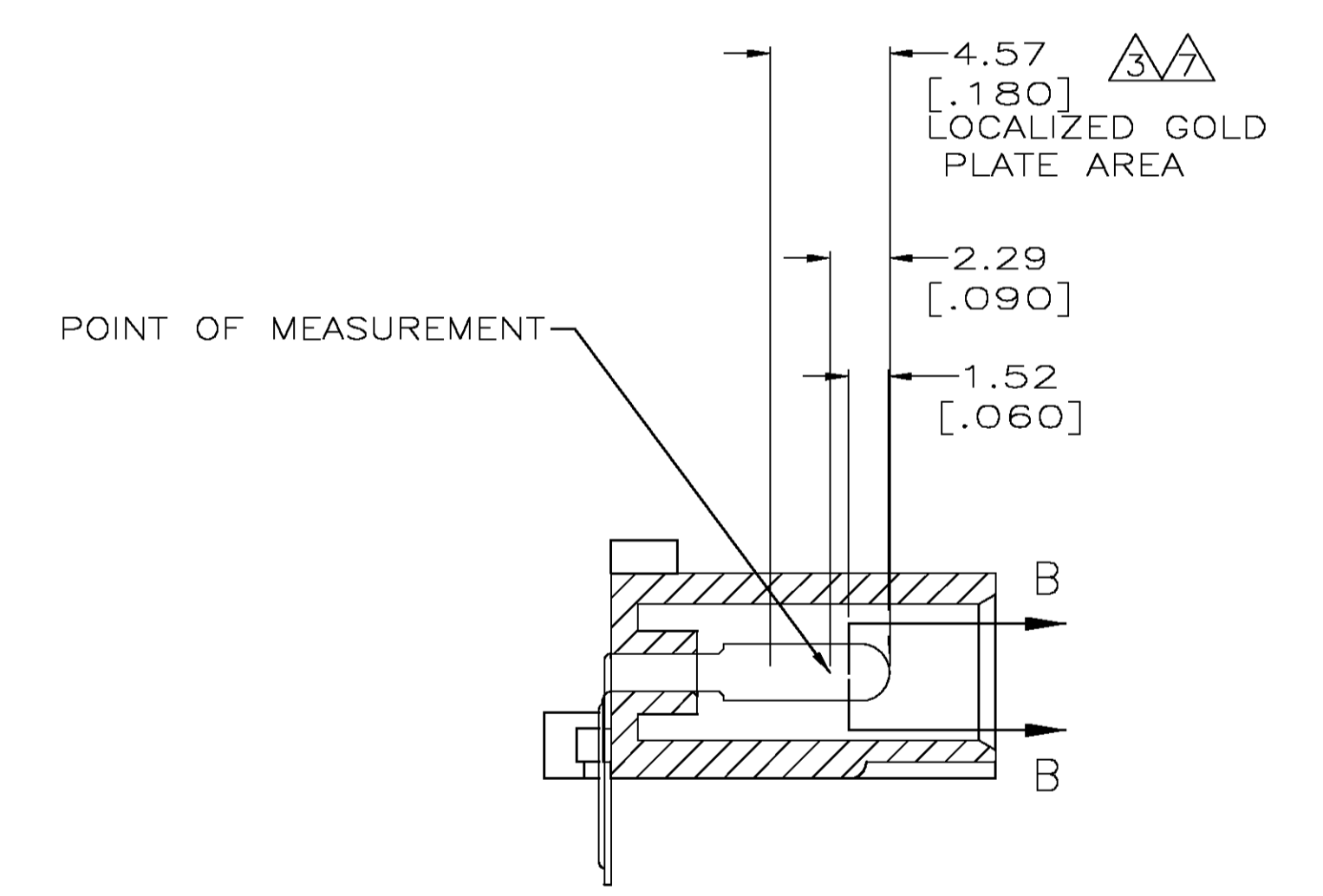
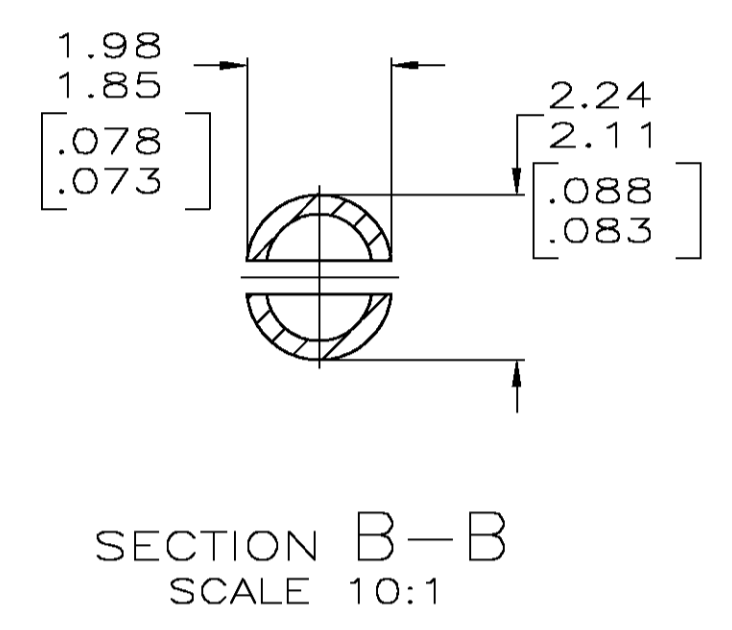
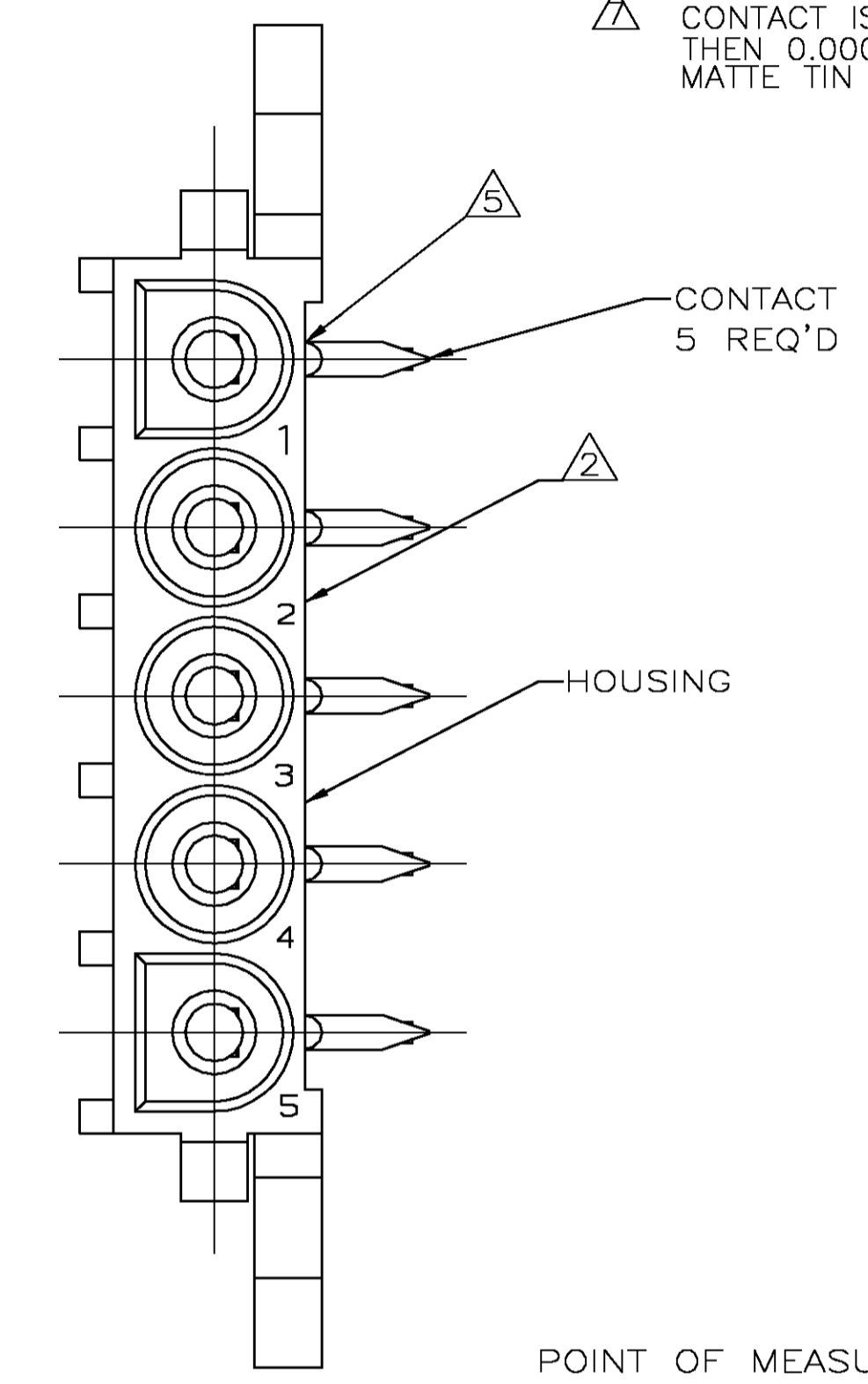
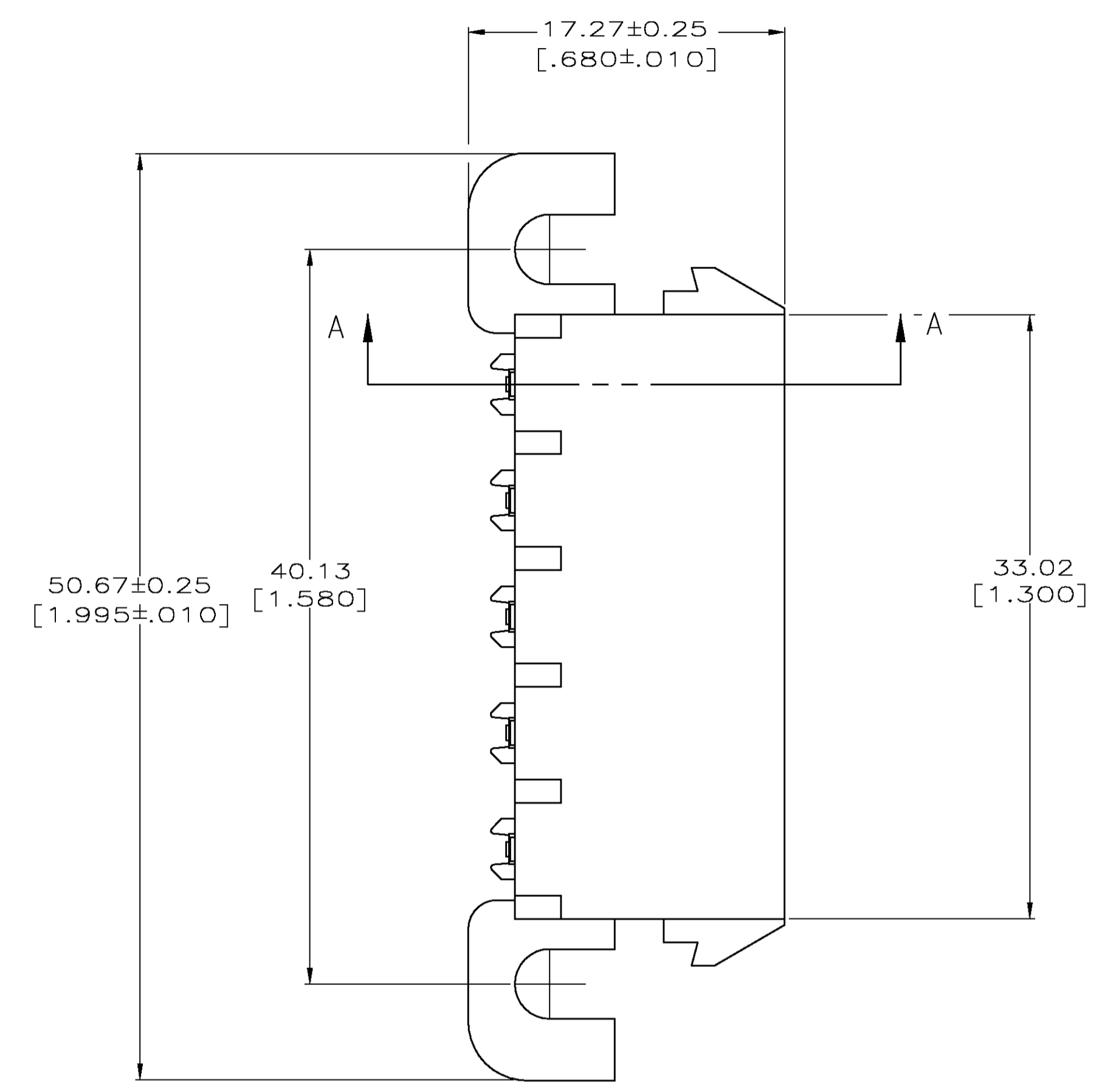
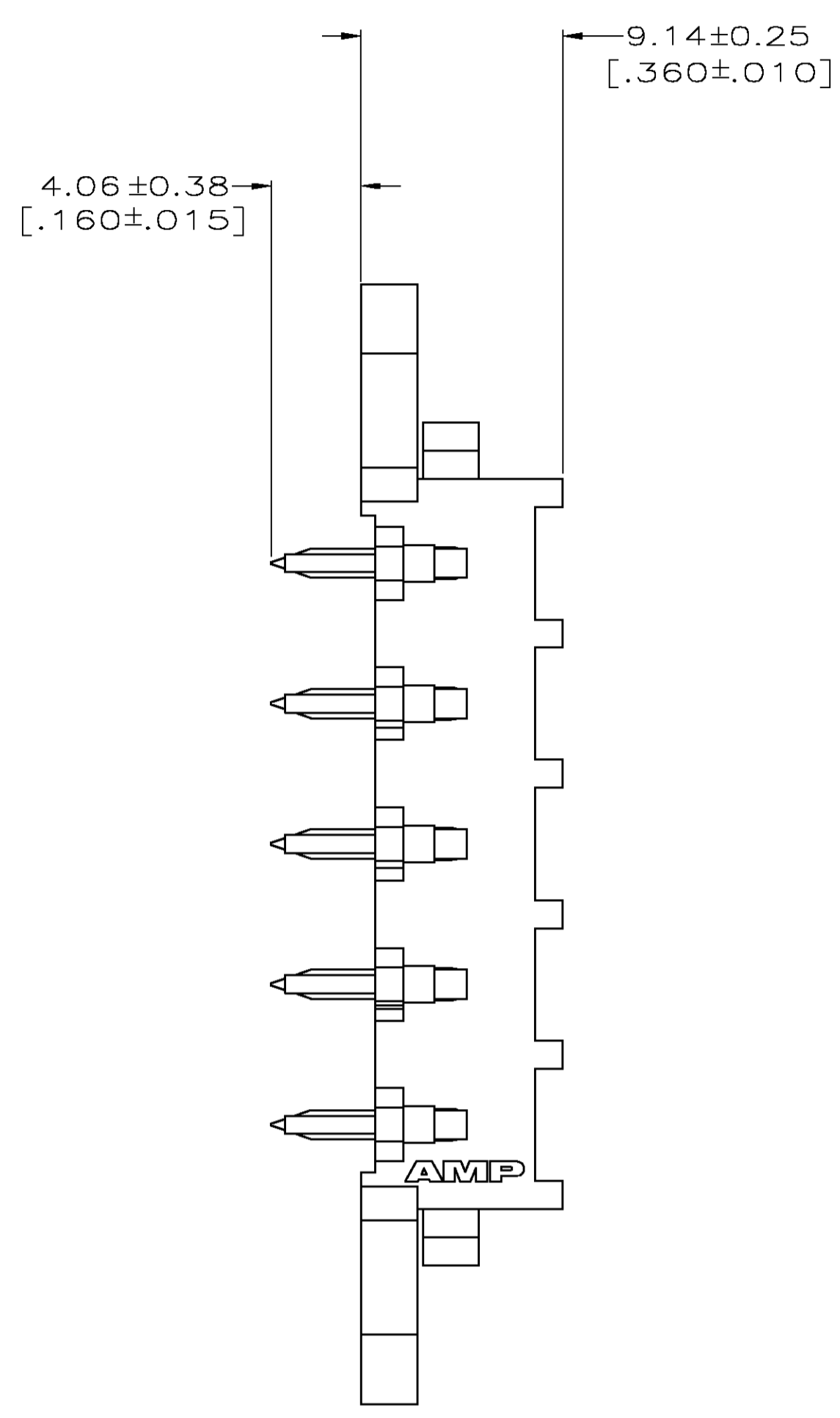
JAMECO[®]
ELECTRONICS

www.Jameco.com ♦ 1-800-831-4242

The content and copyrights of the attached
material are the property of its owner.

Jameco Part Number 740981

LOC		DIST		REVISIONS			
P	LR	DATE	BY	APVD	DATE	BY	APVD
L		21APR05	KW	SR	REVISED PER 063B-1094-04		



- PARTS COMPLY WITH AMP SOLDERABILITY SPECIFICATION 109-11-5.
- CIRCUIT IDENTIFICATION CHARACTERS ARE ADJACENT TO THE INDICATED CAVITIES, BUT LOCATION AND ORIENTATION MAY DIFFER FROM PRINT.
- CONTACT IS PLATED OVERALL WITH 0.00127 [.000050] MIN NICKEL, THEN 0.00076 [.000030] GOLD OVER CONTACT LENGTH INDICATED AND MATTE TIN LEAD FINISH ON SOLDER TAIL END.
- DIMENSIONS IN BRACKETS ARE IN INCHES.
- OPTIONAL CONSTRUCTION MAY DELETE THIS RIB.
- TOLERANCE NON-CUMULATIVE
- CONTACT IS PLATED OVERALL WITH 0.00127 [.000050] MIN NICKEL, THEN 0.00076 [.000030] GOLD OVER CONTACT LENGTH INDICATED AND MATTE TIN FINISH ON SOLDER TAIL END.

CONTACT	HOUSING	PART NO
PH BRZ GOLD	NYLON, UL94V-0	3-350945-0
PH BRZ GOLD	NYLON, UL94V-0	2-350945-0
PH BRZ TIN	NYLON, UL94V-0	1-350945-0

THIS DRAWING IS A CONTROLLED DOCUMENT.		DIN K. WHITAKER 21APR2005		Tyco Electronics Corporation	
DIMENSIONS: mm [INCHES]		CHK S. RIDGILL 21APR2005		Harrisburg, Pa 17105-3608	
TOLERANCES UNLESS OTHERWISE SPECIFIED:		APVD S. RIDGILL 21APR2005		NAME	
0 PLC	± -	PRODUCT SPEC		PIN HEADER ASSEMBLY, RIGHT ANGLE MOUNT, 5 POSITION, UNIVERSAL MATE-N-LOK (TM)	
1 PLC	± -	APPLICATION SPEC		SIZE	
2 PLC	± -	WEIGHT		CAGE CODE	
3 PLC	± 0.13 [.005]	CUSTOMER DRAWING		DRAWING NO	
4 PLC	± -	SCALE		SHEET	
5 PLC	± 0.30	SCALE 4:1		1 OF 1	
ANGLES	± 0.30	REV		L	
FINISH	SEE TABLE	A1 00779		C=350945	

RECOMMENDED MOUNTING HOLE PATTERN FOR .062 [1.57] THICK P.C. BOARD

