

Distributed by:

JAMECO[®]
ELECTRONICS

www.Jameco.com ♦ 1-800-831-4242

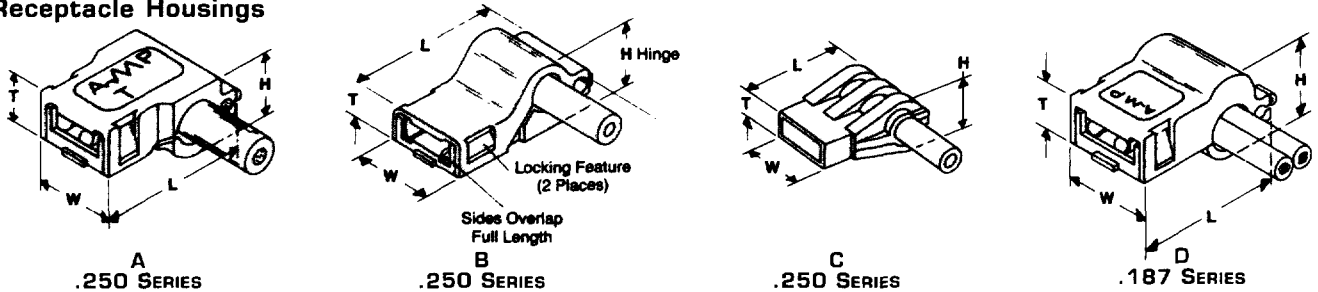
The content and copyrights of the attached
material are the property of its owner.

Jameco Part Number 741239

FASTON HOUSINGS

AMPIP
 Post-Insulation Pods

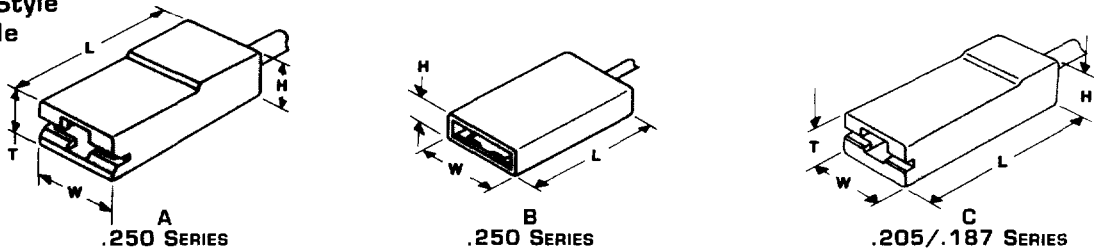
Flag Style
 Receptacle Housings



Style	Type	Material	UL 94 ¹	Color	Insulation Dia. Max.	Dimensions				Part Number	Accepts Terminals ²	UL	CS
						L	T	W	H				
A	Continuous Strip	Nylon	V2	Natural	.210	.787	.266	.448	.360	1-480298-0	"250" Series Flag FASTON Tab-Lok Receptacles 41531, 41532, 42511, 61156, 63445	X	X
	Loose Piece	Nylon	V2 Nat.	150 ³	.210	.787	.266	.448	.360	1-480307-1 1-480307-6			
B	Continuous Strip	Nylon	V2	Natural	.140 or (2) .110	.732	.180	.460	.315	1-480296-0	"250" Series Flag FASTON FCrimp Receptacle 60290, 60736, 62418	X	X
	Loose Piece	Nylon	V2	Natural	.140 or (2) .110	.732	.180	.460	.315	1-480306-1			
C	Loose Piece	Vinyl	HB	Blue	.150	.710	.210	.380	.400	480019-6	"250" Series Flag FASTON	—	—
D	Loose Piece	Nylon	V2	Natural	.175	.699	.230	.430	.320	1-480487-2	"187" Series Flag FASTON ³	X	—

¹Flammability rating of plastic material.
²For dimensions and plating, refer to Terminal Specifications on pages 10-30.
³Does not accept commercial series.

Straight Style
 Receptacle
 Housing



Style	Type	Material	UL 94 ¹	Color	Insulation Dia. Max.	Dimensions				Part Number	Accepts Terminals ²	UL	CS
						L	T	W	H				
A	Loose Piece	Nylon	V2	Natural	.200	.920	.260	.390	.298	1-480416-0	"250" Series FASTON Receptacles 41143, 41194, 41202, 41274, 41771, 41772, 42285, 42400, 42510, 42640, 42643, 60650, 60938, 61107, 61368, 61375, 63306, 63365	X	X
				Natural 150 ³	.200	.920	.260	.390	.298	1-480416-8			
				Black	.200	.920	.260	.390	.298	1-480416-1			
B	Loose Piece	Nylon	V2	Natural	.125	.955	—	.570	.190	1-480458-0	"250" Series FASTON Receptacles 42660, 42743, 42845, 61202	X	X
				Natural	.180	.775	.225	.338	.245	1-480418-0			
C	Loose Piece	Nylon	V2	Natural	.170	.775	.215	.308	.235	1-480435-0	"205" Series FASTON Receptacles 42197, 42198, 42710, 42712 ³ , 42713, 60804, 60523 "187" Series FASTON Receptacles 42373, 42374, 42452, 42453, 42617, 60487, 60573, 62137, 62138, 62187, 63475, 63477	X	X
				Natural	.170	.775	.215	.308	.235	1-480435-0			

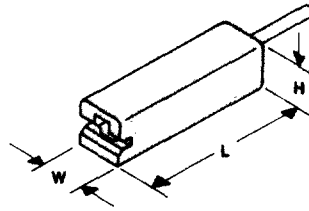
¹Flammability rating of plastic material.
²For dimensions and plating, refer to Terminal Specifications on pages 10-30.
³Except 42712-3.

FASTON HOUSINGS

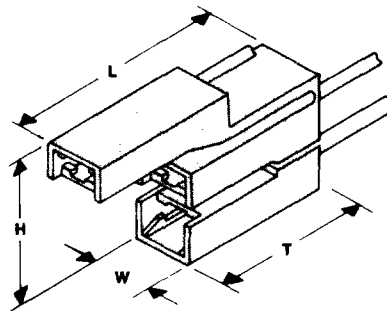
■ Quick-Change Applicator for AMP-O-LECTRIC Machine 565435-5.
 For AMPOMATOR Machine and other machines not listed, contact AMP Incorporated.

For drawings, technical data or samples, contact your AMP sales engineer or call the AMP Product Information Center: 1-800-522-6752.
 Dimensions are in inches and millimeters unless otherwise specified. Values in brackets are metric equivalents.
 Specifications subject to change. Consult AMP for latest specifications.

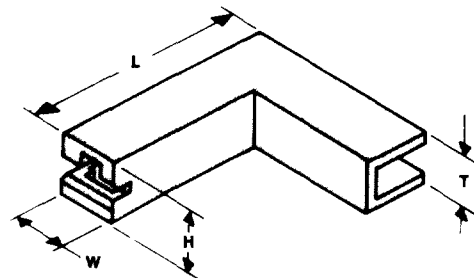
FASTON HOUSINGS (CONTINUED)



D
.110 SERIES



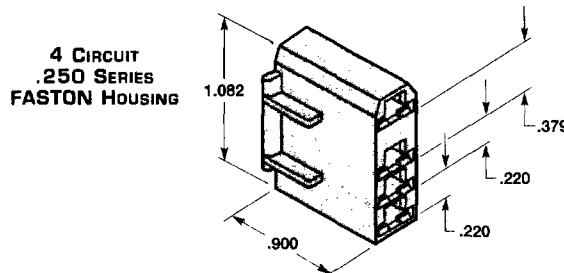
E
.187 SERIES



F
.110 SERIES

Style	Type	Material	UL 94 ¹	Color	Insulation Cls. Max.	Dimensions				Part Number	Accepts Terminals ²	M	C
						L	T	W	H				
D	Loose Piece	Nylon	V2	Natural	.150	.790	—	.235	.240	1-480417-0	"110" Series FASTON Receptacles 42067, 42608, 42236, 42398, 42399, 42415, 42804, 60118, 60197, 60577, X 60601, 60729, 61158, 61400, 61457, 61818, 62050, 62084, 62181, 62345	X	X
				Black	.150	.790	—	.235	.240				
E	Loose Piece	Nylon	V2	Natural	.170	1.655	.845	.317	.875	520212-1	"187" Series FASTON Receptacles 42452, 42453, 42373, 42374, 42617, 60487, X 60573, 62137, 62187	X	X
				Red	.170	1.655	.845	.317	.875	520212-2			
				Natural	.170	1.405	.845	.317	.875	360010-1			
				Red	.170	1.405	.845	.317	.875	360010-3			
F	Loose Piece	Nylon	V2	Natural	—	.550	.205	.225	.200	360040-1	"110" Series FASTON 61070, 61481, 62336	X	X

Defrost Timer Housing

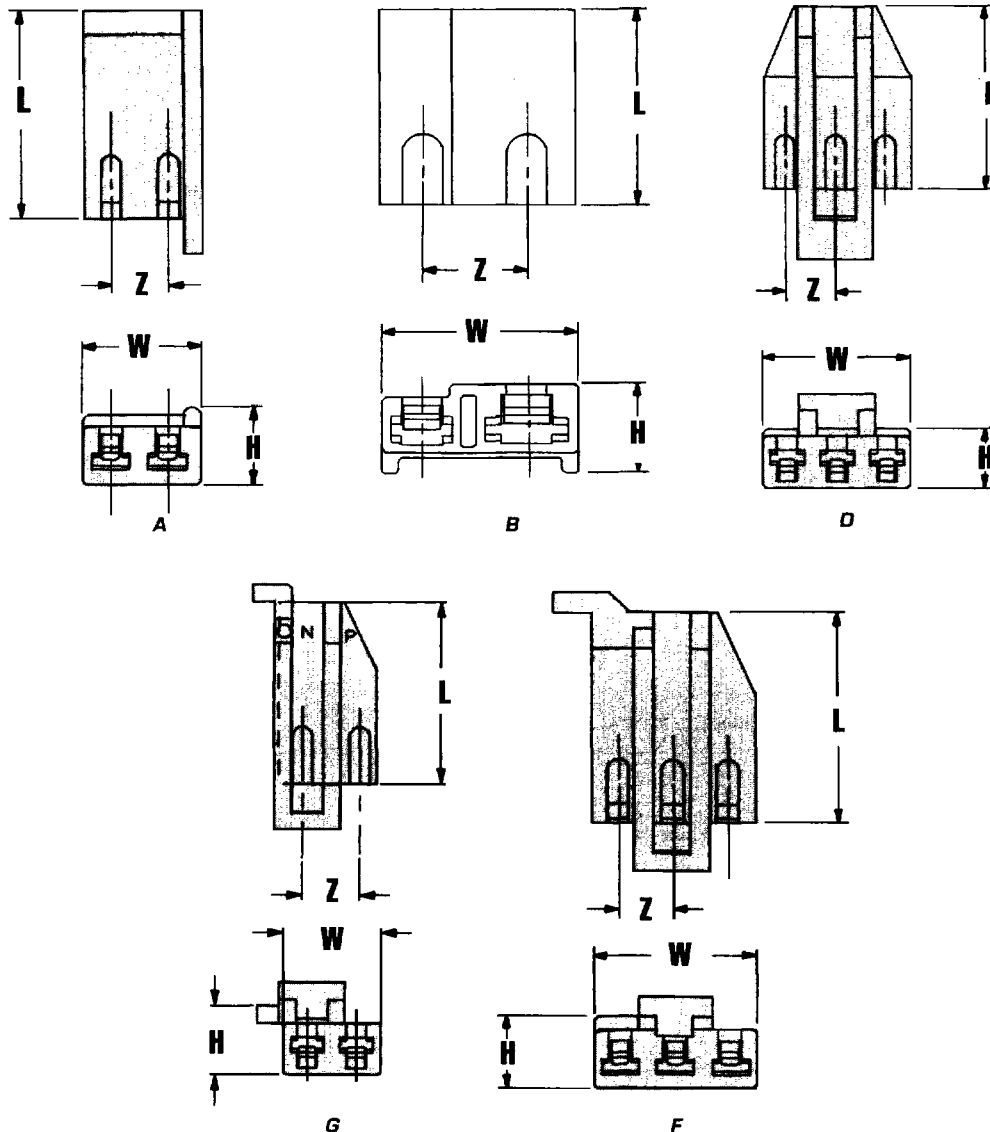


Material	UL 94 ¹	Color	Part Number	Accepts Terminals	M	C
Nylon	V2	Black	520987-1	.250 Low Insertion Terminals	X	X
		Natural	520987-2	.250 Low Insertion Terminals	X	X

¹Flammability rating of plastic material.

■ Quick-Change Applicator for AMP-O-LECTRIC Machine 565435-5.
For AMPOMATOR Machine and other machines not listed, contact AMP Incorporated.

FASTON HOUSINGS (CONTINUED)



Style	Material	UL 94 ¹	Color	Dimensions				Part Number	Accepts Terminals ²	UL	CSA
				Z	W	H	L				
A	Nylon	V2	Black	.224	.470	.305	.825	520206-2	62942, 63021, 63093, 42804	X	X
			Yellow	.224	.470	.305	.825	520206-3			
G	Nylon	V2	Black	.224	.444	.315	.827	520217-2	62942, 63021	X	X
			Natural	.224	.444	.315	.827	520217-4	63093, 42804		
D	Nylon	V2	Natural	.224	.666	.235	.825	520218-1	62942, 63021, 63093	X	X
			Black	.224	.666	.235	.825	520218-2			
F	Polyester	HB	Black	.224	.666	.235	.825	520218-4			
			Black	.224	.444	.315	.825	520220-2	63093, 42804	X	X
B	Nylon	V2	Natural	.400	.732	.340	.715	520171-1 ³	62965, 63645		
			Black	.400	.732	.340	.715	520171-2 ³	62965, 63645	X	X
			Yellow	.400	.732	.340	.715	520171-3 ³	62965, 63645, 63477, 63476		

¹Flammability rating of plastic material.

²For dimensions see AMP customer drawings.

³Accepts (1) .187 and (1) .250 receptacle.

FASTON Housings

■ Quick-Change Applicator for AMP-O-LECTRIC Machine 565435-5.
For AMPOMATOR Machine and other machines not listed, contact AMP Incorporated.

For drawings, technical data or samples, contact your AMP sales engineer or call the AMP Product Information Center: 1-800-522-6752. Dimensions are in inches and millimeters unless otherwise specified. Values in brackets are metric equivalents. Specifications subject to change. Consult AMP for latest specifications.