

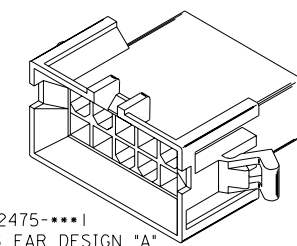
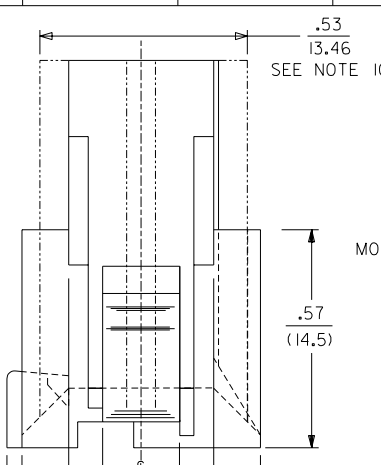
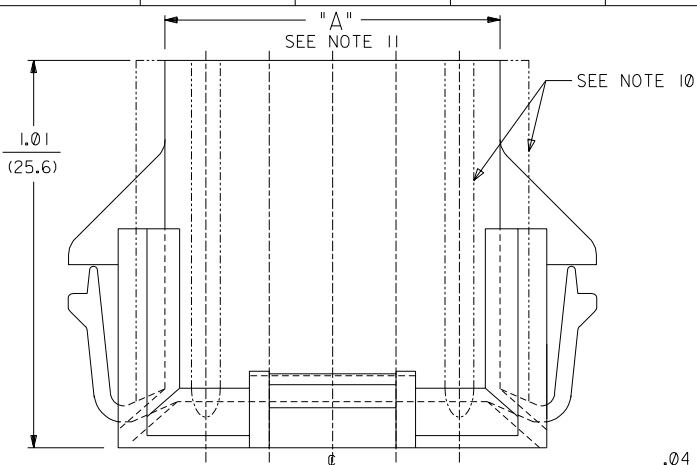
Distributed by:

JAMECO[®]
ELECTRONICS

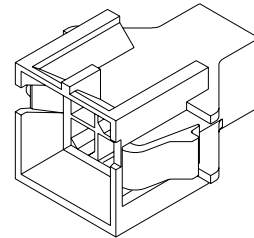
www.Jameco.com ♦ 1-800-831-4242

The content and copyrights of the attached
material are the property of its owner.

Jameco Part Number 741343

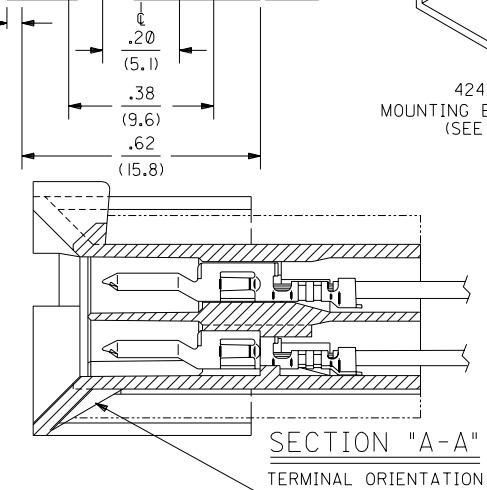
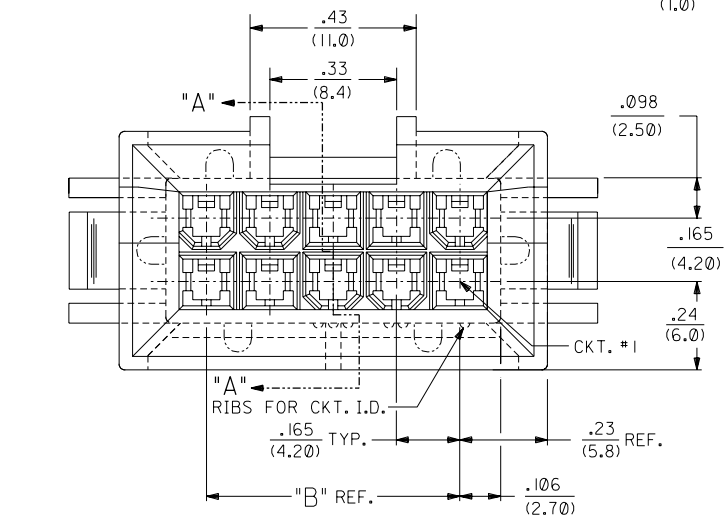


42475-***1
MOUNTING EAR DESIGN "A"
(SEE NOTE 9)



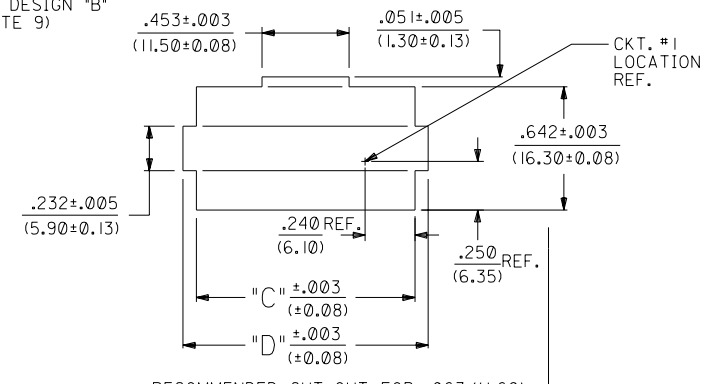
42475-***1
MOUNTING EAR DESIGN "B"
(SEE NOTE 9)

CIRCUIT SIZE	DIM. "A"	DIM. "B"	DIM. "C"	DIM. "D"
6	.54 (13.8)	.33 (8.4)	.807 (20.50)	.945 (24.00)
8	.71 (18.0)	.50 (12.6)	.972 (24.70)	1.110 (28.20)
10	.87 (22.2)	.66 (16.8)	1.138 (28.90)	1.276 (32.40)
12	1.04 (26.4)	.83 (21.0)	1.303 (33.10)	1.441 (36.60)
14	1.20 (30.6)	.99 (25.2)	1.469 (37.30)	1.606 (40.80)
16	1.37 (34.8)	1.16 (29.4)	1.643 (41.50)	1.772 (45.00)
18	1.54 (39.0)	1.32 (33.6)	1.799 (45.70)	1.937 (49.20)
20	1.70 (43.2)	1.49 (37.8)	1.965 (49.90)	2.102 (53.40)
22	1.87 (47.4)	1.65 (42.0)	2.130 (54.10)	2.268 (57.60)
24	2.03 (51.6)	1.82 (46.2)	2.295 (58.30)	2.433 (61.80)



SECTION "A-A"
TERMINAL ORIENTATION

SEE NOTE #13



RECOMMENDED CUT-OUT FOR .063/(1.60)
MAX. THICK P.C. BOARD. (6-24 CKT.'S.)

SCALE: 2X

SEE SHEET 2 FOR 2 & 4 CKT. PARTS

NOTES:

- 1) MATERIAL:
 - 1 = NYLON (PA6/6), UNFILLED, UL94 V-2, COLOR: NATURAL
 - 2 = NYLON (PA6/6), UNFILLED, UL94 V-0, COLOR: NATURAL
 - 3 = NYLON (PA6/6), UNFILLED, UL94 V-2, COLOR: BLACK
 - 4 = NYLON (PA6/6), UNFILLED, UL94 V-0, COLOR: BLACK
- 2) 6-24 CKT. PARTS MATE WITH MOLEX RECEPTACLES 5557, 42385 AND 42474. 2 AND 4 CKT. PARTS MATE WITH 42385 AND 42474 ONLY.
- 3) PART IS DESIGNED IN METRIC.
- 4) PART ALLOWS FOR UP TO .100/(2.54) MISALIGNMENT WITH MATING RECEPTACLE IN ANY DIRECTION. SEE MATING CONNECTOR DRAWINGS FOR SPECIFIC ALLOWANCES.

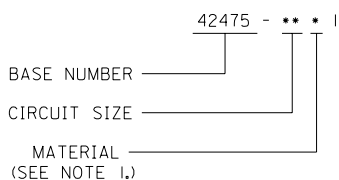
- 5) PART IS FOR USE WITH MALE TERMINAL #5558.
- 6) THIS PART CONFORMS TO MOLEX PRODUCT SPEC. NO. PS-5556-002.
- 7) CONNECTOR ASSEMBLIES ARE NOT TO BE MATED OR UNMATED WHILE CIRCUITS ARE LIVE.
- 8) PANEL CUT-OUT TO BE PUNCHED IN THE SAME DIRECTION AS CONNECTOR INSERTION.
- 9) PARTS MANUFACTURED AFTER 95/12/31 MAY HAVE MOUNTING EAR DESIGN "B". PARTS WITH MOUNTING EAR DESIGN "A" WILL BE OBSOLETE AS TOOL LIFE DICTATES. IN SOME CASES, PARTS MAY BE AVAILABLE WITH BOTH MOUNTING EAR DESIGNS.
- 10) FOR MANUFACTURING EASE PARTS MAY HAVE OPTIONAL EJECTOR RIBS. SEE SHT. 3 FOR LOCATION.
- 11) DIMENSION DOES NOT INCLUDE EJECTOR RIBS (SEE PAGE #3 FOR PARTS WITH RIBS, RIB DIMENSIONS AND LOCATION).
- 12) IF THIS PRODUCT IS STORED IN AN ENVIRONMENT WITH A RELATIVE HUMIDITY OF LESS THAN 50%, MOISTURE MUST BE ADDED AS PER THE FOLLOWING:
 - A) ADD 0.4 OZ. OF DEIONIZED WATER PER 1.0 LB. OF PRODUCT
 - B) RESEAL PLASTIC BAG AFTER MOISTURATION
- 13) INTERIOR RIB LOCATION MAY VARY.

4	Q10	R	REV. PICTORIALY UCP2004-0571 SCHAFER 03-10-07
3	R		
2	R	Q11	ADD 06/11 ON SHT 3 UCP2003-1243 POLGAR 02-11-20
1	R		

DIMENSIONS SHOWN (METRIC) INCH UNLESS OTHERWISE SPECIFIED TOLERANCES: ANGULAR ± .030 50		▽ = 0	▼ = 0	REVISE ONLY ON CAD SYSTEM								
<table border="1"> <tr> <th>INCH</th> <th>METRIC</th> </tr> <tr> <td>3 PLACE ± .010</td> <td>---</td> </tr> <tr> <td>2 PLACE ± .015</td> <td>± 0.25</td> </tr> <tr> <td>1 PLACE ---</td> <td>± 0.38</td> </tr> </table>		INCH	METRIC	3 PLACE ± .010	---	2 PLACE ± .015	± 0.25	1 PLACE ---	± 0.38	TITLE: PLUG HOUSING, B.M.I., 2 THRU 24 CIRCUITS, MINI-FIT SERIES PART NO. MOLEX INCORPORATED SHEET NO. DATE 60532 U.S.A. 1 OF 4 7/18/89 DRWG. NO. SD-42475-***1 FILE NAME: S42475MX1.DGN THIS DRAWING CONTAINS INFORMATION THAT IS PROPRIETARY TO MOLEX INC. AND SHOULD NOT BE USED WITHOUT WRITTEN PERMISSION.		
INCH	METRIC											
3 PLACE ± .010	---											
2 PLACE ± .015	± 0.25											
1 PLACE ---	± 0.38											
DRW. BY: GEP	CHK'D. BY: RJF	SCALE: 4:1	SEE SHT. 2	DIV. CP								

13		12		11		10		9		8		7		6		42475		4		3		2		1	
PART NUMBER	ENG. NUMBER	CKT. SIZE	MATERIAL (SEE NOTE 1.)	PART NUMBER	CKT. SIZE	MATERIAL (SEE NOTE 1.)	MOUNTING EAR TYPE		42475-***2I, 5558-GS*	42474-***2I, 5556-PBGS*P	94V-0	PHOS. BRZ.	GOLD												
							CKT. SIZE	DESIGN A, DESIGN B (SEE SHEET 1)																	
NOT TOOLED	42475-0211	2	I		2	3			42475-***1I, 5558-GS*	42474-***1I, 5556-PBGS*P	94V-2														
15-06-0045	42475-0411	4		42475-0431	4		2	N/A	42475-***2I, 5558-GS*	42474-***2I, 5556-GS*P	94V-0	BRASS	GOLD												
15-06-0065	42475-0611	6		42475-0631	6		4	B	42475-***1I, 5558-GS*	42474-***1I, 5556-GS*P	94V-2														
15-06-0085	42475-0811	8		42475-0831	8		6	B	42475-***2I, 5558-PBS*	42474-***2I, 5556-PBS*P	94V-0	PHOS. BRZ.	TIN												
15-06-0105	42475-1011	10		42475-1031	10		8	A	42475-***1I, 5558-PBS*	42474-***1I, 5556-PBS*P	94V-2														
NOT TOOLED	42475-1211	12			12		10	B	42475-***2I, 5558-S*	42474-***2I, 5556-S*P	94V-0	BRASS	TIN												
15-06-0145	42475-1411	14		42475-1431	14		12	N/A	42475-***1I, 5558-S*	42474-***1I, 5556-S*P	94V-2														
NOT TOOLED	42475-1611	16			16		14	B	42475-***2I, 5558-GS*	A-42385-***D2	94V-0	PHOS. BRZ.	GOLD												
15-06-0185	42475-1811	18		42475-1831	18		16	N/A	42475-***1I, 5558-GS*	A-42385-***C2	94V-2														
15-06-0205	42475-2011	20		42475-2031	20		18	A & B	42475-***2I, 5558-GS*	A-42385-***B2	94V-0	BRASS	GOLD												
NOT TOOLED	42475-2211	22			22		20	A	42475-***1I, 5558-GS*	A-42385-***A2	94V-2														
15-06-0245	42475-2411	24	I	42475-2431	24	3	22	N/A	42475-***2I, 5558-PBS*	A-42385-***D1	94V-0	PHOS. BRZ.	TIN												
							24	B	42475-***1I, 5558-PBS*	A-42385-***C1	94V-2														
NOT TOOLED	42475-0221	2	2		2	4			42475-***2I, 5558-S*	A-42385-***B1	94V-0	BRASS	TIN												
15-06-0046	42475-0421	4		42475-0441	4				42475-***1I, 5558-S*	A-42385-***A1	94V-2														
15-06-0066	42475-0621	6			6				PLUG HOUSING/ MALE TERMINAL		MATING CONNECTOR		HSG. MAT'L.	TERM. MAT'L.	PLATING										
NOT TOOLED	42475-0821	8			8				MATING CONNECTOR FEATURES																
15-06-0106	42475-1021	10		42475-1041	10																				
NOT TOOLED	42475-1221	12			12																				
15-06-0146	42475-1421	14		42475-1441	14																				
NOT TOOLED	42475-1621	16			16																				
15-06-0186	42475-1821	18		42475-1841	18																				
15-06-0206	42475-2021	20		42475-2041	20																				
NOT TOOLED	42475-2221	22			22																				
15-06-0246	42475-2421	24	2	42475-2441	24	4																			

LEGEND:



Q1	SEE SHEET #1
Q	SEE SHT. 1
Q10	SEE SHEET #1
Q9	SEE SHEET #1
Q7	SEE SHEET #1
Q3	SEE SHEET #1
Q2	SEE SHEET #1
LTR.	REVISIONS

O1	SEE SHEET #1
O	SEE SHT. 1
P1	SEE SHT. 1
P	SEE SHT. 1
O1	SEE SHT. 1
N1	SEE SHT. 1
N	SEE SHT. 1
LTR.	REVISIONS

DIMENSIONS SHOWN (METRIC) INCH
 UNLESS OTHERWISE SPECIFIED
 TOLERANCES: ANGULAR ± 0.5°

5 PLACE ± .010	---
2 PLACE ± .015	± 0.25
1 PLACE ---	± 0.38

DRAFT WHERE APPLICABLE MUST
 REMAIN WITHIN DIMENSIONS

DRWG. BY: GEP	CHK'D. BY: RJF
APP'D. BY: RAS	SCALE: 4:1

TITLE: PLUG HOUSING, B.M.I.,
 2 THRU 24 CIRCUITS,
 MINI-FIT SERIES

MOLEX INCORPORATED
 U.S.A.

SHEET NO. 4 DATE 7/18/89

PART NO. SD-42475-***I

THIS DRAWING CONTAINS INFORMATION THAT IS PROPRIETARY TO MOLEX INC. AND SHOULD NOT BE USED WITHOUT WRITTEN PERMISSION.