

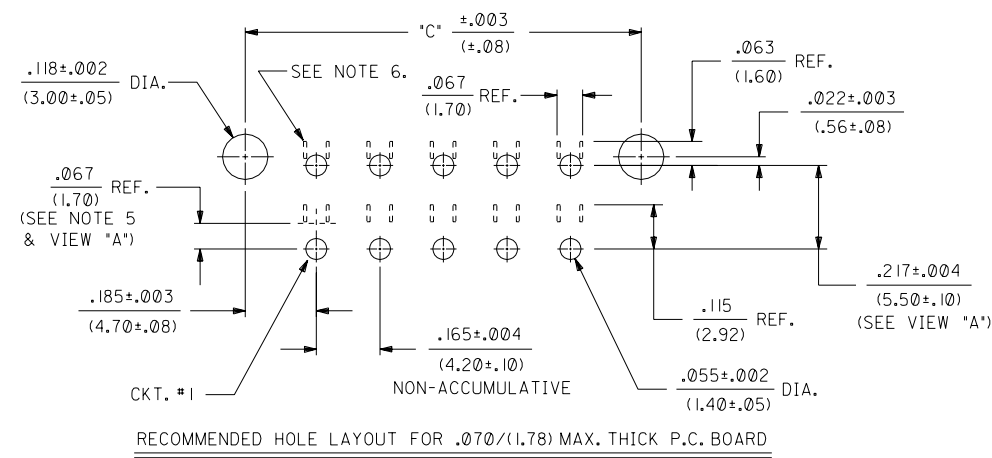
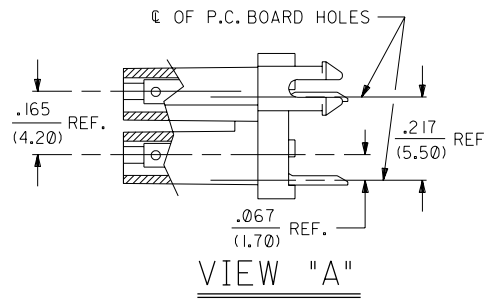
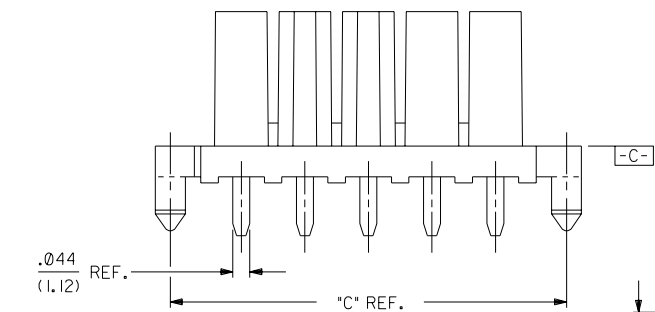
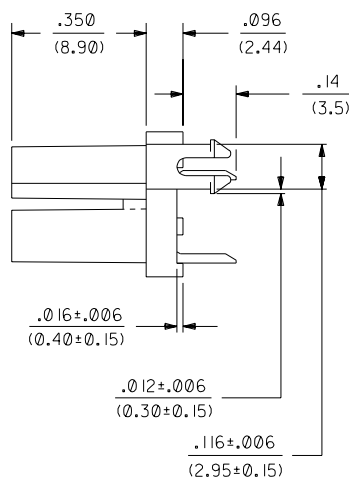
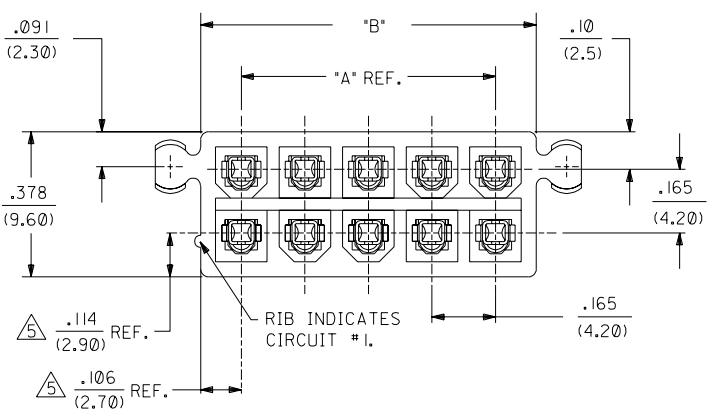
Distributed by:

JAMECO[®]
ELECTRONICS

www.Jameco.com ♦ 1-800-831-4242

The content and copyrights of the attached
material are the property of its owner.

Jameco Part Number 741474

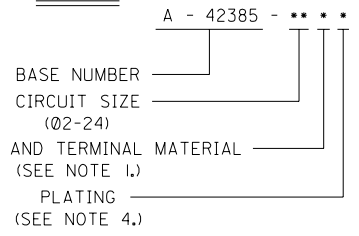


NOTES:

- 1) HOUSING AND TERMINAL MATERIAL:
 - A - HOUSING: NYLON 6/6, U.L. 94V-2, COLOR: NATURAL. TERMINAL: BRASS, ALLOY 260.
 - B - HOUSING: NYLON 6/6, U.L. 94V-0, COLOR: NATURAL. TERMINAL: BRASS, ALLOY 260.
 - C - HOUSING: NYLON 6/6, U.L. 94V-2, COLOR: NATURAL. TERMINAL: PHOS. BRONZE, ALLOY 510.
 - D - HOUSING: NYLON 6/6, U.L. 94V-0, COLOR: NATURAL. TERMINAL: PHOS. BRONZE, ALLOY 510.
- 2) PART MATES WITH MINI-FIT B.M.I. PLUG #42475, AND HEADERS 42404, 42440, 43879 AND 44068.
- 3) PART IS DESIGNED IN METRIC.
- 4) TERMINAL PLATING:
 - 1 - .000100/(.00254) MIN. BRIGHT TIN OVER .000050/(.00127) MIN. NICKEL.
 - *2 - .000030/(.00076) MIN. SELECT GOLD AND .000100/(.00254) MIN. SELECT MATTE TIN OVER .000050/(.00127) MIN. NICKEL OVERALL.
 - *3 - .000100/(.00254) MIN. TIN OVER .000050/(.00127) MIN. NICKEL.
 - *4 - .000050/(.00127) MIN. SELECT GOLD AND .000100/(.00254) MIN. SELECT MATTE TIN OVER .000050/(.00127) MIN. NICKEL OVERALL.
- *THE PRIMARY SHIPPING CARTON WILL BE LABELED "COMPLIANT TO RoHS DIRECTIVE 2002/95/EC AND ELV ANNEX II OF DIRECTIVE 2000/53/EC." CARTONS WITHOUT THIS LABEL MAY CONTAIN PRODUCT WITH TIN-LEAD PLATING.

- 5) DIMENSION TO BE USED FOR ALIGNMENT OF CKT. #1 OF MATING CONNECTOR.
- 6) PHANTOM LINES INDICATE AREAS WHERE TERMINAL STANDOFFS CONTACT P.C. BOARD.
- 7) A MAXIMUM TOLERANCE OF .050/(1.27) ALLOWS FOR 2 POINTS OF ELECTRICAL CONTACT. A MAXIMUM TOLERANCE OF .020/(.51) ALLOWS FOR 4 POINTS OF CONTACT.
- 8) .016/(.40) MAX. BOW PER INCH ALLOWABLE AT DATUM [C-].
- 9) PART ALLOWS FOR UP TO .100/(2.54) MISALIGNMENT WITH MATING CONNECTOR.
- 10) PRODUCT SPECIFICATION AND PROCESSING PARAMETERS: SEE PS-5556-002
- 11) CONNECTOR ASSEMBLIES ARE NOT TO BE MATED OR UNMATED WHILE CIRCUITS ARE LIVE.
- 12) TRAY PACK PER PK-42385-999

LEGEND:



CIRCUIT SIZE	DIM. "A"	DIM. "B"	DIM. "C"
2	—	.21 (5.4)	.370 (9.40)
4	.165 (4.20)	.38 (9.6)	.535 (13.60)
6	.331 (8.40)	.54 (13.8)	.701 (17.80)
8	.496 (12.60)	.71 (18.0)	.866 (22.00)
10	.661 (16.80)	.87 (22.2)	1.031 (26.20)
12	.827 (21.00)	1.04 (26.4)	1.197 (30.40)
14	.992 (25.20)	1.20 (30.6)	1.362 (34.60)
16	1.157 (29.40)	1.37 (34.8)	1.528 (38.80)
18	1.323 (33.60)	1.54 (39.0)	1.693 (43.00)
20	1.488 (37.80)	1.70 (43.2)	1.858 (47.20)
22	1.654 (42.00)	1.87 (47.4)	2.024 (51.40)
24	1.819 (46.20)	2.03 (51.6)	2.189 (55.60)

DIMENSIONS SHOWN (METRIC) INCH	
3 PLAGE ± .010	---
2 PLAGE ± .015	± .25
1 PLAGE ---	± .38

RECEPTACLE HEADER ASSEMBLY (MINI-FIT B.M.I. SERIES)

MOLEX INCORPORATED

FILE NAME: 54423851.DWG

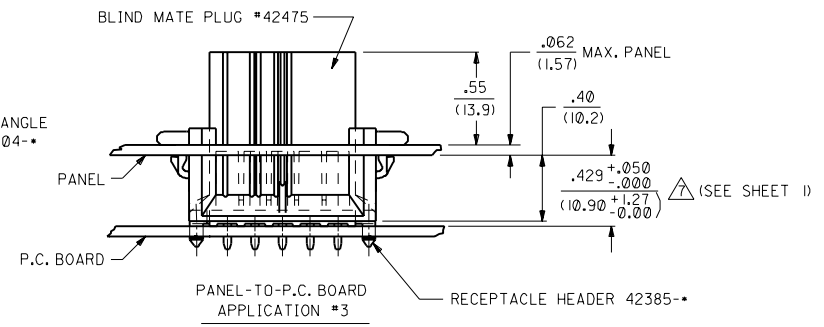
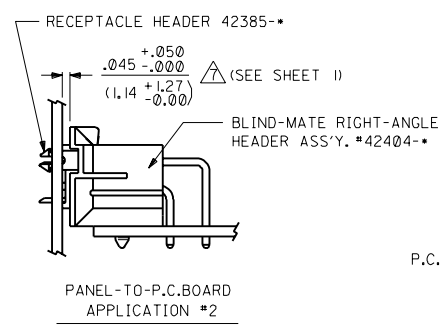
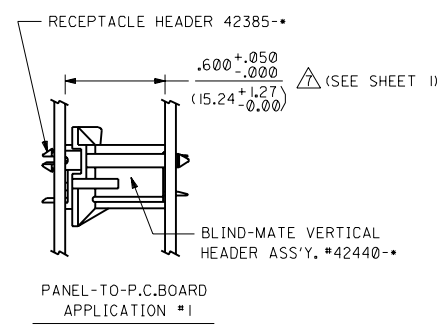
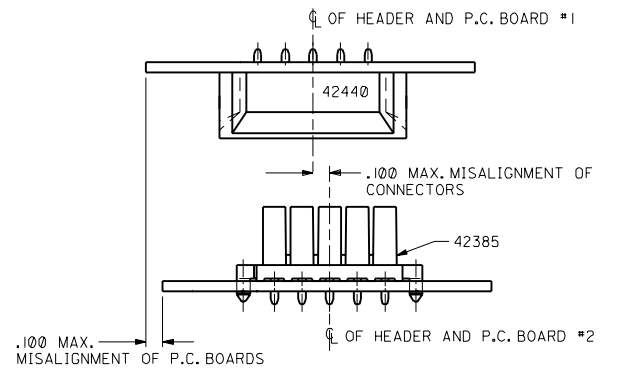
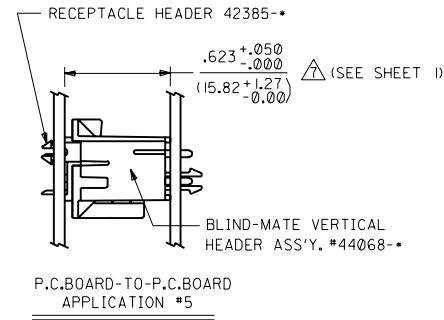
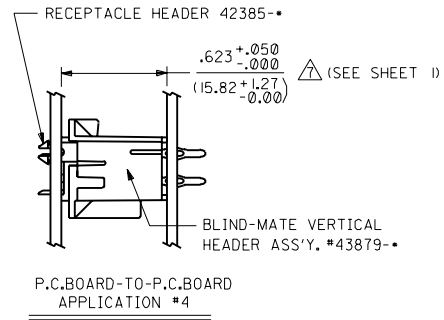
DATE: 12/9/88

REV: 4

MFG.	SH.	REV.	LTR.	REVISIONS
W				REMOVED TIN-LEAD. ECN #UCP2004-1884 CAMPBELL 04-03-30
VI				ADD PART#15-24-7067 ECN #UCP2003-2467 CSTEWARD,03-05-22
V				REV PS NOTE UCP2003-0395 9/3/2002 SAMIEC
4	W	T7		ADD PACK SPEC UCP2003-0182 7/29/2002 SAMIEC
3	W			
2	T5	T6		ADD EDP NO. UCR2002-0230 BANDURA 01/09/10
1	W			

13 12 11 10 9 8 7 6 42385 4 3 2 1

J
I
H
G
F
E
D
C
B
A



42385

		K	SEE SHT. 11	DIMENSIONS SHOWN METRIC INCH		▽ = 0 ▼ = 0		REVISE ONLY ON CAD SYSTEM	
		G	SEE SHT. 11	UNLESS OTHERWISE SPECIFIED TOLERANCES ANGLES ARE 1/2°		TITLE		RECEPTACLE HEADER ASSEMBLIES (MINI-FIT B.M.I. SERIES)	
		F1	SEE SHT. 11	INCH METRIC		PART NO.		MOLEX INCORPORATED	
T5	SEE SHT. 11	E1	SEE SHT. 11	3 PLACE ± .015	---	L15LEJLL		69532	
T1	SEE SHT. 11	E	SEE SHT. 11	2 PLACE ± -- ± .38	---	SHEET NO.		2	
S	SEE SHT. 11	D1	SEE SHT. 11	1 PLACE --- ± --	---	DATE		12 / 9 / 88	
R3	SEE SHT. 11	A	SEE SHT. 11	DRAFT WHERE APPLICABLE MUST REMAIN WITHIN DIMENSIONS		DRAWING NO.		SDA-42385--	
LTR.	REVISIONS	LTR.	REVISIONS	DRWG. BY: RJF		CHK'D. BY: JTR		SEE CHART.	
				APP'D. BY: RAS		SCALE: 4 : 1		FILE NAME: S4423852	
								THIS DRAWING CONTAINS INFORMATION THAT IS PROPRIETARY TO MOLEX INC. AND SHOULD NOT BE USED WITHOUT WRITTEN PERMISSION	

13 12 11 10 9 8 7 6 5 4 3 2 1

A

