

Distributed by:

**JAMECO**<sup>®</sup>  
ELECTRONICS

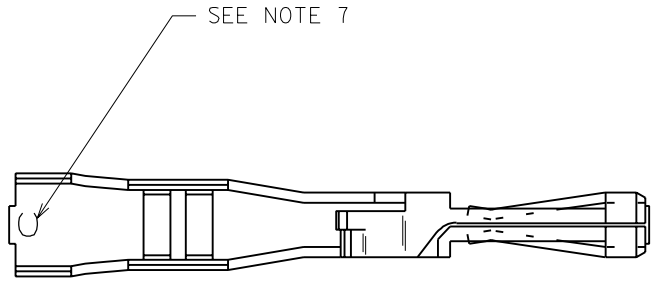
**www.Jameco.com ♦ 1-800-831-4242**

The content and copyrights of the attached  
material are the property of its owner.

Jameco Part Number 741693

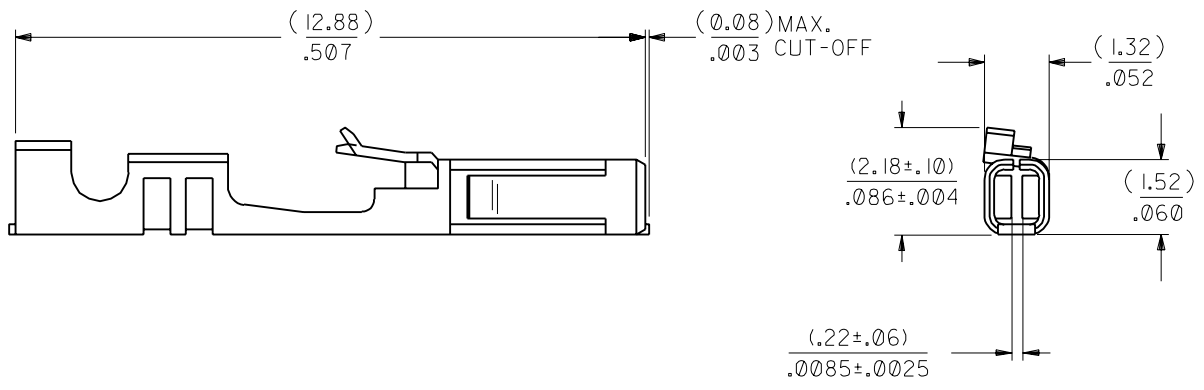
**NOTES:**

1. TERMINAL TO BE USED IN HOUSINGS 70066-\*\*\*\* AND 70450-\*\*\*\*
2. REFER TO PRODUCT SPECIFICATION PS-70058
3. REFER TO MOLEX OPERATIONS AND SERVICE MANUAL FOR CRIMP DETAILS
4. TERMINAL TO BE USED WITH (0.64)/.025 SQUARE PINS
5. TERMINAL TO BE USED WITH 22-24 AWG STRANDED WIRE WITH (1.63)/.064 MAX. DIA. INSULATION
6. TERMINALS SUPPLIED IN REEL FORM
7. CRIMP SIZE INDICATOR C=22-24 AWG



**PLATING:**

.000030 MIN. GOLD PLATE IN SELECT AREA,  
 .000075 MIN. TIN/LEAD PLATE IN SELECT AREA,  
 OVER NICKEL PLATE OVERALL.



				DI		REVISED ECR #U80270 MCGRATH 97/07/31		DIMENSIONS SHOWN (METRIC) INCH UNLESS OTHERWISE SPECIFIED TOLERANCES: ANGULAR = 1/2°		▽ = 0 ▼ = 0 REVISION ONLY ON CAD SYSTEM																	
				D		REVISE PER ECR# U82218 11-07-88 MJM/MGB		<table border="1"> <tr> <th colspan="2">INCH</th> <th colspan="2">METRIC</th> </tr> <tr> <td>3 PLACE</td> <td>± .005</td> <td colspan="2">---</td> </tr> <tr> <td>2 PLACE</td> <td>± .01</td> <td>± 0.13</td> <td></td> </tr> <tr> <td>1 PLACE</td> <td>---</td> <td>± 0.25</td> <td></td> </tr> </table>		INCH		METRIC		3 PLACE	± .005	---		2 PLACE	± .01	± 0.13		1 PLACE	---	± 0.25		TITLE TERMINAL - BOX/CRIMP	
INCH		METRIC																									
3 PLACE	± .005	---																									
2 PLACE	± .01	± 0.13																									
1 PLACE	---	± 0.25																									
D2		ADD CRP SIZE&NOTE 7 ECN UDT1998-0183 MQWANG 04/17/98		C		REDRAWN & REVISED PER ECR #U81133 03/02/88 MJM/JAS		DRAFT WHERE APPLICABLE MUST REMAIN WITHIN DIMENSIONS		<table border="1"> <tr> <td>MOLEX</td> <td colspan="2">MOLEX INCORPORATED</td> <td>SHEET NO.</td> <td>DATE</td> </tr> <tr> <td>LISLE,ILL.</td> <td>60532</td> <td>U.S.A.</td> <td>1 OF 1</td> <td>03/02/88</td> </tr> </table>		MOLEX	MOLEX INCORPORATED		SHEET NO.	DATE	LISLE,ILL.	60532	U.S.A.	1 OF 1	03/02/88						
MOLEX	MOLEX INCORPORATED		SHEET NO.	DATE																							
LISLE,ILL.	60532	U.S.A.	1 OF 1	03/02/88																							
LTR.		REVISIONS		LTR.		REVISIONS		<table border="1"> <tr> <td>DRWG. BY</td> <td>JAS</td> <td>CHK'D. BY</td> <td></td> </tr> <tr> <td>APP'D. BY</td> <td></td> <td>SCALE</td> <td>10: 1</td> </tr> </table>		DRWG. BY	JAS	CHK'D. BY		APP'D. BY		SCALE	10: 1	<table border="1"> <tr> <td>PART NO.</td> <td>FILE NAME</td> <td>DIV.</td> <td>SIZE</td> </tr> <tr> <td>016-02-0088</td> <td>S70058C7 DGN</td> <td>DA</td> <td>B</td> </tr> </table>		PART NO.	FILE NAME	DIV.	SIZE	016-02-0088	S70058C7 DGN	DA	B
DRWG. BY	JAS	CHK'D. BY																									
APP'D. BY		SCALE	10: 1																								
PART NO.	FILE NAME	DIV.	SIZE																								
016-02-0088	S70058C7 DGN	DA	B																								
THIS DRAWING CONTAINS INFORMATION THAT IS PROPRIETARY TO MOLEX INC. AND SHOULD NOT BE USED WITHOUT WRITTEN PERMISSION.																											

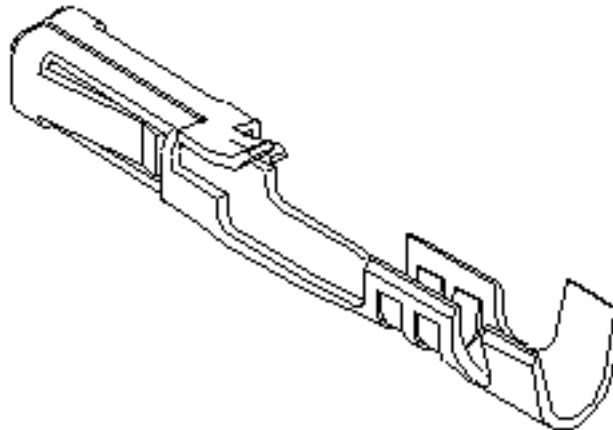
[English](#)
[Spanish](#)
[French](#)
[Italian](#)
[German](#)
[Chinese \(simplified\)](#)
[Japanese](#)
[Korean](#)

**Datasheet****Terminals P/N****SL™ Crimp Terminal 70058, 22-24 AWG, Reel Selective Gold (Au)**

[ [Home](#) > [Products](#) > [Terminals P/N](#) > Datasheet ]

[Help](#)

# 16-02-0088



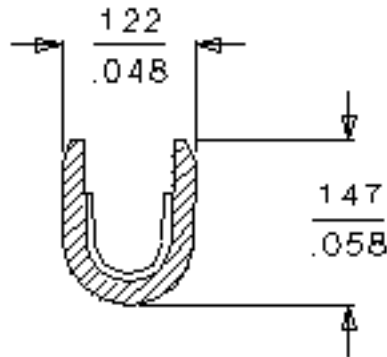
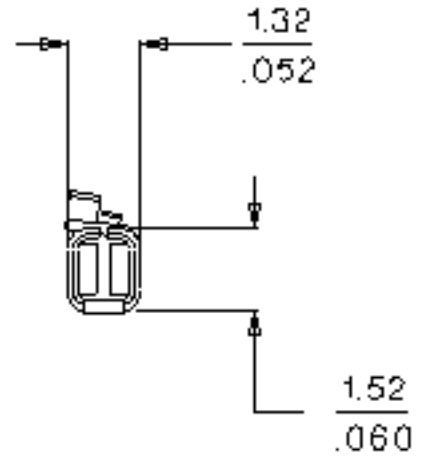
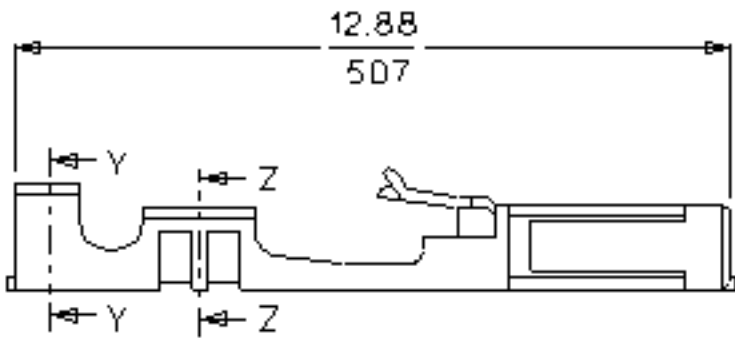
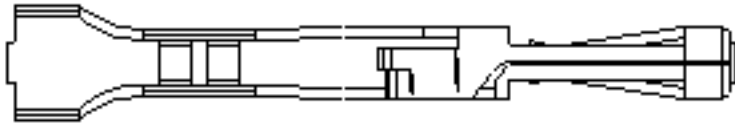
<a href="#">Product Name</a>	SL™
<a href="#">Series</a>	70058
<a href="#">Gender</a>	Female
<a href="#">Wire Size [AWG]</a>	24, 22
Insulation Diameter-max	1.63mm (.064")
<a href="#">Packaging</a>	Reel
<a href="#">Plating Contact</a>	Selective Gold (Au)
<a href="#">Plating Thickness</a>	0.76µm (30µ")
<a href="#">Under Plating</a>	Nickel (Ni) 50
<a href="#">Plating Code</a>	1
Contact Material	*
US Distributor	*
<a href="#">990 Catalog Page</a>	A-28
<a href="#">MX01 Catalog Page</a>	C-7
Marketing Series and Version	70058

### Related Products

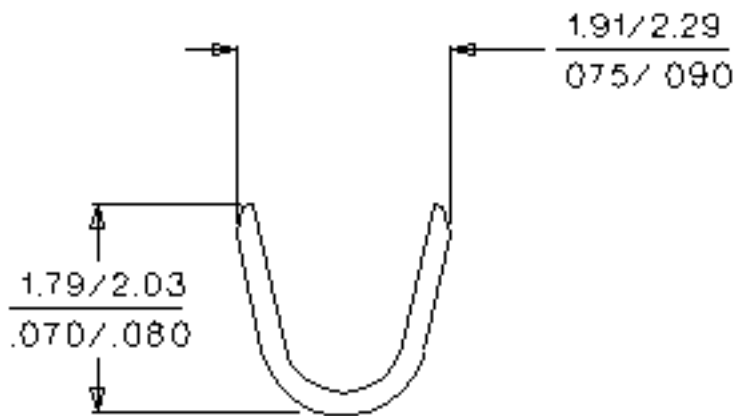
#### Application Tooling

Part Number	Region	Product Description
<a href="#">11-01-0208</a>	Americas	Hand Crimper
<a href="#">11-02-0022</a>	Americas	Insertion Tool
<a href="#">11-03-0036</a>	Americas	Extraction Tool
<a href="#">63850-2100</a>	Americas	T2 Terminator Die
<a href="#">63860-2100</a>	Americas	FineAdjust Applicator
<a href="#">69015-7045</a>	Europe	Applicator
<a href="#">69037-1148</a>	Europe	Mini-Mac Fully Tooled

[More Application Tooling](#)



SECTION Z-Z



SECTION Y-Y

[ © Copyright 2001 Molex Incorporated ]