

Distributed by:

**JAMECO**<sup>®</sup>  
ELECTRONICS

**www.Jameco.com ♦ 1-800-831-4242**

The content and copyrights of the attached  
material are the property of its owner.

Jameco Part Number 741917

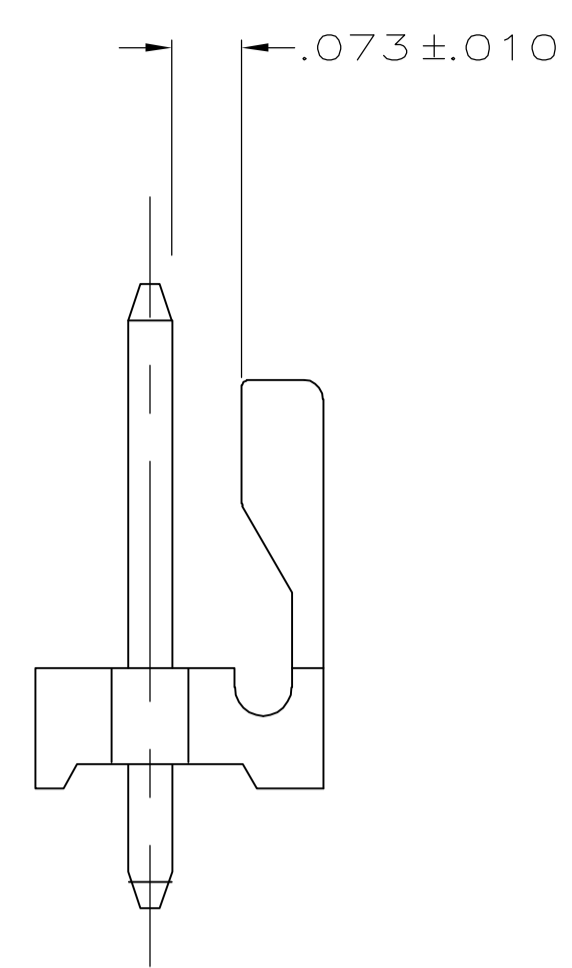
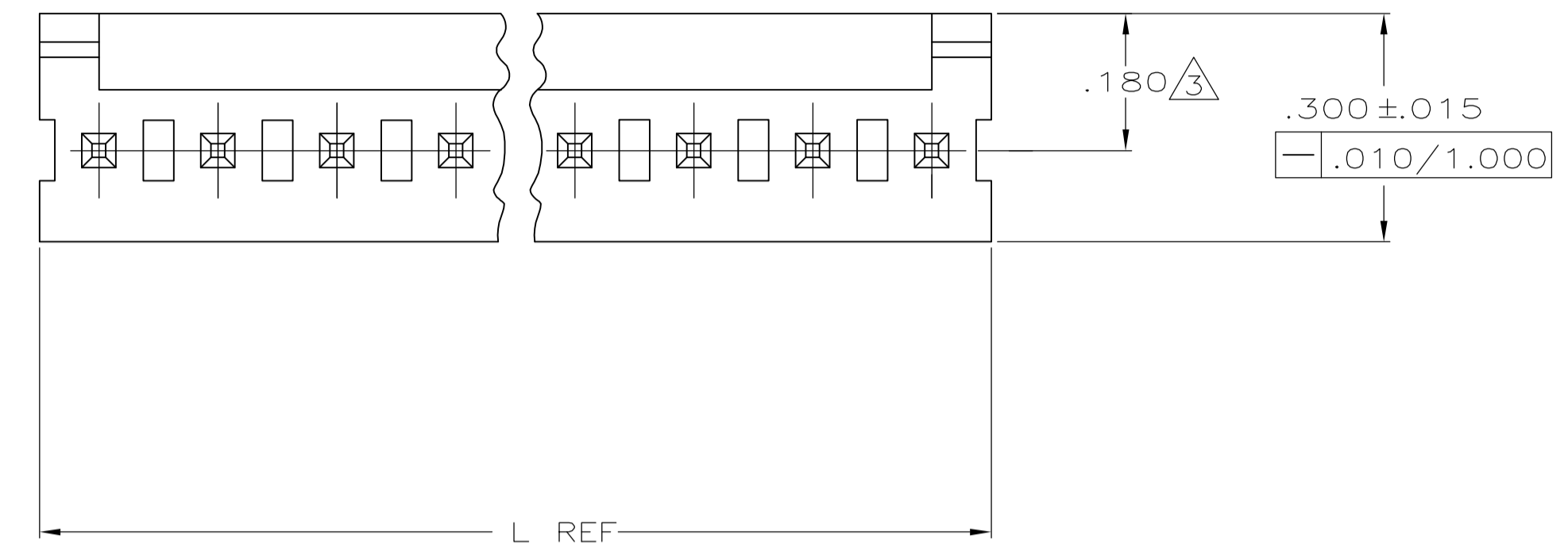


FIG 2

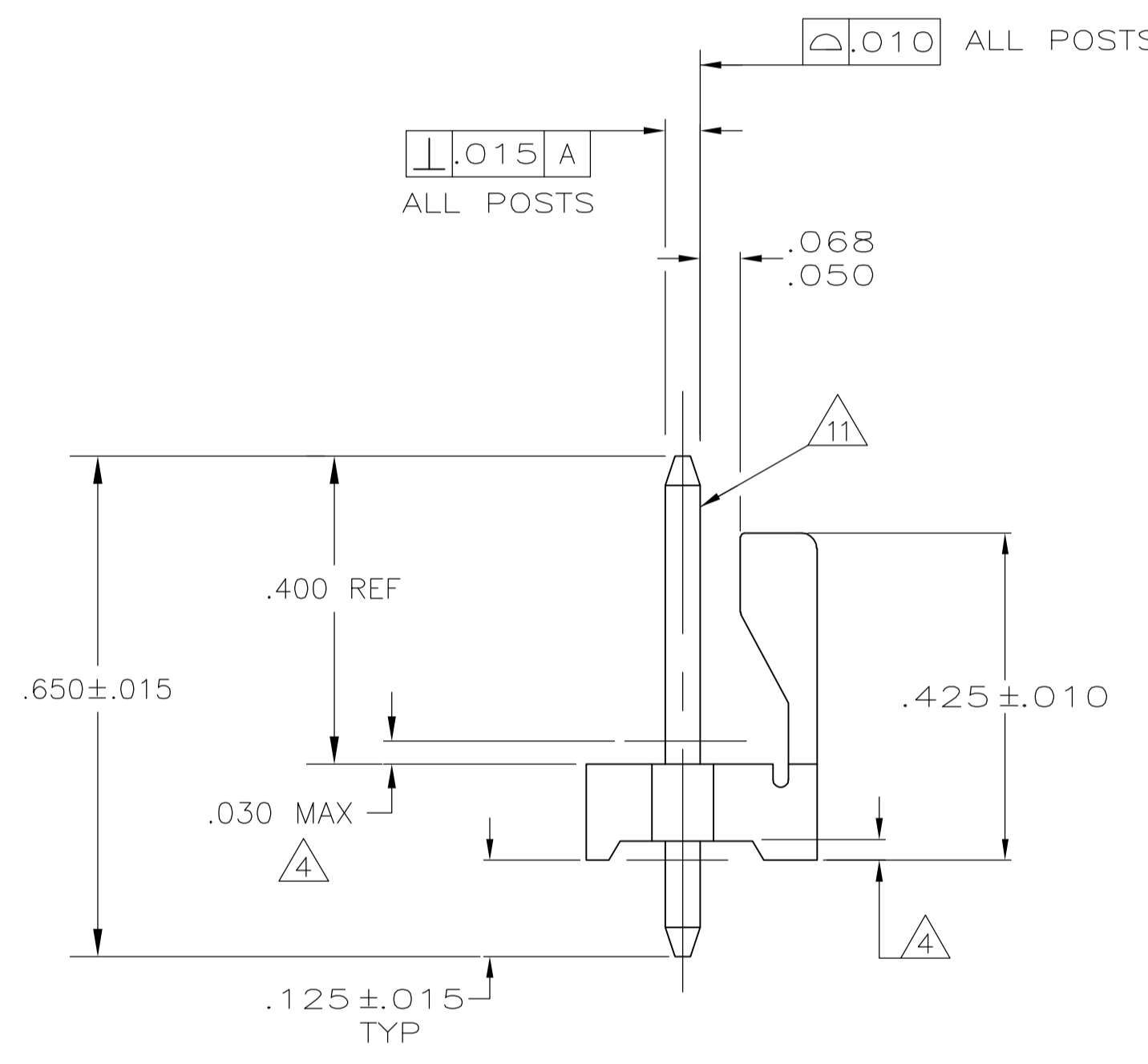
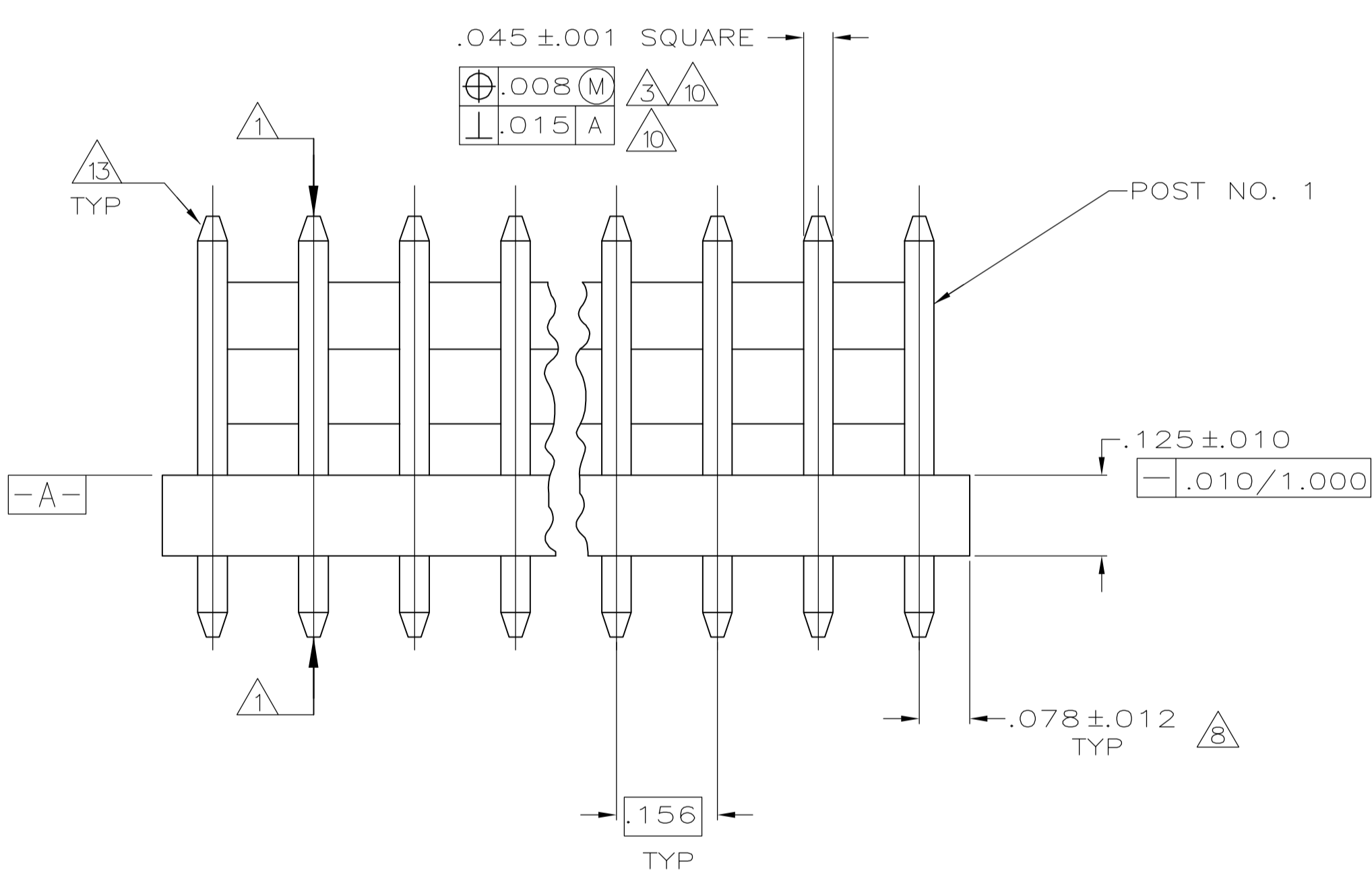
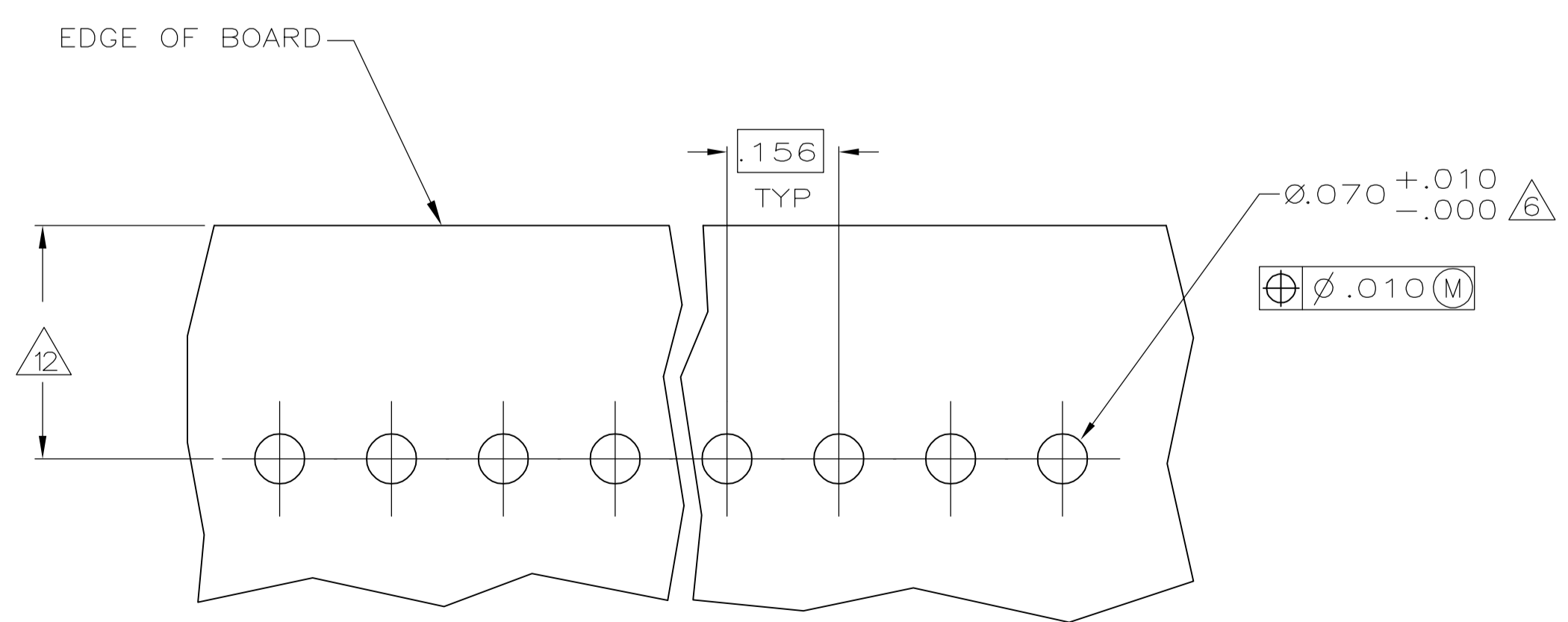


FIG 1



RECOMMENDED MOUNTING HOLE PATTERN FOR .063 THICK P.C. BOARD

- 1. POST TO WITHSTAND 13 NEWTONS (3LBS.) MIN. AXIAL FORCE IN BOTH DIRECTIONS SHOWN WITHOUT DISLODGING.
- 2. TOLERANCES APPLY TO SOLDER SIDE OF BOARD.
- 3. MEASURED AT SURFACE -A-
- 4. PLASTIC FLASH PERMITTED IN THIS AREA.
- 5. PARTS COMPLY WITH AMP SOLDERABILITY SPEC. NO. 109-11-2.
- 6. ONE HOLE MAY BE UNDERSIZED (.065/.060 DIA.) FOR ASSEMBLY RETENTION DURING WAVE SOLDERING.
- 7. MATERIAL: HEADER-THERMOPLASTIC POLYESTER GLASS-FILLED 94V-0(NATURAL)(FIG.2) POST-COPPER ALLOY (TIN PLATED)  
 MATERIAL: HEADER-THERMOPLASTIC POLYESTER NON-FILLED 94V-0(NATURAL)(FIG.1) POST-COPPER ALLOY (TIN PLATED)
- 8. COORDINATE DIMENSION APPLIES FROM CENTER OF ACTUAL FEATURE.
- 9. PLASTIC BURRS CAUSED BY CUT-OFF TOOLING ARE PERMITTED WITHIN THE MAXIMUM TOLERANCE ENVELOPE.
- 10. POST TO BE MEASURED WHEN STRIP IS HELD FLAT.
- 11. POST MUST WITHSTAND TWO 90° BENDS AGAINST EXTRUSION WITHOUT BREAKING.
- 12. DIMENSION SHOULD BE .175 MIN WHEN MATING WITH A MTA 156 CONNECTOR ASSEMBLY OR A SL-156 CONNECTOR ASSEMBLY.
- 13. PIN BURR OF .005 MAX. VERTICAL AND .003 MAX. HORIZONTAL PERMITTED AT POST TIPS ON BOTH ENDS.
- 14. SPECIAL PACKAGING VARIATION FOR IMPROVED PRODUCT PROTECTION.

| 14      | 1  | 31.70 | 1.248               | 8           | 3-640445-8 |
|---------|----|-------|---------------------|-------------|------------|
|         | 2  | 95.10 | 3.744               | 24          | 2-640445-4 |
|         |    | 91.14 | 3.588               | 23          | 2-640445-3 |
|         |    | 87.17 | 3.432               | 22          | 2-640445-2 |
|         |    | 83.21 | 3.276               | 21          | 2-640445-1 |
|         |    | 79.25 | 3.120               | 20          | 2-640445-0 |
|         |    | 75.29 | 2.964               | 19          | 1-640445-9 |
|         |    | 71.32 | 2.808               | 18          | 1-640445-8 |
|         |    | 67.36 | 2.652               | 17          | 1-640445-7 |
|         |    | 63.40 | 2.496               | 16          | 1-640445-6 |
|         |    | 59.44 | 2.340               | 15          | 1-640445-5 |
|         |    | 55.47 | 2.184               | 14          | 1-640445-4 |
|         |    | 51.51 | 2.028               | 13          | 1-640445-3 |
|         |    | 47.55 | 1.872               | 12          | 1-640445-2 |
|         |    | 43.59 | 1.716               | 11          | 1-640445-1 |
|         |    | 39.62 | 1.560               | 10          | 1-640445-0 |
|         | 2  | 35.66 | 1.404               | 9           | 640445-9   |
|         | 1  | 31.70 | 1.248               | 8           | 640445-8   |
|         |    | 27.74 | 1.092               | 7           | 640445-7   |
|         |    | 23.77 | .936                | 6           | 640445-6   |
|         |    | 19.81 | .780                | 5           | 640445-5   |
|         |    | 15.85 | .624                | 4           | 640445-4   |
|         |    | 11.89 | .468                | 3           | 640445-3   |
|         | 1  | 7.92  | .312                | 2           | 640445-2   |
| FIG NO. | MM | [IN]  | NUMBER OF POSITIONS | PART NUMBER |            |

| METRIC |      |       |       |
|--------|------|-------|-------|
| [IN]   | MM   | [IN]  | MM    |
| .068   | 1.73 | 1.000 | 25.40 |
| .065   | 1.65 | .700  | 17.78 |
| .063   | 1.60 | .450  | 11.43 |
| .060   | 1.52 | .425  | 10.80 |
| .045   | 1.14 | .400  | 10.16 |
| .030   | 0.76 | .300  | 7.62  |
| .015   | 0.38 | .180  | 4.57  |
| .012   | 0.30 | .175  | 4.45  |
| .010   | 0.25 | .156  | 3.96  |
| .008   | 0.20 | .125  | 3.18  |
| .005   | 0.13 | .078  | 1.98  |
| .003   | 0.08 | .073  | 1.85  |
| .001   | 0.03 | .070  | 1.78  |

THIS DRAWING IS A CONTROLLED DOCUMENT.

|                    |  |         |         |         |         |         |          |
|--------------------|--|---------|---------|---------|---------|---------|----------|
| DIMENSIONS: INCHES | TOLERANCES UNLESS OTHERWISE SPECIFIED: | 0 PLC ± | 1 PLC ± | 2 PLC ± | 3 PLC ± | 4 PLC ± | ANGLES ± |
|                    |  | ±       | ±       | ±       | ±       | ±       | ±        |
|                    |  |         |         |         |         |         |          |

MATERIAL: FINISH: WEIGHT: CUSTOMER DRAWING

APPROVED: D. ROSSI

DATE: 05-NOV-2002

NAME: MTA-156 HEADER ASSEMBLY, FRICTION LOCK, STRAIGHT .045 SQUARE POST, TIN PLATED

SIZE: A1

SCALE: 5:1

SHEET: 1 OF 1

REV: Z