

Distributed by:

**JAMECO**<sup>®</sup>  
ELECTRONICS

**www.Jameco.com ♦ 1-800-831-4242**

The content and copyrights of the attached  
material are the property of its owner.

Jameco Part Number 742012

### Housings, Free Hanging or Panel Mount

**Product Specification:**  
Centerline spacing—.165 [4.19]

**Material:**

**Housing**—Nylon, Natural Color-  
Brick Red  
**Flammability Rating**—UL94V-0

**Related Product Data:**

**Performance Characteristics**—  
page 9068

**Panel Cutout Recommendations**—  
page 9073

**Contacts**—page 9070

**Keying Plug**—page 9070

**Strain Reliefs**—page 9074

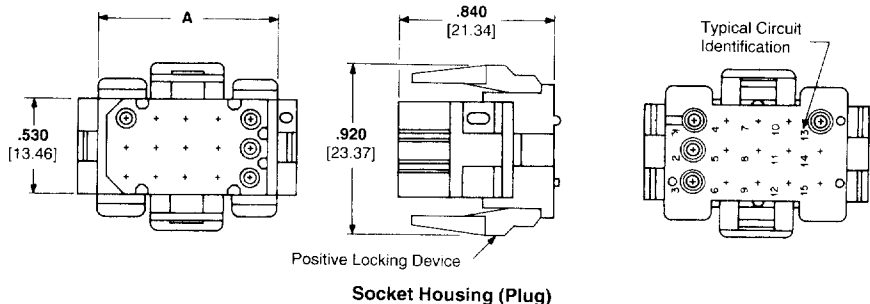
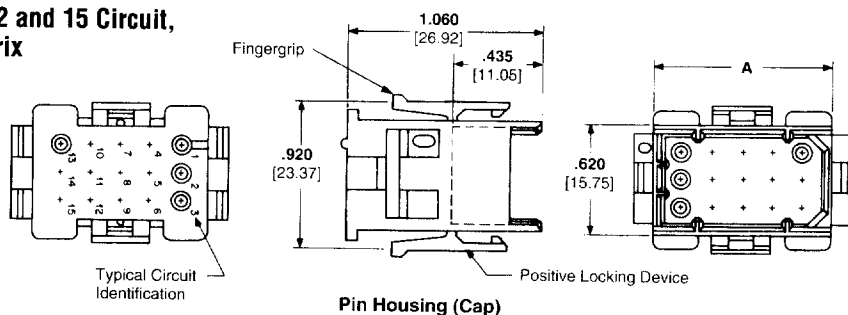
**Commoning Bar**—page 9074

**Mating Headers**—pages 9075 thru  
9076

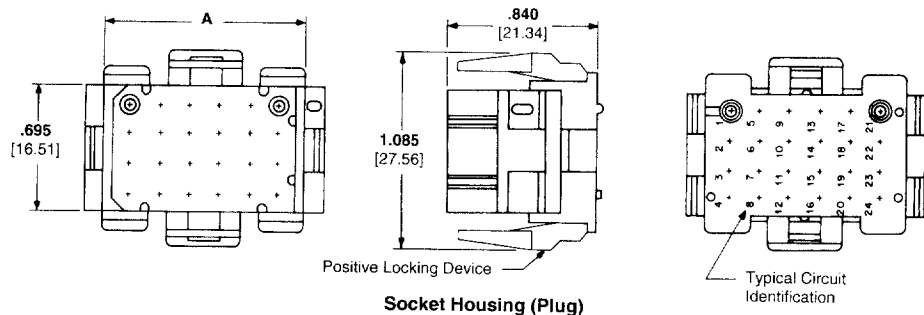
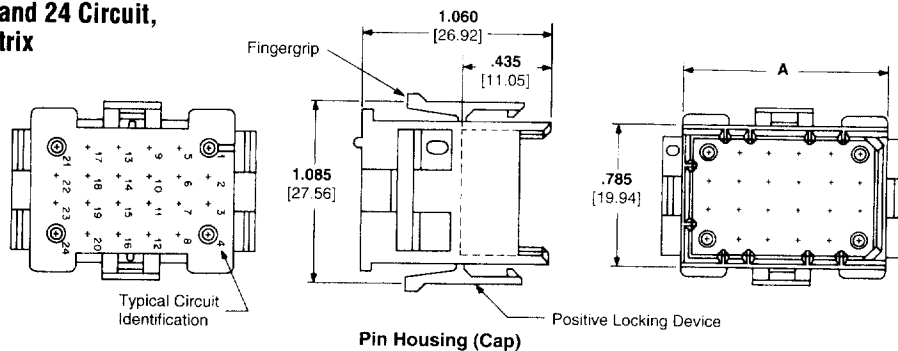
**Technical Document:** page 9068 and  
9080

**Product Specification**  
108-1022 (MR) Miniature Rectangular  
Connectors

#### 9, 12 and 15 Circuit, Matrix



#### 20 and 24 Circuit, Matrix



Number of Circuits	A Dim.	Part Numbers	
		Pin Housing (Cap)	Socket Housing (Plug)
9	.620 15.75	1-640511-0	1-640521-0
12	.785 19.94	1-640512-0	1-640522-0
15	.950 24.13	1-640513-0	1-640523-0
20	.950 24.13	1-640514-0	1-640524-0
24	1.115 28.32	1-640515-0	1-640525-0

For complete product information,  
order Catalog 82181