

Distributed by:

JAMECO[®]
ELECTRONICS

www.Jameco.com ♦ 1-800-831-4242

The content and copyrights of the attached
material are the property of its owner.

Jameco Part Number 742055

Housings, Free Hanging or Panel Mount

Product Specification:
Centerline spacing—.165 [4.19]

Material:
Housing—Nylon, Natural Color-
Brick Red
Flammability Rating—UL94V-0

Related Product Data:

Performance Characteristics —
page 9068

Panel Cutout Recommendations —
page 9073

Contacts — page 9070

Keying Plug — page 9070

Strain Reliefs — page 9074

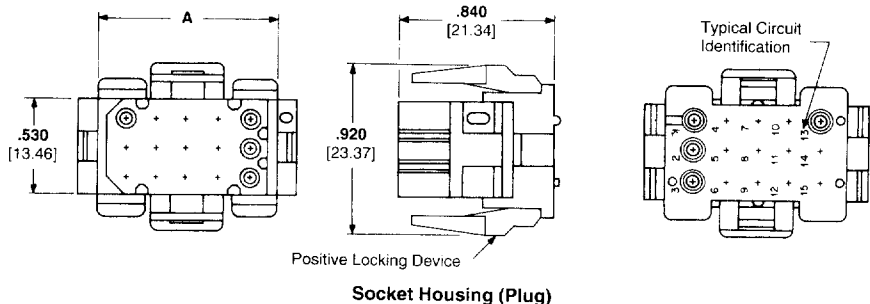
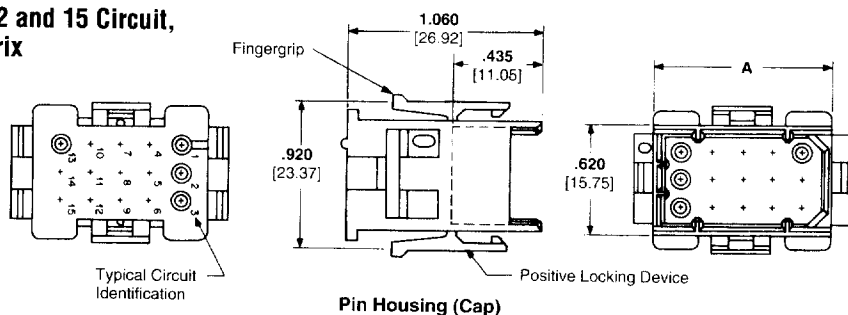
Commoning Bar — page 9074

Mating Headers — pages 9075 thru
9076

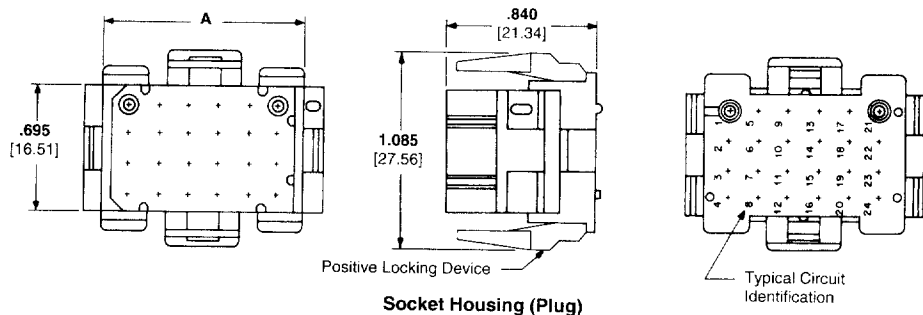
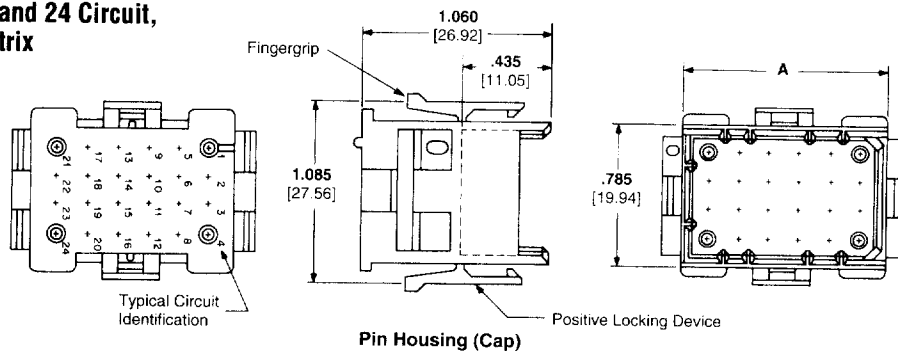
Technical Document: page 9068 and
9080

Product Specification
108-1022 (MR) Miniature Rectangular
Connectors

9, 12 and 15 Circuit, Matrix



20 and 24 Circuit, Matrix



Number of Circuits	A Dim.	Part Numbers	
		Pin Housing (Cap)	Socket Housing (Plug)
9	.620 15.75	1-640511-0	1-640521-0
12	.785 19.94	1-640512-0	1-640522-0
15	.950 24.13	1-640513-0	1-640523-0
20	.950 24.13	1-640514-0	1-640524-0
24	1.115 28.32	1-640515-0	1-640525-0

For complete product information,
order Catalog 82181